

- BMF Mounting clamp
- BMF 21
- Aluminum
- Black anodized

General attributes

| | |
|----------------------|---|
| Application | BMF 21 |
| Area of application | Piston diameter: any Pneumatic cylinder with integrated tie rods (profile) Pneumatic cylinder with tie rods |
| Basic standard | Dimensional allowance: DIN ISO 2768 m |
| Mounting instruction | 827287 |
| Scope of delivery | Mounting clamp Mounting parts |

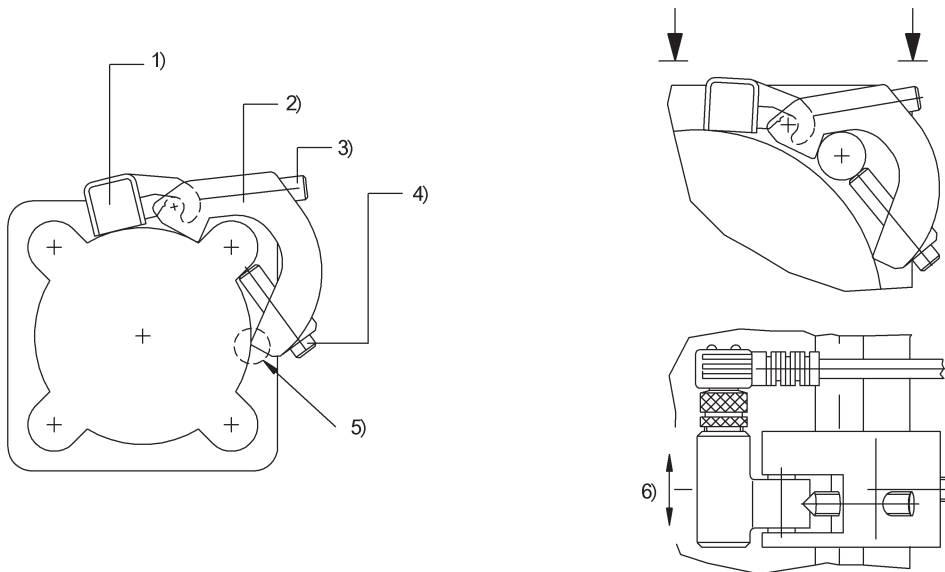
Mechanical attributes

| | |
|-----------------------------|---|
| Ambient temperature Ta max. | 85 °C |
| Ambient temperature Ta min. | -40 °C |
| Clamping range | max. 17.0 mm |
| Material | Aluminum |
| Mounting of holder | Grubscrew ISO 4026 M5x20-A2 or M5x25-A2 |
| Mounting of sensor | Grubscrew ISO 4026 M5x20-A2 |
| Surface protection | Black anodized |

Additional text

Magnetic field sensor can be replaced without removing the mounting bracket.
Long threaded pin: tie rod $\varnothing < 12$ mm
Short threaded pin: tie rod $\varnothing > 12$ mm / profile width 10...17 mm.

Electrical attributes



1) Magnetic field sensor 2) Mounting bracket 3) Sensor mount 4) Mount. bracket fixation 5) Bracket abutting 6) Fine adjustment ± 1 mm