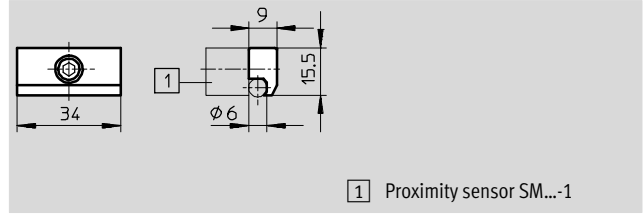


# Proximity sensors, block design

Accessories

## Mounting kit SMB-1

Material:  
Die-cast zinc

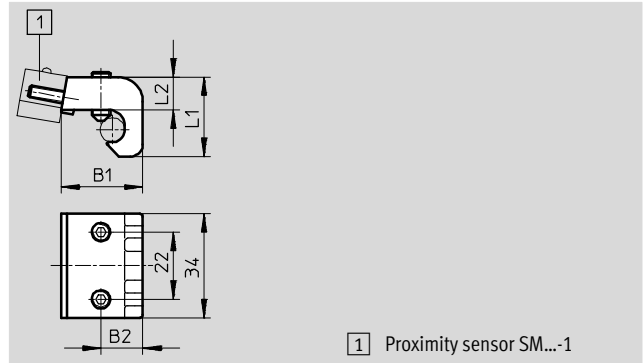


1 Proximity sensor SM...-1

Dimensions and ordering data		
For piston Ø	Part No.	Type
32 ... 100	11886	SMB-1

## Mounting kit SMB-2-B/SMB-3-B

Material:  
Die-cast aluminium

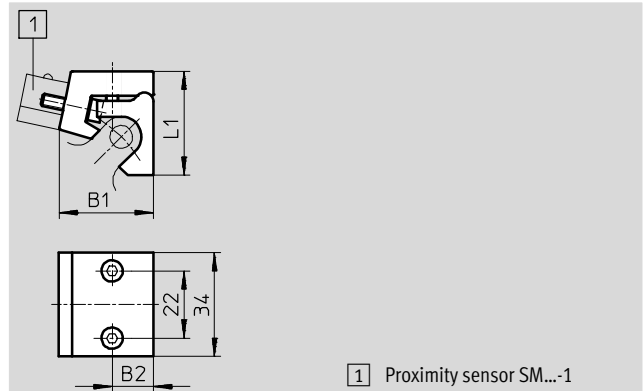


1 Proximity sensor SM...-1

Dimensions and ordering data						
For piston Ø	B1	B2	L1	L2	Part No.	Type
32 ... 50	18	11	23	11.6	36162	SMB-2-B
63 ... 100	26.8	13.7	26	10.8	36163	SMB-3-B

## Mounting kit SMBU

Material:  
Die-cast aluminium



1 Proximity sensor SM...-1

Dimensions and ordering data					
For piston Ø	B1	B2	L1	Part No.	Type
32 ... 50	19	8.5	30	36173	SMBU-1-B <sup>1)</sup>
63 ... 100	31	13.5	34	36174	SMBU-2-B <sup>1)</sup>
125	31	13.5	37	152828	SMBU-3-B

1) Free of copper and PTFE