

SLB[®]

REGISTERED IN U.S.A

GENERAL CATALOGUE

**Power Transmission Division
Product Information Manual**

SLB[®]

REGISTERED IN U.S.A

GENERAL CATALOGUE

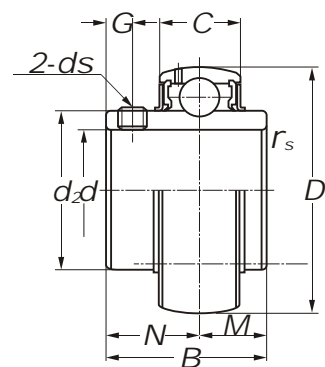
Pillow block

Plummer block

Stainless housing

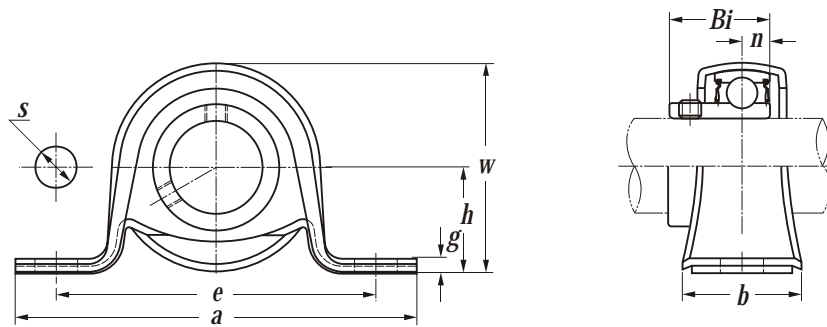
Plastic housing

Stainless steel spherical insert bearing





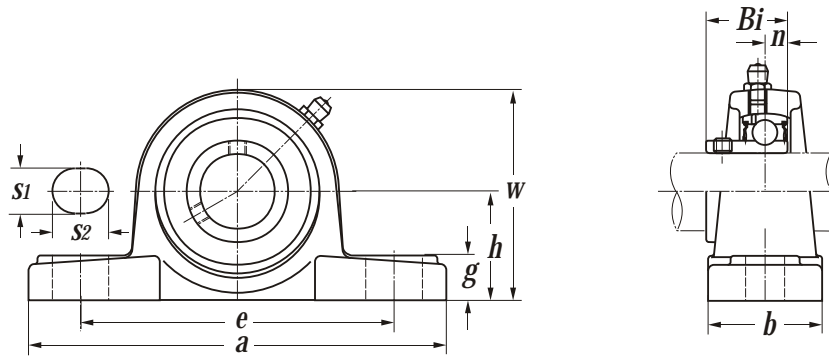
Technical Information



Shaft dia. mm inch	Unit number	Nominal dimensions mm inch									Bolt size mm inch	Bearing number	Housing number	Mass of unit Kg
		<i>h</i>	<i>a</i>	<i>e</i>	<i>b</i>	<i>s</i>	<i>g</i>	<i>w</i>	<i>Bi</i>	<i>n</i>				
12 1/2	SBPP 201	22.2	86	68	25	9.5	3.2	43.8	22	6.0	M8	SB 201	PP 203	0.17
	SBPP 201-8	7/8	3-25/64	2-43/64	63/64	3/8	1/8	1-23/32	0.8661	0.2362	5/16	SB 201-8	PP 203	0.17
15 9/16 5/8	SBPP 202	22.2	86	68	25	9.5	3.2	43.8	22	6.0	M8	SB 202	PP 203	0.16
	SBPP 202-9	7/8	3-25/64	2-43/64	63/64	3/8	1/8	1-23/32	0.8661	0.2362	5/16	SB 202-9	PP 203	0.16
	SBPP 202-10											SB 202-10		0.16
17 11/16	SBPP 203	22.2	86	68	25	9.5	3.2	43.8	22	6.0	M8	SB 203	PP 203	0.15
	SBPP 203-11	7/8	3-25/64	2-43/64	63/64	3/8	1/8	1-23/32	0.8661	0.2362	5/16	SB 203-11	PP 203	0.15
20 3/4	SBPP 204	25.4	98	76	32	9.5	3.2	50.5	25	7.0	M8	SB 204	PP 204	0.22
	SBPP 204-12	1	3-55/64	2-63/64	1-17/64	3/8	1/8	1-63/64	0.9843	0.2756	5/16	SB 204-12	PP 204	0.24
25 13/16 7/8 15/16 1	SBPP 205	28.6	108	86	32	11.5	4	56.6	27	7.5	M10	SB 205	PP 205	0.31
	SBPP 205-13	1-1/8	4-1/4	3-25/64	1-17/64	29/64	5/32	2-15/64	1.0630	0.2953	3/8	SB 205-13	PP 205	0.34
	SBPP 205-14											SB 205-14		0.33
	SBPP 205-15											SB 205-15		0.32
	SBPP 205-16											SB 205-16		0.30
SBPP 206	33.3											117		95
1-1/16	SBPP 206-17	1-5/16	4-39/64	3-47/64	1-1/2	29/64	5/32	2-39/64	1.1417	0.3150	3/8	SB 206-17	PP 206	0.47
1-1/8	SBPP 206-18											SB 206-18		0.46
1-3/16	SBPP 206-19											SB 206-19		0.44
1-1/4	SBPP 206-20											SB 206-20		0.43
35 1-1/4 1-5/16 1-3/8 1-7/16	SBPP 207	39.7	129	106	42	11.5	4.6	78.0	32	8.5	M10	SB 207	PP 207	0.61
	SBPP 207-20	1-9/16	5-5/64	4-11/64	1-21/32	29/64	3/16	3-5/64	1.2598	0.3543	3/8	SB 207-20	PP 207	0.66
	SBPP 207-21											SB 207-21		0.65
	SBPP 207-22											SB 207-22		0.64
	SBPP 207-23											SB 207-23		0.60



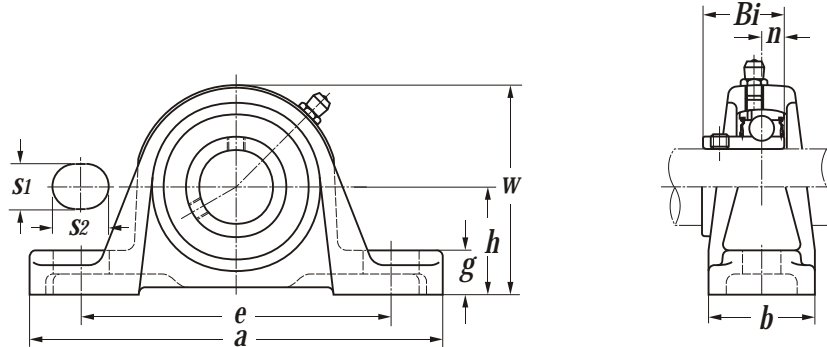
Technical Information



Shaft dia. mm inch	Unit number	Nominal dimensions mm inch										Bolt size mm inch	Bearing number	Housing number	Mass of unit Kg
		<i>h</i>	<i>a</i>	<i>e</i>	<i>b</i>	<i>s</i> ₁	<i>s</i> ₂	<i>g</i>	<i>w</i>	<i>Bi</i>	<i>n</i>				
20 3/4	SBAK 204	31.8	128	98	38	11	14	14	63.0	25	7.0	M10	SB 204	AK 204	0.70
	SBAK 204-12	1-1/4	5-1/16	3-55/64	1-1/2	7/16	35/64	35/64	2-31/64	0.9843	0.2756	3/8	SB 204-12	AK 204	0.72
25 13/16 7/8 15/16 1	SBAK 205	33.3	140	105	40	11	14	15	66.5	27	7.5	M10	SB 205	AK 205	0.81
	SBAK 205-13	1-5/16	5-3/64	4-9/64	1-37/64	7/16	35/64	19/32	2-5/8	1.0630	0.2953	3/8	SB 205-13	AK 205	0.84
	SBAK 205-14												SB 205-14		0.83
	SBAK 205-15												SB 205-15		0.82
SBAK 205-16	SB 205-16												0.80		
30 1-1/16 1-1/8 1-3/16 1-1/4	SBAK 206	39.7	160	121	44	14	19	17	79.0	29	8.0	M12	SB 206	AK 206	1.18
	SBAK 206-17	1-9/16	6-19/64	4-49/64	1-47/64	35/64	3/4	43/64	3-7/64	1.1417	0.3150	7/16	SB 206-17	AK 206	1.20
	SBAK 206-18												SB 206-18		1.19
	SBAK 206-19												SB 206-19		1.17
SBAK 206-20	SB 206-20												1.16		
35 1-1/4 1-5/16 1-3/8 1-7/16	SBAK 207	46	167	127	48	14	19	18	91.0	32	8.5	M12	SB 207	AK 207	1.61
	SBAK 207-20	1-13/16	6-37/64	5	1-57/64	35/64	3/4	45/64	3-37/64	1.2598	0.3543	7/16	SB 207-20	AK 207	1.66
	SBAK 207-21												SB 207-21		1.65
	SBAK 207-22												SB 207-22		1.64
SBAK 207-23	SB 207-23												1.60		
40 1-1/2	SBAK 208	49.2	181	140	52	14	19	19	98.0	34	9.5	M12	SB 208	AK 208	1.99
	SBAK 208-24	1-15/16	7-1/8	5-3/64	2-1/16	35/64	3/4	3/4	3-55/64	1.3386	0.3740	7/16	SB 208-24	AK 208	2.03



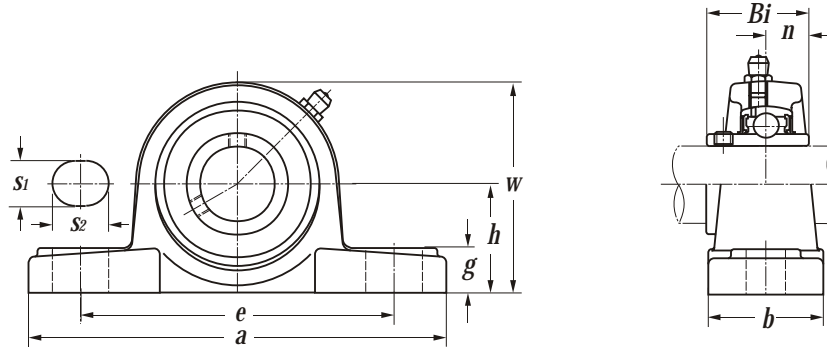
Technical Information



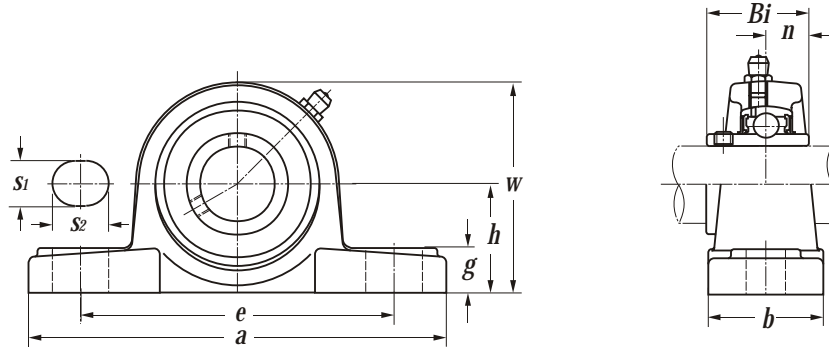
Shaft dia. mm inch	Unit number	Nominal dimensions mm inch										Bolt size mm inch	Bearing number	Housing number	Mass of unit Kg
		<i>h</i>	<i>a</i>	<i>e</i>	<i>b</i>	<i>s</i> ₁	<i>s</i> ₂	<i>g</i>	<i>w</i>	<i>Bi</i>	<i>n</i>				
20 3/4	SBP 204	33.3	127	96	35	13	16	14	65.0	25	7.0	M10	SB 204	P 204	0.62
	SBP 204-12	1-5/16	5	3-25/32	1-3/8	3/64	5/8	35/64	2-9/16	0.9843	0.2756	3/8	SB 204-12	P 204	0.64
25 13/16 7/8 15/16 1	SBP 205	36.5	140	105	36	13	19	15	71.0	27	7.5	M10	SB 205	P 205	0.73
	SBP 205-13	1-7/16	5-3/64	4-9/64	1-27/64	3/64	3/4	19/32	2-51/64	1.0630	0.2953	3/8	SB 205-13	P 205	0.76
	SBP 205-14											3/8	SB 205-14		0.75
	SBP 205-15											3/8	SB 205-15		0.74
SBP 205-16	3/8											SB 205-16	0.72		
30 1-1/16 1-1/8 1-3/16 1-1/4	SBP 206	42.9	160	121	42	14	19	16	84.0	29	8.0	M12	SB 206	P 206	1.16
	SBP 206-17	1-11/16	6-19/64	4-49/64	1-21/32	35/64	3/4	5/8	3-5/16	1.1417	0.3150	7/16	SB 206-17	P 206	1.18
	SBP 206-18											7/16	SB 206-18		1.17
	SBP 206-19											7/16	SB 206-19		1.15
SBP 206-20	7/16											SB 206-20	1.14		
35 1-1/4 1-5/16 1-3/8 1-7/16	SBP 207	47.6	167	127	45	15	19	17	94.0	32	8.5	M12	SB 207	P 207	1.46
	SBP 207-20	1-7/8	6-37/64	5	1-49/64	19/32	3/4	43/64	3-45/64	1.2598	0.3543	7/16	SB 207-20	P 207	1.51
	SBP 207-21											7/16	SB 207-21		1.50
	SBP 207-22											7/16	SB 207-22		1.49
SBP 207-23	7/16											SB 207-23	1.45		
40 1-1/2	SBP 208	49.2	180	137	49	15	21	18	100.0	34	9.5	M12	SB 208	P 208	1.74
	SBP 208-24	1-15/16	7-3/32	5-25/64	1-59/64	19/32	53/64	45/64	3-15/16	1.3386	0.3740	7/16	SB 208-24	P 208	1.78



Technical Information



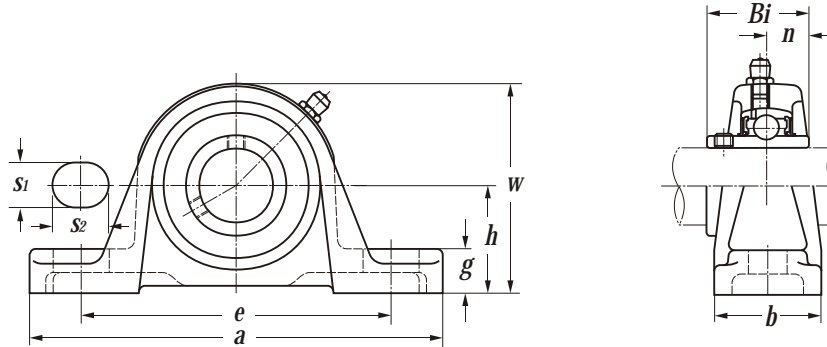
Shaft dia. mm inch	Unit number	Nominal dimensions mm inch										Bolt size mm inch	Bearing number	Housing number	Mass of unit Kg
		<i>h</i>	<i>a</i>	<i>e</i>	<i>b</i>	<i>s</i> ₁	<i>s</i> ₂	<i>g</i>	<i>w</i>	<i>Bi</i>	<i>n</i>				
20 3/4	UCAK 204	31.8	128	98	38	11.0	14	14	63.0	31.0	12.7	M10	UC 204	AK 204	0.74
	UCAK 204-12	1-1/4	5-1/16	3-55/64	1-1/2	7/16	35/64	35/64	2-31/64	1.2205	0.5000	3/8	UC 204-12	AK 204	0.75
25 13/16 7/8 15/16 1	UCAK 205	33.3	140	105	40	11.0	14	15	66.5	34.0	14.3	M10	UC 205	AK 205	0.85
	UCAK 205-13	1-5/16	5-3/64	4-9/64	1-37/64	7/16	35/64	19/32	2-5/8	1.3386	0.5630	3/8	UC 205-13	AK 205	0.89
	UCAK 205-14												UC 205-14		0.87
	UCAK 205-15												UC 205-15		0.86
UCAK 205-16	UC 205-16												0.84		
30 1-1/16 1-1/8 1-3/16 1-1/4	UCAK 206	39.7	160	121	44	14.0	19	17	79.0	38.1	15.9	M12	UC 206	AK 206	1.24
	UCAK 206-17	1-9/16	6-19/64	4-49/64	1-47/64	35/64	3/4	43/64	3-7/64	1.5000	0.6260	7/16	UC 206-17	AK 206	1.28
	UCAK 206-18												UC 206-18		1.26
	UCAK 206-19												UC 206-19		1.23
	UCAK 206-20												UC 206-20		1.22
UCAK 207	46.0												167		127
35 1-1/4 1-5/16 1-3/8 1-7/16	UCAK 207-20	1-13/16	6-37/64	5	1-57/64	35/64	3/4	45/64	3-37/64	1.6890	0.6890	7/16	UC 207-20	AK 207	1.76
	UCAK 207-21												UC 207-21		1.74
	UCAK 207-22												UC 207-22		1.71
	UCAK 207-23												UC 207-23		1.68
40 1-1/2	UCAK 208	49.2	181	140	52	14.0	19	19	98.0	49.2	19.0	M12	UC 208	AK 208	2.13
	UCAK 208-24	1-15/16	7-1/8	5-3/64	2-1/16	35/64	3/4	3/4	3-55/64	1.9370	0.7480	7/16	UC 208-24	AK 208	2.17
45 1-5/8 1-11/16 1-3/4	UCAK 209	52.4	189	146	54	14.0	19	20	105.0	49.2	19.0	M12	UC 209	AK 209	2.39
	UCAK 209-26	2-1/16	7-7/16	5-3/4	2-1/8	35/64	3/4	25/32	4-9/64	1.9370	0.7480	7/16	UC 209-26	AK 209	2.49
	UCAK 209-27												UC 209-27		2.45
UCAK 209-28	UC 209-28												2.41		
50 1-7/8 1-15/16 2	UCAK 210	55.6	203	159	57	17.5	21	21	111.5	51.6	19.0	M16	UC 210	AK 210	2.83
	UCAK 210-30	2-3/16	7-63/64	6-17/64	2-1/4	11/16	53/64	53/64	4-25/64	2.0315	0.7480	5/8	UC 210-30	AK 210	2.90
	UCAK 210-31												UC 210-31		2.85
	UCAK 210-32												UC 210-32		2.81
UCAK 211	61.9												232		181
55 2 2-1/16 2-1/8 2-3/16	UCAK 211-32	2-7/16	9-9/64	7-1/8	2-23/64	45/64	15/16	29/32	4-27/32	2.1890	0.8740	5/8	UC 211-32	AK 211	4.00
	UCAK 211-33												UC 211-33		3.95
	UCAK 211-34												UC 211-34		3.90
	UCAK 211-35												UC 211-35		3.83



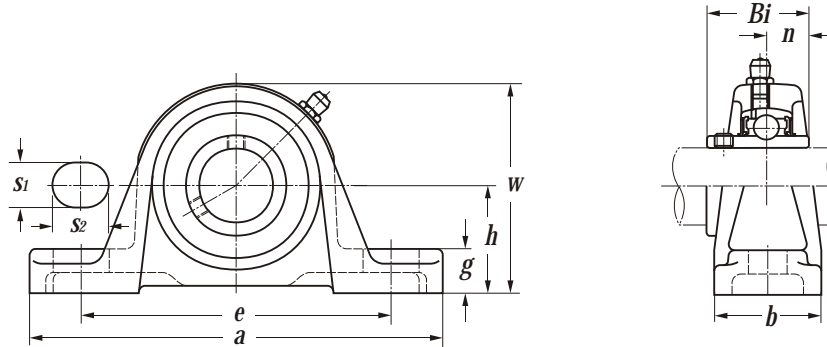
Shaft dia. mm inch	Unit number	Nominal dimensions										Bolt size mm inch	Bearing number	Housing number	Mass of unit Kg
		h	a	e	b	s ₁	s ₂	g	w	Bi	n				
60	UCAK 212	68.3	241	191	64	18.0	24	25	136.0	65.1	25.4	M16	UC 212	AK 212	4.92
2-1/4	UCAK 212-36												UC 212-36	AK 212	5.06
2-5/16	UCAK 212-37												UC 212-37	AK 212	4.99
2-3/8	UCAK 212-38	2-11/16	9-31/64	7-3/64	2-3/64	45/64	15/16	63/64	5-23/64	2.5630	1.0000	5/8	UC 212-38	AK 212	4.90
2-7/16	UCAK 212-39												UC 212-39		4.84
65	UCAK 213	74.6	262	203	70	21.0	28	27	147.5	65.1	25.4	M20	UC 213	AK 213	6.13
2-1/2	UCAK 213-40												UC 213-40	AK 213	6.21
2-9/16	UCAK 213-41	2-15/16	10-5/16	7-63/64	2-3/4	53/64	1-7/64	1-1/16	5-13/16	2.5630	1.0000	3/4	UC 213-41	AK 213	6.05
70	UCAK 214	77.8	266	210	74	21.0	28	28	153.5	74.6	30.2	M20	UC 214	AK 214	6.90
2-5/8	UCAK 214-42												UC 214-42	AK 214	6.93
2-11/16	UCAK 214-43	3-1/16	10-15/32	8-17/64	2-29/32	53/64	1-7/64	1-7/64	6-1/16	2.9370	1.1890	3/4	UC 214-43	AK 214	6.92
2-3/4	UCAK 214-44												UC 214-44		6.91
75	UCAK 215	82.6	304	241	78	22.0	32	30	162.0	77.8	33.3	M20	UC 215	AK 215	8.56
2-13/16	UCAK 215-45												UC 215-45	AK 215	8.65
2-7/8	UCAK 215-46												UC 215-46	AK 215	8.61
2-15/16	UCAK 215-47	3-1/4	11-31/32	9-31/64	3-5/64	55/64	1-17/64	1-3/16	6-3/8	3.0630	1.3110	3/4	UC 215-47	AK 215	8.59
3	UCAK 215-48												UC 215-48		8.48



Technical Information



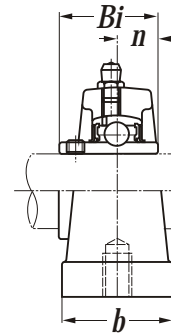
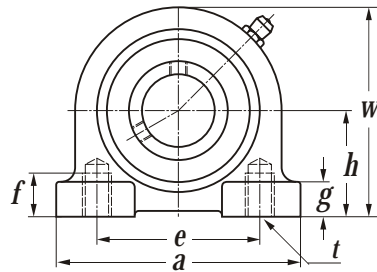
Shaft dia. mm inch	Unit number	Nominal dimensions mm inch										Bolt size mm inch	Bearing number	Housing number	Mass of unit Kg
		<i>h</i>	<i>a</i>	<i>e</i>	<i>b</i>	<i>s</i> ₁	<i>s</i> ₂	<i>g</i>	<i>w</i>	<i>Bi</i>	<i>n</i>				
12 1/2	UCP 201	30.2	127	96	38	13	16	11	60.7	31.0	12.7	M10	UC 201	P 203	0.68
	UCP 201-8	1-3/16	5	3-25/32	1-1/2	3/64	5/8	7/16	2-25/64	1.2205	0.5000	3/8	UC 201-8	P 203	0.68
15 9/16 5/8	UCP 202	30.2	127	96	38	13	16	11	60.7	31.0	12.7	M10	UC 202	P 203	0.67
	UCP 202-9	1-3/16	5	3-25/32	1-1/2	3/64	5/8	7/16	2-25/64	1.2205	0.5000	3/8	UC 202-9	P 203	0.67
	UCP 202-10	1-3/16	5	3-25/32	1-1/2	3/64	5/8	7/16	2-25/64	1.2205	0.5000	3/8	UC 202-10	P 203	0.67
17 11/16	UCP 203	30.2	127	96	38	13	16	11	60.7	31.0	12.7	M10	UC 203	P 203	0.66
	UCP 203-11	1-3/16	5	3-25/32	1-1/2	3/64	5/8	7/16	2-25/64	1.2205	0.5000	3/8	UC 203-11	P 203	0.66
20 3/4	UCP 204	33.3	127	96	35	13	16	14	65	31.0	12.7	M10	UC 204	P 204	0.66
	UCP 204-12	1-5/16	5	3-25/32	1-3/8	3/64	5/8	35/64	2-9/16	1.2205	0.5000	3/8	UC 204-12	P 204	0.67
25 13/16 7/8 15/16 1	UCP 205	36.5	140	105	36	13	19	15	71	34.0	14.3	M10	UC 205	P 205	0.77
	UCP 205-13	1-7/16	5-3/64	4-9/64	1-27/64	3/64	3/4	19/32	2-51/64	1.3386	0.5630	3/8	UC 205-13	P 205	0.81
	UCP 205-14	1-7/16	5-3/64	4-9/64	1-27/64	3/64	3/4	19/32	2-51/64	1.3386	0.5630	3/8	UC 205-14	P 205	0.79
	UCP 205-15	1-7/16	5-3/64	4-9/64	1-27/64	3/64	3/4	19/32	2-51/64	1.3386	0.5630	3/8	UC 205-15	P 205	0.78
	UCP 205-16	1-7/16	5-3/64	4-9/64	1-27/64	3/64	3/4	19/32	2-51/64	1.3386	0.5630	3/8	UC 205-16	P 205	0.76
30 1-1/16 1-1/8 1-3/16 1-1/4	UCP 206	42.9	160	121	42	14	19	16	84	38.1	15.9	M12	UC 206	P 206	1.22
	UCP 206-17	1-11/16	6-19/64	4-49/64	1-21/32	35/64	3/4	5/8	3-5/16	1.5000	0.6260	7/16	UC 206-17	P 206	1.26
	UCP 206-18	1-11/16	6-19/64	4-49/64	1-21/32	35/64	3/4	5/8	3-5/16	1.5000	0.6260	7/16	UC 206-18	P 206	1.24
	UCP 206-19	1-11/16	6-19/64	4-49/64	1-21/32	35/64	3/4	5/8	3-5/16	1.5000	0.6260	7/16	UC 206-19	P 206	1.21
	UCP 206-20	1-11/16	6-19/64	4-49/64	1-21/32	35/64	3/4	5/8	3-5/16	1.5000	0.6260	7/16	UC 206-20	P 206	1.20
35 1-1/4 1-5/16 1-3/8 1-7/16	UCP 207	47.6	167	127	45	15	19	17	94	42.9	17.5	M12	UC 207	P 207	1.55
	UCP 207-20	1-7/8	6-37/64	5	1-49/64	19/32	3/4	43/64	3-45/64	1.6890	0.6890	7/16	UC 207-20	P 207	1.61
	UCP 207-21	1-7/8	6-37/64	5	1-49/64	19/32	3/4	43/64	3-45/64	1.6890	0.6890	7/16	UC 207-21	P 207	1.59
	UCP 207-22	1-7/8	6-37/64	5	1-49/64	19/32	3/4	43/64	3-45/64	1.6890	0.6890	7/16	UC 207-22	P 207	1.56
	UCP 207-23	1-7/8	6-37/64	5	1-49/64	19/32	3/4	43/64	3-45/64	1.6890	0.6890	7/16	UC 207-23	P 207	1.53
40 1-1/2	UCP 208	49.2	180	137	49	15	21	18	100	49.2	19.0	M12	UC 208	P 208	1.88
	UCP 208-24	1-15/16	7-3/32	5-25/64	1-59/64	19/32	53/64	45/64	3-15/16	1.9370	0.7480	7/16	UC 208-24	P 208	1.92
45 1-5/8 1-11/16 1-3/4	UCP 209	54	189	146	50	15	21	20	107.5	49.2	19.0	M12	UC 209	P 209	2.19
	UCP 209-26	2-1/8	7-7/16	5-3/4	1-31/32	19/32	53/64	25/32	4-15/64	1.9370	0.7480	7/16	UC 209-26	P 209	2.29
	UCP 209-27	2-1/8	7-7/16	5-3/4	1-31/32	19/32	53/64	25/32	4-15/64	1.9370	0.7480	7/16	UC 209-27	P 209	2.25
	UCP 209-28	2-1/8	7-7/16	5-3/4	1-31/32	19/32	53/64	25/32	4-15/64	1.9370	0.7480	7/16	UC 209-28	P 209	2.21
50 1-7/8 1-15/16 2	UCP 210	57.2	204	159	56	19	22	21	114	51.6	19.0	M16	UC 210	P 210	2.73
	UCP 210-30	2-1/4	8-1/64	6-17/64	2-13/64	3/4	55/64	53/64	4-31/64	2.0315	0.7480	5/8	UC 210-30	P 210	2.80
	UCP 210-31	2-1/4	8-1/64	6-17/64	2-13/64	3/4	55/64	53/64	4-31/64	2.0315	0.7480	5/8	UC 210-31	P 210	2.75
	UCP 210-32	2-1/4	8-1/64	6-17/64	2-13/64	3/4	55/64	53/64	4-31/64	2.0315	0.7480	5/8	UC 210-32	P 210	2.71



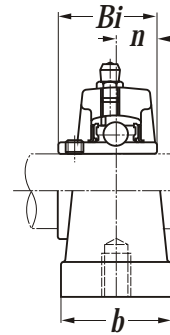
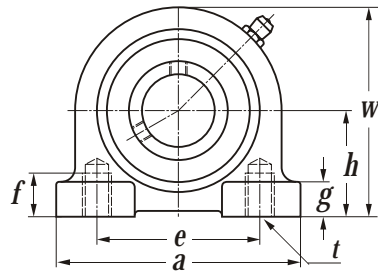
Shaft dia. mm inch	Unit number	Nominal dimensions mm inch										Bolt size mm inch	Bearing number	Housing number	Mass of unit Kg
		<i>h</i>	<i>a</i>	<i>e</i>	<i>b</i>	<i>s₁</i>	<i>s₂</i>	<i>g</i>	<i>w</i>	<i>Bi</i>	<i>n</i>				
55	UCP 211	63.5	217	172	58	19	22	22	126	55.6	22.2	M16	UC 211	P 211	3.38
2	UCP 211-32												UC 211-32		3.53
2-1/16	UCP 211-33												UC 211-33	P 211	3.48
2-1/8	UCP 211-34	2-1/2	8-35/64	6-49/64	2-9/32	3/4	55/64	55/64	4-61/64	2.1890	0.8740	5/8	UC 211-34		3.43
2-3/16	UCP 211-35												UC 211-35		3.36
60	UCP 212	69.9	238	186	64	19	25	24	139	65.1	25.4	M16	UC 212	P 212	4.75
2-1/4	UCP 212-36												UC 212-36		4.89
2-5/16	UCP 212-37												UC 212-37	P 212	4.82
2-3/8	UCP 212-38	2-3/4	9-3/8	7-21/64	2-3/64	3/4	63/64	15/16	5-15/32	2.5630	1.0000	5/8	UC 212-38		4.73
2-7/16	UCP 212-39												UC 212-39		4.67
65	UCP 213	76.2	262	203	70	23	29	26	149	65.1	25.4	M20	UC 213	P 213	5.81
2-1/2	UCP 213-40												UC 213-40		5.89
2-9/16	UCP 213-41	3	10-5/16	7-63/64	2-3/4	29/32	1-9/64	1-1/64	5-55/64	2.5630	1.0000	3/4	UC 213-41	P 213	5.73
70	UCP 214	79.4	266	210	72	23	29	27	155	74.6	30.2	M20	UC 214	P 214	6.50
2-5/8	UCP 214-42												UC 214-42		6.53
2-11/16	UCP 214-43	3-1/8	10-15/32	8-17/64	2-53/64	29/32	1-9/64	1-1/16	6-7/64	2.9370	1.1890	3/4	UC 214-43	P 214	6.52
2-3/4	UCP 214-44												UC 214-44		6.51
75	UCP 215	82.6	274	217	74	25	29	28	161.6	77.8	33.3	M20	UC 215	P 215	7.11
2-13/16	UCP 215-45												UC 215-45		7.20
2-7/8	UCP 215-46												UC 215-46	P 215	7.16
2-15/16	UCP 215-47	3-1/4	10-25/32	8-35/64	2-29/32	63/64	1-9/64	1-7/64	6-23/64	3.0630	1.3110	3/4	UC 215-47		7.14
3	UCP 215-48												UC 215-48		7.03
80	UCP 216	88.9	292	232	78	25	30	30	174	82.6	33.3	M20	UC 216	P 216	8.69
3-1/16	UCP 216-49												UC 216-49		8.78
3-1/8	UCP 216-50	3-1/2	11-1/2	9-9/64	3-5/64	63/64	1-3/16	1-3/16	6-27/32	3.2520	1.3110	3/4	UC 216-50	P 216	8.74
3-3/16	UCP 216-51												UC 216-51		8.61
85	UCP 217	95.2	310	247	83	25	30	32	186	85.7	34.1	M20	UC 217	P 217	10.63
3-1/4	UCP 217-52												UC 217-52		10.85
3-5/16	UCP 217-53	3-3/4	12-13/64	9-23/32	3-17/64	63/64	1-3/16	1-17/64	7-21/64	3.3740	1.3425	3/4	UC 217-53	P 217	10.71
3-7/16	UCP 217-55												UC 217-55		10.46
90	UCP 218	101.6	326	262	88	27	30	33	198	96.0	39.7	M22	UC 218	P 218	12.95
3-1/2	UCP 218-56	4	12-53/64	10-5/16	3-15/32	1-1/16	1-3/16	1-19/64	7-51/64	3.7800	1.5630	7/8	UC 218-56	P 218	13.06



Technical Information



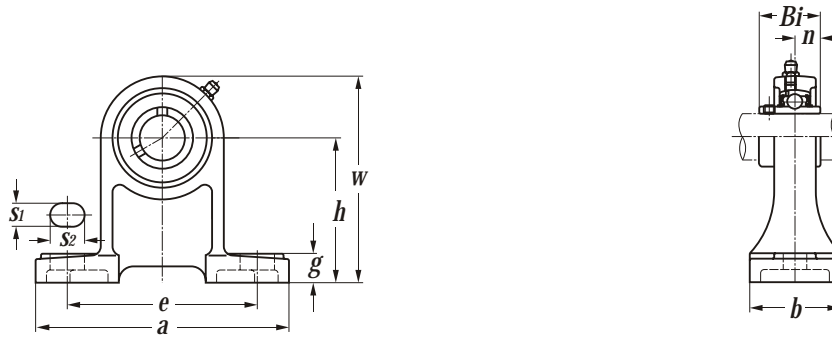
Shaft dia. mm inch	Unit number	Nominal dimensions mm inch										Bolt size mm inch	Bearing number	Housing number	Mass of unit Kg
		<i>h</i>	<i>a</i>	<i>e</i>	<i>b</i>	<i>g</i>	<i>w</i>	<i>f</i>	<i>t</i>	<i>Bi</i>	<i>n</i>				
12 1/2	UCPA 201	30.2	76	52	40	11	62	13	M10	31.0	12.7	M10	UC 201	PA 204	0.57
	UCPA 201-8	1-3/16	2-63/64	2-1/16	1-37/64	7/16	2-7/16	3/64	3/8	1.2205	0.5000	3/8	UC 201-8	PA 204	0.57
15 9/16 5/8	UCPA 202	30.2	76	52	40	11	62	13	M10	31.0	12.7	M10	UC 202	PA 204	0.56
	UCPA 202-9	1-3/16	2-63/64	2-1/16	1-37/64	7/16	2-7/16	3/64	3/8	1.2205	0.5000	3/8	UC 202-9	PA 204	0.56
	UCPA 202-10	1-3/16	2-63/64	2-1/16	1-37/64	7/16	2-7/16	3/64	3/8	1.2205	0.5000	3/8	UC 202-10	PA 204	0.56
17 11/16	UCPA 203	30.2	76	52	40	11	62	13	M10	31.0	12.7	M10	UC 203	PA 204	0.55
	UCPA 203-11	1-3/16	2-63/64	2-1/16	1-37/64	7/16	2-7/16	3/64	3/8	1.2205	0.5000	3/8	UC 203-11	PA 204	0.55
20 3/4	UCPA 204	30.2	76	52	40	11	62	13	M10	31.0	12.7	M10	UC 204	PA 204	0.53
	UCPA 204-12	1-3/16	2-63/64	2-1/16	1-37/64	7/16	2-7/16	3/64	3/8	1.2205	0.5000	3/8	UC 204-12	PA 204	0.54
25 13/16 7/8 15/16 1	UCPA 205	36.5	84	56	38	12	72	15	M10	34.0	14.3	M10	UC 205	PA 205	0.71
	UCPA 205-13	1-7/16	3-5/16	2-13/64	1-1/2	15/32	2-53/64	19/32	3/8	1.3386	0.5630	3/8	UC 205-13	PA 205	0.75
	UCPA 205-14	1-7/16	3-5/16	2-13/64	1-1/2	15/32	2-53/64	19/32	3/8	1.3386	0.5630	3/8	UC 205-14	PA 205	0.73
	UCPA 205-15	1-7/16	3-5/16	2-13/64	1-1/2	15/32	2-53/64	19/32	3/8	1.3386	0.5630	3/8	UC 205-15	PA 205	0.72
	UCPA 205-16	1-7/16	3-5/16	2-13/64	1-1/2	15/32	2-53/64	19/32	3/8	1.3386	0.5630	3/8	UC 205-16	PA 205	0.70
30 1-1/16 1-1/8 1-3/16 1-1/4	UCPA 206	42.9	94	66	48	13	84	18	M14	38.1	15.9	M14	UC 206	PA 206	1.07
	UCPA 206-17	1-11/16	3-45/64	2-19/32	1-57/64	3/64	3-5/16	45/64	1/2	1.5000	0.6260	1/2	UC 206-17	PA 206	1.11
	UCPA 206-18	1-11/16	3-45/64	2-19/32	1-57/64	3/64	3-5/16	45/64	1/2	1.5000	0.6260	1/2	UC 206-18	PA 206	1.09
	UCPA 206-19	1-11/16	3-45/64	2-19/32	1-57/64	3/64	3-5/16	45/64	1/2	1.5000	0.6260	1/2	UC 206-19	PA 206	1.06
	UCPA 206-20	1-11/16	3-45/64	2-19/32	1-57/64	3/64	3-5/16	45/64	1/2	1.5000	0.6260	1/2	UC 206-20	PA 206	1.05
35 1-1/4 1-5/16 1-3/8 1-7/16	UCPA 207	47.6	110	80	48	13	95	20	M14	42.9	17.5	M14	UC 207	PA 207	1.49
	UCPA 207-20	1-7/8	4-21/64	3-5/32	1-57/64	3/64	3-47/64	25/32	1/2	1.6890	0.6890	1/2	UC 207-20	PA 207	1.55
	UCPA 207-21	1-7/8	4-21/64	3-5/32	1-57/64	3/64	3-47/64	25/32	1/2	1.6890	0.6890	1/2	UC 207-21	PA 207	1.53
	UCPA 207-22	1-7/8	4-21/64	3-5/32	1-57/64	3/64	3-47/64	25/32	1/2	1.6890	0.6890	1/2	UC 207-22	PA 207	1.50
	UCPA 207-23	1-7/8	4-21/64	3-5/32	1-57/64	3/64	3-47/64	25/32	1/2	1.6890	0.6890	1/2	UC 207-23	PA 207	1.47
40 1-1/2	UCPA 208	49.2	116	84	54	13	100	20	M14	49.2	19.0	M14	UC 208	PA 208	1.75
	UCPA 208-24	1-15/16	4-9/16	3-5/16	2-1/8	3/64	3-15/16	25/32	1/2	1.9370	0.7480	1/2	UC 208-24	PA 208	1.79
45 1-5/8 1-11/16 1-3/4	UCPA 209	54.2	120	90	60	13	108	25	M14	49.2	19.0	M14	UC 209	PA 209	2.17
	UCPA 209-26	2-9/64	4-23/32	3-35/64	2-23/64	3/64	4-1/4	63/64	1/2	1.9370	0.7480	1/2	UC 209-26	PA 209	2.27
	UCPA 209-27	2-9/64	4-23/32	3-35/64	2-23/64	3/64	4-1/4	63/64	1/2	1.9370	0.7480	1/2	UC 209-27	PA 209	2.23
50 1-7/8 1-15/16 2	UCPA 210	57.2	130	94	60	14	116	25	M16	51.6	19.0	M16	UC 210	PA 210	2.53
	UCPA 210-30	2-1/4	5-1/8	3-45/64	2-23/64	35/64	4-9/16	63/64	5/8	2.0315	0.7480	5/8	UC 210-30	PA 210	2.60
	UCPA 210-31	2-1/4	5-1/8	3-45/64	2-23/64	35/64	4-9/16	63/64	5/8	2.0315	0.7480	5/8	UC 210-31	PA 210	2.55
	UCPA 210-32	2-1/4	5-1/8	3-45/64	2-23/64	35/64	4-9/16	63/64	5/8	2.0315	0.7480	5/8	UC 210-32	PA 210	2.51



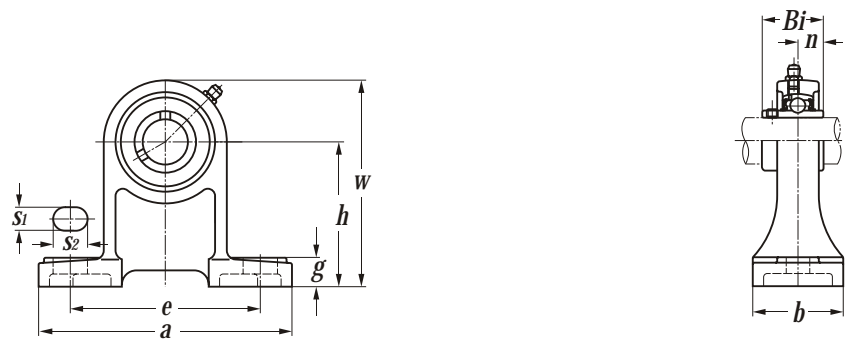
Shaft dia. mm inch	Unit number	Nominal dimensions										Bolt size mm inch	Bearing number	Housing number	Mass of unit Kg
		h	a	e	b	g	w	f	t	Bi	n				
55 2 2-1/16 2-1/8 2-3/16	UCPA 211	63.5	140	104	66	14	125	25	M16	55.6	22.2	M16	UC 211	PA 211	3.17
	UCPA 211-32												UC 211-32		3.32
	UCPA 211-33												UC 211-33		3.27
	UCPA 211-34	2-1/2	5-3/64	4-3/32	2-19/32	35/64	4-59/64	63/64	5/8	2.1890	0.8740	5/8	UC 211-34	PA 211	3.22
	UCPA 211-35												UC 211-35		3.15
60 2-1/4 2-5/16 2-3/8 2-7/16	UCPA 212	69.9	150	114	68	15	138	25	M16	65.1	25.4	M16	UC 212	PA 212	4.17
	UCPA 212-36												UC 212-36		4.31
	UCPA 212-37												UC 212-37		4.24
	UCPA 212-38	2-3/4	5-29/32	4-31/64	2-43/64	19/32	5-7/16	63/64	5/8	2.5630	1.0000	5/8	UC 212-38	PA 212	4.15
	UCPA 212-39												UC 212-39		4.09
65 2-1/2 2-9/16	UCPA 213	76.2	160	124	70	15	150	25	M16	65.1	25.4	M16	UC 213	PA 213	4.96
	UCPA 213-40												UC 213-40		5.04
	UCPA 213-41	3	6-19/64	4-7/8	2-3/4	19/32	5-29/32	63/64	5/8	2.5630	1.0000	5/8	UC 213-41	PA 213	4.88



Technical Information



Shaft dia. mm inch	Unit number	Nominal dimensions mm inch										Bolt size mm inch	Bearing number	Housing number	Mass of unit Kg
		<i>h</i>	<i>a</i>	<i>e</i>	<i>b</i>	<i>s</i> ₁	<i>s</i> ₂	<i>g</i>	<i>w</i>	<i>Bi</i>	<i>n</i>				
55 2 2-1/16 2-1/8 2-3/16	UCPH 211	120	217	171	75	19	22	23	181	55.6	22.2	M16	UC 211	PH 211	4.05
	UCPH 211-32												UC 211-32		4.20
	UCPH 211-33												UC 211-33	PH 211	4.15
	UCPH 211-34	4-23/32	8-35/64	6-47/64	2-61/64	3/4	55/64	29/32	7-1/8	2.1890	0.8740	5/8	UC 211-34		4.10
	UCPH 211-35												UC 211-35		4.03
60 2-1/4 2-5/16 2-3/8 2-7/16	UCPH 212	130	236	186	80	19	22	24	197	65.1	25.4	M16	UC 212	PH 212	4.78
	UCPH 212-36												UC 212-36		4.92
	UCPH 212-37												UC 212-37	PH 212	4.85
	UCPH 212-38	5-1/8	9-19/64	7-21/64	3-5/32	3/4	55/64	15/16	7-3/4	2.5630	1.0000	5/8	UC 212-38		4.76
65 2-1/2 2-9/16	UCPH 213	140	258	203	85	23	28	26	213	65.1	25.4	M20	UC 213	PH 213	5.93
	UCPH 213-40												UC 213-40	PH 213	6.01
	UCPH 213-41	5-3/64	10-5/32	7-63/64	3-11/32	29/32	1-7/64	1-1/64	8-25/64	2.563	1.0000	3/4	UC 213-41		5.85
70 2-5/8 2-11/16 2-3/4	UCPH 214	150	266	210	90	23	28	27	227	74.6	30.2	M20	UC 214	PH 214	6.99
	UCPH 214-42												UC 214-42		7.02
	UCPH 214-43	5-29/32	10-15/32	8-17/64	3-35/64	29/32	1-7/64	1-1/16	8-15/16	2.9370	1.1890	3/4	UC 214-43	PH 214	7.01
75 2-13/16 2-7/8 2-15/16 3	UCPH 215	160	274	217	95	23	28	28	240	77.8	33.3	M20	UC 215	PH 215	7.84
	UCPH 215-45												UC 215-45		7.93
	UCPH 215-46												UC 215-46	PH 215	7.89
	UCPH 215-47	6-19/64	10-25/32	8-35/64	3-47/64	29/32	1-7/64	1-7/64	9-29/64	3.0630	1.3110	3/4	UC 215-47		7.87
80 3-1/16 3-1/8 3-3/16	UCPH 216	170	290	232	100	24	28	30	256	82.6	33.3	M20	UC 216	PH 216	9.13
	UCPH 216-49												UC 216-49		9.22
	UCPH 216-50	6-11/16	11-27/64	9-9/64	3-15/16	15/16	1-7/64	1-3/16	10-5/64	3.252	1.3110	3/4	UC 216-50	PH 216	9.18
	UCPH 216-51												UC 216-51		9.05

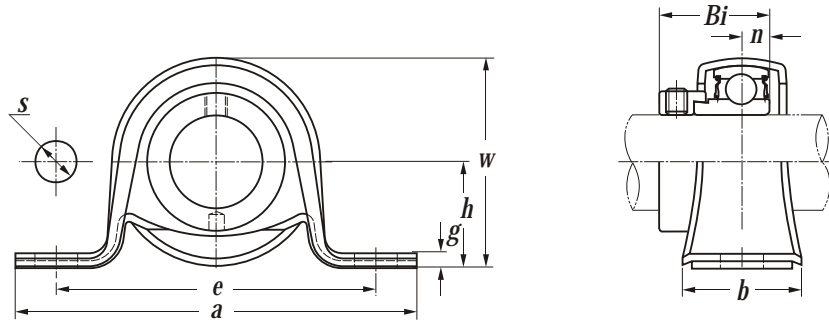


Shaft dia. mm inch	Unit number	Nominal dimensions										Bolt size mm inch	Bearing number	Housing number	Mass of unit Kg
		h	a	e	b	s ₁	s ₂	g	w	Bi	n				
55 2 2-1/16 2-1/8 2-3/16	UCPH 211	120	217	171	75	19	22	23	181	55.6	22.2	M16	UC 211	PH 211	4.05
	UCPH 211-32												UC 211-32		4.20
	UCPH 211-33	4-23/32	8-35/64	6-47/64	2-61/64	3/4	55/64	29/32	7-1/8	2.1890	0.8740	5/8	UC 211-33	PH 211	4.15
	UCPH 211-34												UC 211-34		4.10
	UCPH 211-35												UC 211-35		4.03
60 2-1/4 2-5/16 2-3/8 2-7/16	UCPH 212	130	236	186	80	19	22	24	197	65.1	25.4	M16	UC 212	PH 212	4.78
	UCPH 212-36												UC 212-36		4.92
	UCPH 212-37	5-1/8	9-19/64	7-21/64	3-5/32	3/4	55/64	15/16	7-3/4	2.5630	1.0000	5/8	UC 212-37	PH 212	4.85
	UCPH 212-38												UC 212-38		4.76
65 2-1/2 2-9/16	UCPH 213	140	258	203	85	23	28	26	213	65.1	25.4	M20	UC 213	PH 213	5.93
	UCPH 213-40												UC 213-40		6.01
	UCPH 213-41	5-3/64	10-5/32	7-63/64	3-11/32	29/32	1-7/64	1-1/64	8-25/64	2.563	1.0000	3/4	UC 213-41	PH 213	5.85
70 2-5/8 2-11/16 2-3/4	UCPH 214	150	266	210	90	23	28	27	227	74.6	30.2	M20	UC 214	PH 214	6.99
	UCPH 214-42												UC 214-42		7.02
	UCPH 214-43	5-29/32	10-15/32	8-17/64	3-35/64	29/32	1-7/64	1-1/16	8-15/16	2.9370	1.1890	3/4	UC 214-43	PH 214	7.01
75 2-13/16 2-7/8 2-15/16 3	UCPH 215	160	274	217	95	23	28	28	240	77.8	33.3	M20	UC 215	PH 215	7.84
	UCPH 215-45												UC 215-45		7.93
	UCPH 215-46	6-19/64	10-25/32	8-35/64	3-47/64	29/32	1-7/64	1-7/64	9-29/64	3.0630	1.3110	3/4	UC 215-46	PH 215	7.89
	UCPH 215-47												UC 215-47		7.87
80 3-1/16 3-1/8 3-3/16	UCPH 216	170	290	232	100	24	28	30	256	82.6	33.3	M20	UC 216	PH 216	9.13
	UCPH 216-49												UC 216-49		9.22
	UCPH 216-50	6-11/16	11-27/64	9-9/64	3-15/16	15/16	1-7/64	1-3/16	10-5/64	3.252	1.3110	3/4	UC 216-50	PH 216	9.18
	UCPH 216-51												UC 216-51		9.05



Technical Information

STANDARD DUTY PILLOW BLOCKS PREESSED STEEL HOUSING ECCENTRIC LOCKING COLLAR TYPE

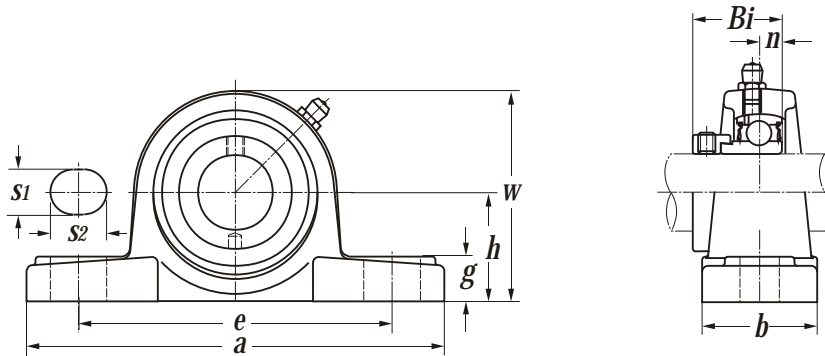


Shaft dia. mm inch	Unit number	Nominal dimensions									Bolt size mm inch	Bearing number	Housing number	Mass of unit Kg
		<i>h</i>	<i>a</i>	<i>e</i>	<i>b</i>	<i>s</i>	<i>g</i>	<i>w</i>	<i>Bi</i>	<i>n</i>				
12 1/2	SAPP 201	22.2	86	68	25	9.5	3.2	43.8	28.5	6.0	M8	SA 201	PP 203	0.21
	SAPP 201-8	7/8	3-25/64	2-43/64	63/64	3/8	1/8	1-23/32	1.1220	0.2362	5/16	SA 201-8	PP 203	0.21
15 9/16 5/8	SAPP 202	22.2	86	68	25	9.5	3.2	43.8	28.5	6.0	M8	SA 202	PP 203	0.20
	SAPP 202-9	7/8	3-25/64	2-43/64	63/64	3/8	1/8	1-23/32	1.1220	0.2362	5/16	SA 202-9	PP 203	0.20
	SAPP 202-10	7/8	3-25/64	2-43/64	63/64	3/8	1/8	1-23/32	1.1220	0.2362	5/16	SA 202-10	PP 203	0.20
17 11/16	SAPP 203	22.2	86	68	25	9.5	3.2	43.8	28.5	6.0	M8	SA 203	PP 203	0.19
	SAPP 203-11	7/8	3-25/64	2-43/64	63/64	3/8	1/8	1-23/32	1.1220	0.2362	5/16	SA 203-11	PP 203	0.19
20 3/4	SAPP 204	25.4	98	76	32	9.5	3.2	50.5	29.5	7.0	M8	SA 204	PP 204	0.27
	SAPP 204-12	1	3-55/64	2-63/64	1-17/64	3/8	1/8	1-63/64	1.1614	0.2756	5/16	SA 204-12	PP 204	0.28
25 13/16 7/8 15/16 1	SAPP 205	28.6	108	86	32	11.5	4	56.6	30.5	7.5	M10	SA 205	PP 205	0.34
	SAPP 205-13	1-1/8	4-1/4	3-25/64	1-17/64	29/64	5/32	2-15/64	1.2008	0.2953	3/8	SA 205-13	PP 205	0.37
	SAPP 205-14	1-1/8	4-1/4	3-25/64	1-17/64	29/64	5/32	2-15/64	1.2008	0.2953	3/8	SA 205-14	PP 205	0.36
	SAPP 205-15	1-1/8	4-1/4	3-25/64	1-17/64	29/64	5/32	2-15/64	1.2008	0.2953	3/8	SA 205-15	PP 205	0.35
	SAPP 205-16	1-1/8	4-1/4	3-25/64	1-17/64	29/64	5/32	2-15/64	1.2008	0.2953	3/8	SA 205-16	PP 205	0.32
30 1-1/16 1-1/8 1-3/16 1-1/4	SAPP 206	33.3	117	95	38	11.5	4	66.3	33.9	8.0	M10	SA 206	PP 206	0.52
	SAPP 206-17	1-5/16	4-39/64	3-47/64	1-1/2	29/64	5/32	2-39/64	1.3346	0.3150	3/8	SA 206-17	PP 206	0.56
	SAPP 206-18	1-5/16	4-39/64	3-47/64	1-1/2	29/64	5/32	2-39/64	1.3346	0.3150	3/8	SA 206-18	PP 206	0.54
	SAPP 206-19	1-5/16	4-39/64	3-47/64	1-1/2	29/64	5/32	2-39/64	1.3346	0.3150	3/8	SA 206-19	PP 206	0.50
	SAPP 206-20	1-5/16	4-39/64	3-47/64	1-1/2	29/64	5/32	2-39/64	1.3346	0.3150	3/8	SA 206-20	PP 206	0.47
35 1-1/4 1-5/16 1-3/8 1-7/16	SAPP 207	39.7	129	106	42	11.5	4.6	78.0	37.5	8.5	M10	SA 207	PP 207	0.73
	SAPP 207-20	1-9/16	5-5/64	4-11/64	1-21/32	29/64	3/16	3-5/64	1.4764	0.3543	3/8	SA 207-20	PP 207	0.79
	SAPP 207-21	1-9/16	5-5/64	4-11/64	1-21/32	29/64	3/16	3-5/64	1.4764	0.3543	3/8	SA 207-21	PP 207	0.76
	SAPP 207-22	1-9/16	5-5/64	4-11/64	1-21/32	29/64	3/16	3-5/64	1.4764	0.3543	3/8	SA 207-22	PP 207	0.74
	SAPP 207-23	1-9/16	5-5/64	4-11/64	1-21/32	29/64	3/16	3-5/64	1.4764	0.3543	3/8	SA 207-23	PP 207	0.71



Technical Information

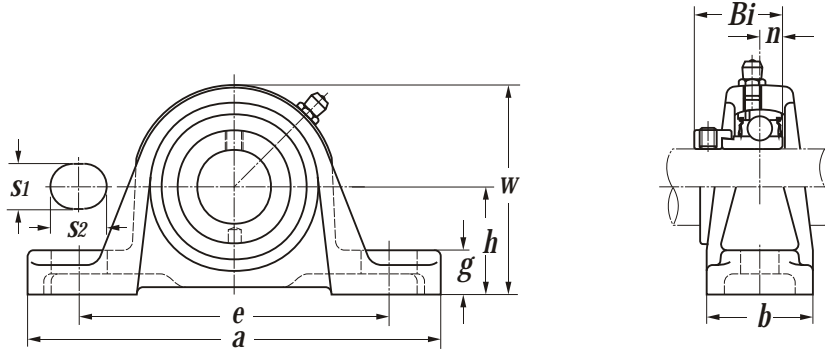
STANDARD DUTY PILLOW BLOCKS CAST HOUSING
ECCENTRIC LOCKING COLLAR TYPE



Shaft dia. mm inch	Unit number	Nominal dimensions mm inch										Bolt size mm inch	Bearing number	Housing number	Mass of unit Kg
		<i>h</i>	<i>a</i>	<i>e</i>	<i>b</i>	<i>s</i> ₁	<i>s</i> ₂	<i>g</i>	<i>w</i>	<i>Bi</i>	<i>n</i>				
20 3/4	SAAK 204	31.8	128	98	38	11.0	14	14	63.0	29.5	7.0	M10	SA 204	AK 204	0.75
	SAAK 204-12	1-1/4	5-1/16	3-55/64	1-1/2	7/16	35/64	35/64	2-31/64	1.1614	0.2756	3/8	SA 204-12	AK 204	0.76
25 13/16 7/8 15/16 1	SAAK 205	33.3	140	105	40	11.0	14	15	66.5	30.5	7.5	M10	SA 205	AK 205	0.84
	SAAK 205-13	1-5/16	5-3/64	4-9/64	1-37/64	7/16	35/64	19/32	2-5/8	1.2008	0.2953	3/8	SA 205-13	AK 205	0.87
	SAAK 205-14												SA 205-14		0.86
	SAAK 205-15												SA 205-15		0.85
SAAK 205-16	SA 205-16												0.82		
30 1-1/16 1-1/8 1-3/16 1-1/4	SAAK 206	39.7	160	121	44	14.0	19	17	79.0	33.9	8.0	M12	SA 206	AK 206	1.25
	SAAK 206-17	1-9/16	6-19/64	4-49/64	1-47/64	35/64	3/4	43/64	3-7/64	1.3346	0.3150	7/16	SA 206-17	AK 206	1.29
	SAAK 206-18												SA 206-18		1.27
	SAAK 206-19												SA 206-19		1.23
	SAAK 206-20												SA 206-20		1.20
SAAK 207	46.0												167		127
35 1-1/4 1-5/16 1-3/8 1-7/16	SAAK 207-20	1-13/16	6-37/64	5	1-57/64	35/64	3/4	45/64	3-37/64	1.4764	0.3543	7/16	SA 207-20	AK 207	1.79
	SAAK 207-21												SA 207-21		1.76
	SAAK 207-22												SA 207-22		1.74
	SAAK 207-23												SA 207-23		1.71
40 1-1/2	SAAK 208	49.2	181	140	52	14.0	19	19	98.0	40.5	9.5	M12	SA 208	AK 208	2.14
	SAAK 208-24	1-15/16	7-1/8	5-3/64	2-1/16	35/64	3/4	3/4	3-55/64	1.5945	0.3740	7/16	SA 208-24	AK 208	2.17
45 1-5/8 1-11/16 1-3/4	SAAK 209	52.4	189	146	54	14.0	19	20	105.0	42.2	10.0	M12	SA 209	AK 209	2.40
	SAAK 209-26	2-1/16	7-7/16	5-3/4	2-1/8	35/64	3/4	25/32	4-9/64	1.6614	0.3937	7/16	SA 209-26	AK 209	2.53
	SAAK 209-27												SA 209-27		2.47
SAAK 209-28	SA 209-28												2.44		
50 1-7/8 1-15/16 2	SAAK 210	55.6	203	159	57	17.5	21	21	111.5	43.7	10.5	M16	SA 210	AK 210	2.83
	SAAK 210-30	2-3/16	7-63/64	6-17/64	2-1/4	11/16	53/64	53/64	4-25/64	1.7205	0.41339	5/8	SA 210-30	AK 210	2.88
	SAAK 210-31												SA 210-31		2.86
	SAAK 210-32												SA 210-32		2.80
SAAK 211	61.9												232		181
55 2 2-1/16 2-1/8 2-3/16	SAAK 211-32	2-7/16	9-9/64	7-1/8	2-23/64	45/64	15/16	29/32	4-27/32	1.9055	0.4528	5/8	SA 211-32	AK 211	3.91
	SAAK 211-33												SA 211-33		3.86
	SAAK 211-34												SA 211-34		3.69
	SAAK 211-35												SA 211-35		3.54



Technical Information

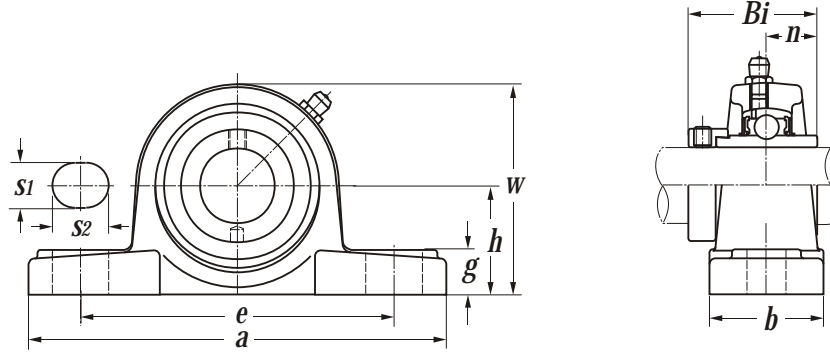


Shaft dia. mm inch	Unit number	Nominal dimensions mm inch										Bolt size mm inch	Bearing number	Housing number	Mass of unit Kg
		<i>h</i>	<i>a</i>	<i>e</i>	<i>b</i>	<i>s</i> ₁	<i>s</i> ₂	<i>g</i>	<i>w</i>	<i>Bi</i>	<i>n</i>				
20 3/4	SAP 204	33.3	127	96	35	13	16	14	65	29.5	7.0	M10	SA 204	P 204	0.67
	SAP 204-12	1-5/16	5	3-25/32	1-3/8	3/64	5/8	35/64	2-9/16	1.1614	0.2756	3/8	SA 204-12	P 204	0.68
25 13/16 7/8 15/16 1	SAP 205	36.5	140	105	36	13	19	15	71	30.5	7.5	M10	SA 205	P 205	0.76
	SAP 205-13	1-7/16	5-3/64	4-9/64	1-27/64	3/64	3/4	19/32	2-51/64	1.2008	0.2953	3/8	SA 205-13	P 205	0.79
	SAP 205-14												SA 205-14		0.78
	SAP 205-15												SA 205-15		0.77
SAP 205-16	SA 205-16												0.74		
30 1-1/16 1-1/8 1-3/16 1-1/4	SAP 206	42.9	160	121	42	14	19	16	84	33.9	8.0	M12	SA 206	P 206	1.23
	SAP 206-17	1-11/16	6-19/64	4-49/64	1-21/32	35/64	3/4	5/8	3-5/16	1.3346	0.3150	7/16	SA 206-17	P 206	1.27
	SAP 206-18												SA 206-18		1.25
	SAP 206-19												SA 206-19		1.21
SAP 206-20	SA 206-20												1.18		
35 1-1/4 1-5/16 1-5/8 1-3/8 1-7/16	SAP 207	47.6	167	127	45	15	19	17	94	37.5	8.5	M12	SA 207	P 207	1.58
	SAP 207-20	1-7/8	6-37/64	5	1-49/64	19/32	3/4	43/64	3-45/64	1.4764	0.3543	7/16	SA 207-20	P 207	1.64
	SAP 207-21												SA 207-21		1.61
	SAP 207-22												SA 207-22		1.59
SAP 207-23	SA 207-23												1.56		
40 1-1/2	SAP 208	49.2	180	137	49	15	21	18	100	40.5	9.5	M12	SA 208	P 208	1.89
	SAP 208-24	1-15/16	7-3/32	5-25/64	1-59/64	19/32	53/64	45/64	3-15/16	1.5946	0.3740	7/16	SA 208-24	P 208	1.92
45 1-5/8 1-11/16 1-3/4	SAP 209	54	189	146	50	15	21	20	107.5	42.2	10.0	M12	SA 209	P 209	2.20
	SAP 209-26	2-1/8	7-7/16	5-3/4	1-31/32	19/32	53/64	25/32	4-15/64	1.6614	0.3937	7/16	SA 209-26	P 209	2.33
	SAP 209-27												SA 209-27		2.27
SAP 209-28	SA 209-28												2.24		
50 1-7/8 1-15/16 2	SAP 210	57.2	204	159	56	19	22	21	114	43.7	10.5	M16	SA 210	P 210	2.73
	SAP 210-30	2-1/4	8-1/64	6-17/64	2-13/64	3/4	55/64	53/64	4-31/64	1.7205	0.41339	5/8	SA 210-30	P 210	2.78
	SAP 210-31												SA 210-31		2.76
	SAP 210-32												SA 210-32		2.70
55 2 2-1/16 2-1/8 2-3/16	SAP 211	63.5	217	172	58	19	22	22	126	48.4	11.5	M16	SA 211	P 211	3.13
	SAP 211-32	2-1/2	8-35/64	6-49/64	2-9/32	3/4	55/64	55/64	4-61/64	1.9055	0.4528	5/8	SA 211-32	P 211	3.44
	SAP 211-33												SA 211-33		3.39
	SAP 211-34												SA 211-34		3.22
	SAP 211-35												SA 211-35		3.07

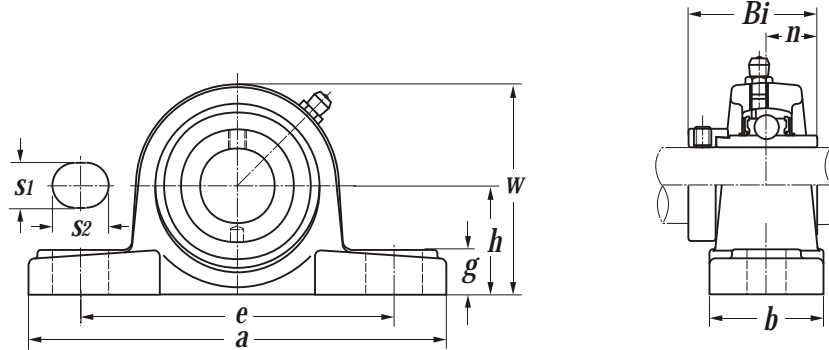


Technical Information

STANDARD DUTY PILLOW BLOCKS CAST HOUSING ECCENTRIC LOCKING COLLAR TYPE



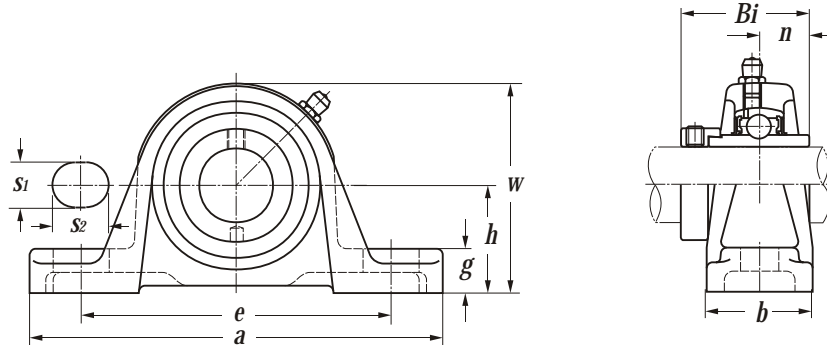
Shaft dia. mm inch	Unit number	Nominal dimensions mm inch										Bolt size mm inch	Bearing number	Housing number	Mass of unit Kg
		<i>h</i>	<i>a</i>	<i>e</i>	<i>b</i>	<i>s</i> ₁	<i>s</i> ₂	<i>g</i>	<i>w</i>	<i>Bi</i>	<i>n</i>				
20 3/4	UELAK 204	31.8	128	98	38	11.0	14	14	63.0	43.5	17.0	M10	UEL 204	AK 204	0.79
	UELAK 204-12	1-1/4	5-1/16	3-55/64	1-1/2	7/16	35/64	35/64	2-31/64	1.7126	0.6693	3/8	UEL 204-12	AK 204	0.80
25 13/16 7/8 15/16 1	UELAK 205	33.3	140	105	40	11.0	14	15	66.5	44.3	17.4	M10	UEL 205	AK 205	0.89
	UELAK 205-13												UEL 205-13		0.95
	UELAK 205-14												UEL 205-14	AK 205	0.93
	UELAK 205-15	1-5/16	5-3/64	4-9/64	1-37/64	7/16	35/64	19/32	2-5/8	1.7441	0.6850	3/8	UEL 205-15		0.91
UELAK 205-16												UEL 205-16		0.88	
30 1-1/16 1-1/8 1-3/16 1-1/4	UELAK 206	39.7	160	121	44	14.0	19	17	79.0	48.3	18.2	M12	UEL 206	AK 206	1.33
	UELAK 206-17												UEL 206-17		1.38
	UELAK 206-18												UEL 206-18	AK 206	1.35
	UELAK 206-19	1-9/16	6-19/64	4-49/64	1-47/64	35/64	3/4	43/64	3-7/64	1.9016	0.7165	7/16	UEL 206-19		1.32
	UELAK 206-20												UEL 206-20		1.30
35 1-1/4 1-5/16 1-3/8 1-7/16	UELAK 207	46	167	127	48	14.0	19	18	91.0	51.1	18.8	M12	UEL 207	AK 207	1.83
	UELAK 207-20												UEL 207-20		1.91
	UELAK 207-21												UEL 207-21	AK 207	1.88
	UELAK 207-22	1-13/16	6-37/64	5	1-57/64	35/64	3/4	45/64	3-37/64	2.0118	0.7402	7/16	UEL 207-22		1.84
UELAK 207-23												UEL 207-23		1.81	
40 1-1/2	UELAK 208	49.2	181	140	52	14.0	19	19	98.0	56.3	21.4	M12	UEL 208	AK 208	2.27
	UELAK 208-24	1-15/16	7-1/8	5-3/64	2-1/16	35/64	3/4	3/4	3-55/64	2.2165	0.8425	7/16	UEL 208-24	AK 208	2.32
45 1-5/8 1-11/16 1-3/4	UELAK 209	52.4	189	146	54	14.0	19	20	105.0	56.3	21.4	M12	UEL 209	AK 209	2.56
	UELAK 209-26												UEL 209-26		2.67
	UELAK 209-27	2-1/16	7-7/16	5-3/4	2-1/8	35/64	3/4	25/32	4-9/64	2.2165	0.8425	7/16	UEL 209-27	AK 209	2.62
UELAK 209-28												UEL 209-28		2.58	
50 1-7/8 1-15/16 2	UELAK 210	55.6	203	159	57	17.5	21	21	111.5	62.7	24.6	M16	UEL 210	AK 210	3.04
	UELAK 210-30												UEL 210-30		3.13
	UELAK 210-31	2-3/16	7-63/64	6-17/64	2-1/4	11/16	53/64	53/64	4-25/64	2.4685	0.9685	5/8	UEL 210-31	AK 210	3.07
	UELAK 210-32												UEL 210-32		3.01
55 2 2-1/16 2-1/8 2-3/16	UELAK 211	61.9	232	181	60	18.0	24	23	123.0	71.3	27.7	M16	UEL 211	AK 211	4.12
	UELAK 211-32												UEL 211-32		4.31
	UELAK 211-33												UEL 211-33	AK 211	4.25
	UELAK 211-34	2-7/16	9-9/64	7-1/8	2-23/64	45/64	15/16	29/32	4-27/32	2.8071	1.0906	5/8	UEL 211-34		4.17
	UELAK 211-35												UEL 211-35		4.09



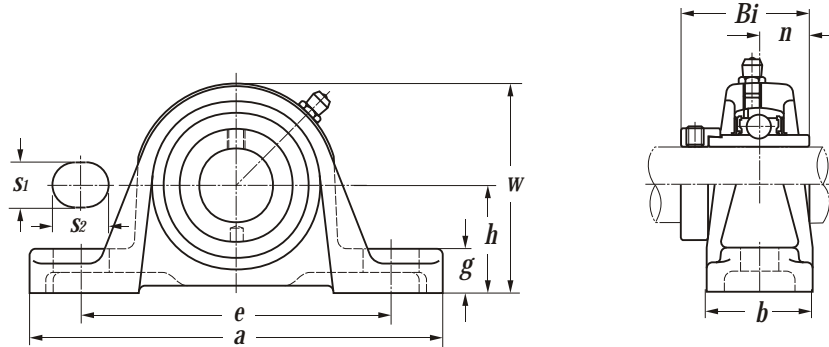
Shaft dia. mm inch	Unit number	Nominal dimensions										Bolt size mm inch	Bearing number	Housing number	Mass of unit Kg
		h	a	e	b	s ₁	s ₂	g	w	Bi	n				
60	UELAK 212	68.3	241	191	64	18.0	24	25	136.0	77.7	30.9	M16	UEL 212	AK 212	5.26
2-1/4	UELAK 212-36												UEL 212-36		5.42
2-5/16	UELAK 212-37												UEL 212-37		5.33
2-3/8	UELAK 212-38	2-11/16	9-31/64	7-3/64	2-3/64	45/64	15/16	63/64	5-23/64	3.0591	1.2165	5/8	UEL 212-38	AK 212	5.24
2-7/16	UELAK 212-39												UEL 212-39		5.15
65	UELAK 213	74.6	262	203	70	21.0	28	27	147.5	85.7	34.1	M20	UEL 213	AK 213	6.68
2-1/2	UELAK 213-40												UEL 213-40		6.78
2-9/16	UELAK 213-41	2-15/16	10-5/16	7-63/64	2-3/4	53/64	1-7/64	1-1/16	5-13/16	3.3740	1.3425	3/4	UEL 213-41	AK 213	6.67
70	UELAK 214	77.8	266	210	74	21.0	28	28	153.5	85.7	34.1	M20	UEL 214	AK 214	7.42
2-5/8	UELAK 214-42												UEL 214-42		7.66
2-11/16	UELAK 214-43	3-1/16	10-15/32	8-17/64	2-29/32	53/64	1-7/64	1-7/64	6-1/16	3.3740	1.3425	3/4	UEL 214-43	AK 214	7.55
2-3/4	UELAK 214-44												UEL 214-44		7.43
75	UELAK 215	82.6	304	241	78	22.0	32	30	162.0	92.1	37.3	M20	UEL 215	AK 215	9.19
2-13/16	UELAK 215-45												UEL 215-45		9.48
2-7/8	UELAK 215-46												UEL 215-46		9.35
2-15/16	UELAK 215-47	3-1/4	11-31/32	9-31/64	3-5/64	55/64	1-17/64	1-3/16	6-3/8	3.6260	1.4685	3/4	UEL 215-47	AK 215	9.22
3	UELAK 215-48												UEL 215-48		9.09



Technical Information



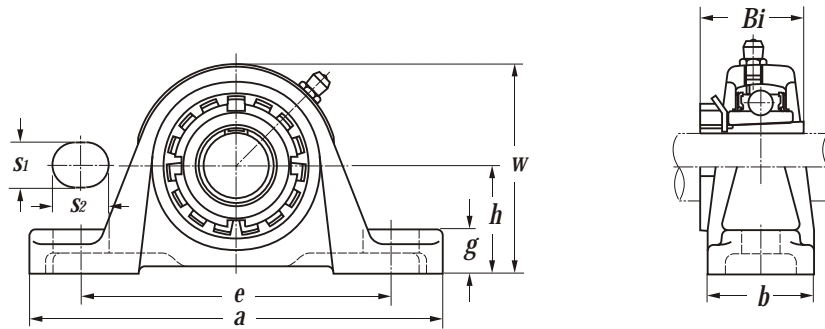
Shaft dia. mm inch	Unit number	Nominal dimensions mm inch										Bolt size mm inch	Bearing number	Housing number	Mass of unit Kg
		<i>h</i>	<i>a</i>	<i>e</i>	<i>b</i>	<i>s₁</i>	<i>s₂</i>	<i>g</i>	<i>w</i>	<i>Bi</i>	<i>n</i>				
12 1/2	UEL P 201	30.2	127	96	38	13	16	11	60.7	43.5	17.0	M10	UEL 201	P 203	0.74
	UEL P 201-8	1-3/16	5	3-25/32	1-1/2	3/64	5/8	7/16	2-25/64	1.7126	0.6693	3/8	UEL 201-8	P 203	0.74
15 9/16 5/8	UEL P 202	30.2	127	96	38	13	16	11	60.7	43.5	17.0	M10	UEL 202	P 203	0.72
	UEL P 202-9 UEL P 202-10	1-3/16	5	3-25/32	1-1/2	3/64	5/8	7/16	2-25/64	1.7126	0.6693	3/8	UEL 202-9 UEL 202-10	P 203	0.72 0.72
17 11/16	UEL P 203	30.2	127	96	38	13	16	11	60.7	43.5	17.0	M10	UEL 203	P 203	0.71
	UEL P 203-11	1-3/16	5	3-25/32	1-1/2	3/64	5/8	7/16	2-25/64	1.7126	0.6693	3/8	UEL 203-11	P 203	0.71
20 3/4	UEL P 204	33.3	127	96	35	13	16	14	65.0	43.5	17.0	M10	UEL 204	P 204	0.71
	UEL P 204-12	1-5/16	5	3-25/32	1-3/8	3/64	5/8	35/64	2-9/16	1.7126	0.6693	3/8	UEL 204-12	P 204	0.72
25 13/16 7/8 15/16 1	UEL P 205	36.5	140	105	36	13	19	15	71.0	44.3	17.4	M10	UEL 205	P 205	0.81
	UEL P 205-13												UEL 205-13		0.87
	UEL P 205-14												UEL 205-14		0.85
	UEL P 205-15 UEL P 205-16	1-7/16	5-3/64	4-9/64	1-27/64	3/64	3/4	19/32	2-51/64	1.7441	0.6850	3/8	UEL 205-15 UEL 205-16	P 205	0.83 0.80
30 1-1/16 1-1/8 1-3/16 1-1/4	UEL P 206	42.9	160	121	42	14	19	16	84.0	48.3	18.2	M12	UEL 206	P 206	1.31
	UEL P 206-17												UEL 206-17		1.36
	UEL P 206-18												UEL 206-18		1.33
	UEL P 206-19 UEL P 206-20	1-11/16	6-19/64	4-49/64	1-21/32	35/64	3/4	5/8	3-5/16	1.9016	0.7165	7/16	UEL 206-19 UEL 206-20	P 206	1.30 1.28
35 1-1/4 1-5/16 1-3/8 1-7/16	UEL P 207	47.6	167	127	45	15	19	17	94.0	51.1	18.8	M12	UEL 207	P 207	1.68
	UEL P 207-20												UEL 207-20		1.76
	UEL P 207-21												UEL 207-21		1.73
	UEL P 207-22 UEL P 207-23	1-7/8	6-37/64	5	1-49/64	19/32	3/4	43/64	3-45/64	2.0118	0.7402	7/16	UEL 207-22 UEL 207-23	P 207	1.69 1.66
40 1-1/2	UEL P 208	49.2	180	137	49	15	21	18	100.0	56.3	21.4	M12	UEL 208	P 208	2.02
	UEL P 208-24	1-15/16	7-3/32	5-25/64	1-59/64	19/32	53/64	45/64	3-15/16	2.2165	0.8425	7/16	UEL 208-24	P 208	2.07
45 1-5/8 1-11/16 1-3/4	UEL P 209	54.0	189	146	50	15	21	20	107.5	56.3	21.4	M12	UEL 209	P 209	2.36
	UEL P 209-26												UEL 209-26		2.47
	UEL P 209-27 UEL P 209-28	2-1/8	7-7/16	5-3/4	1-31/32	19/32	53/64	25/32	4-15/64	2.2165	0.8425	7/16	UEL 209-27 UEL 209-28	P 209	2.42 2.38
50 1-7/8 1-15/16 2	UEL P 210	57.2	204	159	56	19	22	21	114.0	62.7	24.6	M16	UEL 210	P 210	2.94
	UEL P 210-30												UEL 210-30		3.03
	UEL P 210-31 UEL P 210-32	2-1/4	8-1/64	6-17/64	2-13/64	3/4	55/64	53/64	4-31/64	2.4685	0.9685	5/8	UEL 210-31 UEL 210-32	P 210	2.97 2.91



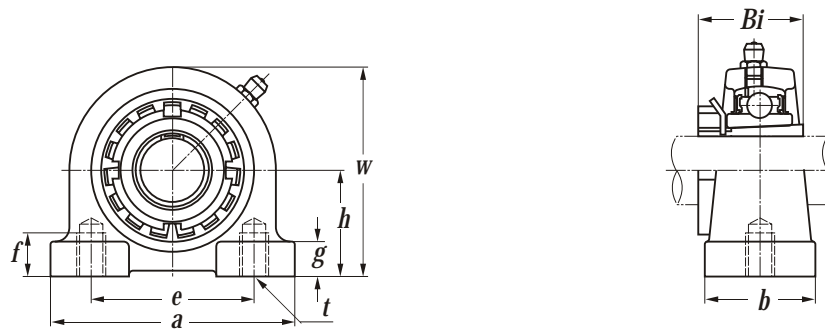
Shaft dia. mm inch	Unit number	Nominal dimensions										Bolt size mm inch	Bearing number	Housing number	Mass of unit Kg
		h	a	e	b	s ₁	s ₂	g	w	Bi	n				
55 2 2-1/16 2-1/8 2-3/16	UEL P 211	63.5	217	172	58	19	22	22	126.0	71.3	27.7	M16	UEL 211	P 211	3.59
	UEL P 211-32												UEL 211-32		3.78
	UEL P 211-33												UEL 211-33		3.72
	UEL P 211-34	2-1/2	8-35/64	6-49/64	2-9/32	3/4	55/64	55/64	4-61/64	2.8071	1.0906	5/8	UEL 211-34	P 211	3.64
	UEL P 211-35												UEL 211-35		3.56
60 2-1/4 2-5/16 2-3/8 2-7/16	UEL P 212	69.9	238	186	64	19	25	24	139.0	77.7	30.9	M16	UEL 212	P 212	4.95
	UEL P 212-36												UEL 212-36		5.11
	UEL P 212-37												UEL 212-37		5.02
	UEL P 212-38	2-3/4	9-3/8	7-21/64	2-3/64	3/4	63/64	15/16	5-15/32	3.0591	1.2165	5/8	UEL 212-38	P 212	4.93
65 2-1/2 2-9/16	UEL P 213	76.2	262	203	70	23	29	26	149.0	85.7	34.1	M20	UEL 213	P 213	6.35
	UEL P 213-40												UEL 213-40		6.45
	UEL P 213-41	3	10-5/16	7-63/64	2-3/4	29/32	1-9/64	1-1/64	5-55/64	3.3740	1.3425	3/4	UEL 213-41	P 213	6.34
70 2-5/8 2-11/16 2-3/4	UEL P 214	79.4	266	210	72	23	29	27	155.0	85.7	34.1	M20	UEL 214	P 214	6.95
	UEL P 214-42												UEL 214-42		7.19
	UEL P 214-43	3-1/8	10-15/32	8-17/64	2-53/64	29/32	1-9/64	1-1/16	6-7/64	3.3740	1.3425	3/4	UEL 214-43	P 214	7.08
75 2-13/16 2-7/8 2-15/16 3	UEL P 215	82.6	274	217	74	25	29	28	161.6	92.1	37.3	M20	UEL 215	P 215	7.70
	UEL P 215-45												UEL 215-45		7.99
	UEL P 215-46												UEL 215-46		7.86
	UEL P 215-47	3-1/4	10-25/32	8-35/64	2-29/32	63/64	1-9/64	1-7/64	6-23/64	3.6260	1.4685	3/4	UEL 215-47	P 215	7.73
	UEL P 215-48												UEL 215-48		7.60



Technical Information



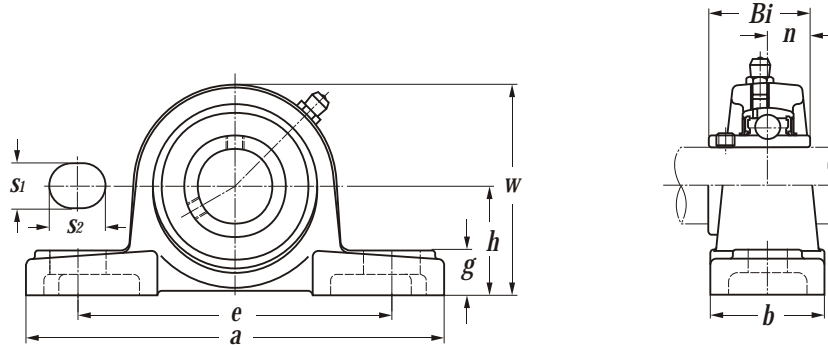
Shaft dia. mm	Unit number	Nominal dimensions mm									Bolt size mm	Bearing number	Housing number	Mass of unit Kg
		<i>h</i>	<i>a</i>	<i>e</i>	<i>b</i>	<i>s₁</i>	<i>s₂</i>	<i>g</i>	<i>w</i>	<i>Bi</i>				
20	UKP 205	36.5	140	105	36	13	19	15	71.0	35	M10	UK 205	P 205	0.71
25	UKP 206	42.9	160	121	42	14	19	16	84.0	38	M12	UK 206	P 206	1.15
30	UKP 207	47.6	167	127	45	15	19	17	94.0	43	M12	UK 207	P 207	1.45
35	UKP 208	49.2	180	137	49	15	21	18	100.0	46	M12	UK 208	P 208	1.72
40	UKP 209	54.0	189	146	50	15	21	20	107.5	50	M12	UK 209	P 209	2.04
45	UKP 210	57.2	204	159	56	19	22	21	114.0	55	M16	UK 210	P 210	2.52
50	UKP 211	63.5	217	172	58	19	22	22	126.0	59	M16	UK 211	P 211	3.03
55	UKP 212	69.9	238	186	64	19	25	24	139.0	62	M16	UK 212	P 212	4.25
60	UKP 213	76.2	262	203	70	23	29	26	149.0	65	M20	UK 213	P 213	5.31


Technical Information


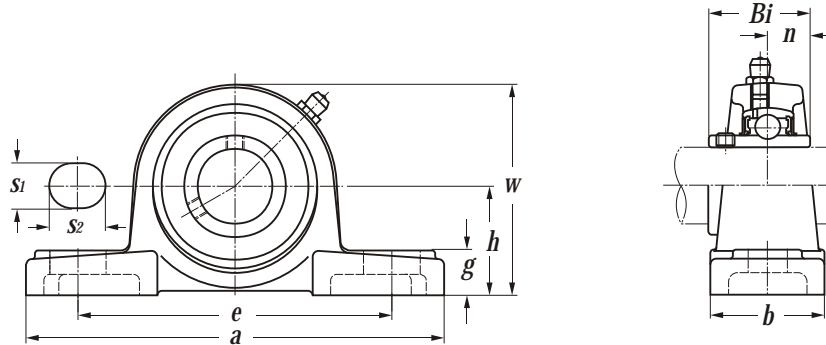
Shaft dia. mm	Unit number	Nominal dimensions mm									Bolt size mm	Bearing number	Housing number	Mass of unit Kg
		<i>h</i>	<i>a</i>	<i>e</i>	<i>b</i>	<i>g</i>	<i>w</i>	<i>f</i>	<i>t</i>	<i>Bi</i>				
20	UKPA 205	36.5	84	56	38	12	72	15	M10	35	M10	UK 205	PA 205	0.65
25	UKPA 206	42.9	94	66	48	13	84	18	M14	38	M14	UK 206	PA 206	1.00
30	UKPA 207	47.6	110	80	48	13	95	20	M14	43	M14	UK 207	PA 207	1.39
35	UKPA 208	49.2	116	84	54	13	100	20	M14	46	M14	UK 208	PA 208	1.59
40	UKPA 209	54.2	120	90	60	13	108	25	M14	50	M14	UK 209	PA 209	2.02
45	UKPA 210	57.2	130	94	60	14	116	25	M16	55	M16	UK 210	PA 210	2.32
50	UKPA 211	63.5	140	104	66	14	125	25	M16	59	M16	UK 211	PA 211	2.82
55	UKPA 212	69.9	150	114	68	15	138	25	M16	62	M16	UK 212	PA 212	3.67
60	UKPA 213	76.2	160	124	70	15	150	25	M16	65	M16	UK 213	PA 213	4.46



Technical Information



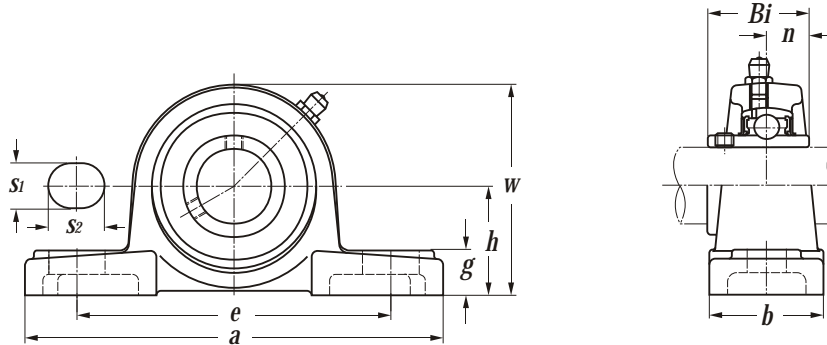
Shaft dia. mm inch	Unit number	Nominal dimensions										Bolt size mm inch	Bearing number	Housing number	Mass of unit Kg
		h	a	e	b	s ₁	s ₂	g	w	Bi	n				
25	UCP X05	44.4	159	119	51	17	20	17	85	38.1	15.9	M14	UC X05	P X05	1.48
13/16	UCP X05-13												UC X05-13		1.53
7/8	UCP X05-14												UC X05-14	P X05	1.51
15/16	UCP X05-15	1-3/4	6-17/64	4-11/16	2-1/64	43/64	25/32	43/64	3-11/32	1.5000	0.6260	1/2	UC X05-15		1.49
1	UCP X05-16												UC X05-16		1.47
30	UCP X06	47.6	175	127	54	17	20	20	93	42.9	17.5	M14	UC X06	P X06	1.85
1-1/16	UCP X06-17												UC X06-17		1.87
1-1/8	UCP X06-18												UC X06-18	P X06	1.86
1-3/16	UCP X06-19	1-7/8	6-57/64	5	2-1/8	43/64	25/32	25/32	3-21/32	1.6890	0.6890	1/2	UC X06-19		1.83
1-1/4	UCP X06-20												UC X06-20		1.82
35	UCP X07	54.0	203	144	57	17	20	21	105	49.2	19.0	M14	UC X07	P X07	2.49
1-1/4	UCP X07-20												UC X07-20		2.53
1-5/16	UCP X07-21												UC X07-21	P X07	2.52
1-3/8	UCP X07-22	2-1/8	7-63/64	5-43/64	2-1/4	43/64	25/32	53/64	4-9/64	1.9370	0.7480	1/2	UC X07-22		2.51
1-7/16	UCP X07-23												UC X07-23		2.47
40	UCP X08	58.7	222	156	65	20	23	23	112	49.2	19.0	M16	UC X08	P X08	3.13
1-1/2	UCP X08-24	2-5/16	8-47/64	6-9/64	2-9/16	25/32	29/32	29/32	4-13/32	1.9370	0.7480	5/8	UC X08-24	P X08	3.17
45	UCP X09	58.7	222	156	67	20	23	25	116	51.6	19.0	M16	UC X09	P X09	3.35
1-5/8	UCP X09-26												UC X09-26		3.50
1-11/16	UCP X09-27	2-5/16	8-47/64	6-9/64	2-41/64	25/32	29/32	63/64	4-9/16	2.0315	0.7480	5/8	UC X09-27	P X09	3.41
1-3/4	UCP X09-28												UC X09-28		3.37
50	UCP X10	63.5	240	171	71	20	23	25	126	55.6	22.2	M16	UC X10	P X10	4.17
1-7/8	UCP X10-30												UC X10-30		4.31
1-15/16	UCP X10-31	2-1/2	9-29/64	6-47/64	2-51/64	25/32	29/32	63/64	4-61/64	2.1890	0.8740	5/8	UC X10-31	P X10	4.20
2	UCP X10-32												UC X10-32		4.14
55	UCP X11	69.8	260	184	79	25	28	29	137	65.1	25.4	M20	UC X11	P X11	5.65
2	UCP X11-32												UC X11-32		5.86
2-1/16	UCP X11-33												UC X11-33	P X11	5.83
2-1/8	UCP X11-34	2-3/4	10-15/64	7-1/4	3-7/64	63/64	1-7/64	1-9/64	5-25/64	2.5630	1.0000	3/4	UC X11-34		5.80
2-3/16	UCP X11-35												UC X11-35		5.63



Shaft dia. mm inch	Unit number	Nominal dimensions										Bolt size mm inch	Bearing number	Housing number	Mass of unit Kg
		h	a	e	b	s ₁	s ₂	g	w	Bi	n				
60	UCP X12	76.2	280	203	81	25	28	31	149	65.1	25.4	M20	UC X12	P X12	6.80
2-1/4	UCP X12-36												UC X12-36		6.86
2-5/16	UCP X12-37												UC X12-37		6.83
2-3/8	UCP X12-38	3	11-1/64	7-63/64	3-3/16	63/64	1-7/64	1-7/32	5-55/64	2.5630	1.0000	3/4	UC X12-38	P X12	6.78
2-7/16	UCP X12-39												UC X12-39		6.70
65	UCP X13	76.2	286	203	83	25	28	33	152	74.6	30.2	M20	UC X13	P X13	7.42
2-1/2	UCP X13-40												UC X13-40		7.51
2-9/16	UCP X13-41	3	11-17/64	7-63/64	3-17/64	63/64	1-7/64	1-19/64	5-63/64	2.9370	1.1890	3/4	UC X13-41	P X13	7.37
70	UCP X14	88.9	320	229	85	27	30	34	170	77.8	33.3	M22	UC X14	P X14	9.59
2-5/8	UCP X14-42												UC X14-42		9.63
2-11/16	UCP X14-43	3-1/2	12-19/32	9-1/64	3-11/32	1-1/16	1-3/16	1-11/32	6-11/16	3.0630	1.3110	7/8	UC X14-43	P X14	9.61
2-3/4	UCP X14-44												UC X14-44		9.60
75	UCP X15	88.9	330	229	92	27	30	35	175	82.6	33.3	M22	UC X15	P X15	10.91
2-13/16	UCP X15-45												UC X15-45		11.00
2-7/8	UCP X15-46	3-1/2	12-63/64	9-1/64	3-5/8	1-1/16	1-3/16	1-3/8	6-57/64	3.2520	1.3110	7/8	UC X15-46	P X15	10.97
2-15/16	UCP X15-47												UC X15-47		10.94
3	UCP X15-48												UC X15-48		10.82
80	UCP X16	101.6	378	283	99	27	30	37	194	85.7	34.1	M22	UC X16	P X16	15.09
3-1/16	UCP X16-49												UC X16-49		15.15
3-1/8	UCP X16-50	4	14-7/8	11-9/16	3-57/64	1-1/16	1-3/16	1-29/64	7-41/64	3.3740	1.3425	7/8	UC X16-50	P X16	15.12



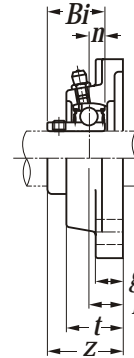
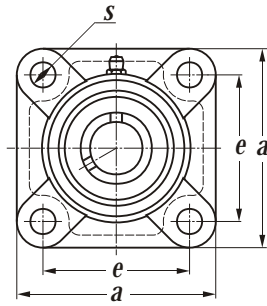
Technical Information



Shaft dia. mm inch	Unit number	Nominal dimensions										Bolt size mm inch	Bearing number	Housing number	Mass of unit Kg
		h	a	e	b	s ₁	s ₂	g	w	Bi	n				
25	UCP 305	45	173	132	45	17	20	15	85	38	15	M14	UC 305	P 305	1.27
13/16	UCP 305-13												UC 305-13		1.31
7/8	UCP 305-14												UC 305-14	P 305	1.30
15/16	UCP 305-15	1-49/64	6-13/16	5-13/64	1-49/64	43/64	25/32	19/32	3-11/32	1.4961	0.5906	1/2	UC 305-15		1.28
1	UCP 305-16												UC 305-16		1.26
30	UCP 306	50	180	140	50	17	20	15	95	43	17	M14	UC 306	P 306	1.86
1-1/16	UCP 306-17												UC 306-17		1.89
1-1/8	UCP 306-18												UC 306-18	P 306	1.88
1-3/16	UCP 306-19	1-31/32	7-3/32	5-3/64	1-31/32	43/64	25/32	19/32	3-47/64	1.6929	0.6693	1/2	UC 306-19		1.85
1-1/4	UCP 306-20												UC 306-20		1.84
35	UCP 307	56	210	160	56	17	25	19	106	48	19	M14	UC 307	P 307	2.66
1-1/4	UCP 307-20												UC 307-20		2.72
1-5/16	UCP 307-21												UC 307-21	P 307	2.69
1-3/8	UCP 307-22	2-13/64	8-17/64	6-19/64	2-13/64	43/64	63/64	3/4	4-11/64	1.8898	0.7480	1/2	UC 307-22		2.68
1-7/16	UCP 307-23												UC 307-23		2.65
40	UCP 308	60	218	170	62	18	25	19	116	52	19	M14	UC 308	P 308	3.37
1-1/2	UCP 308-24	2-23/64	8-37/64	6-11/16	2-7/16	45/64	63/64	3/4	4-9/16	2.0472	0.7480	1/2	UC 308-24	P 308	3.41
45	UCP 309	67	244	190	66	20	26	23	129	57	22	M16	UC 309	P 309	4.26
1-5/8	UCP 309-26												UC 309-26		4.34
1-11/16	UCP 309-27	2-41/64	9-39/64	7-31/64	2-19/32	25/32	1-1/64	29/32	5-5/64	2.2441	0.8661	5/8	UC 309-27	P 309	4.31
1-3/4	UCP 309-28												UC 309-28		4.28
50	UCP 310	75	271	212	74	20	30	26	143	61	22	M16	UC 310	P 310	6.17
1-7/8	UCP 310-30												UC 310-30		6.26
1-15/16	UCP 310-31	2-61/64	10-43/64	8-11/32	2-29/32	25/32	1-3/16	1-1/64	5-5/8	2.4016	0.8661	5/8	UC 310-31	P 310	6.20
2	UCP 310-32												UC 310-32		6.16
55	UCP 311	80	300	236	80	20	32	29	154	66	25	M16	UC 311	P 311	7.12
2	UCP 311-32												UC 311-32		7.30
2-1/16	UCP 311-33												UC 311-33	P 311	7.16
2-1/8	UCP 311-34	3-5/32	11-13/16	9-19/64	3-5/32	25/32	1-17/64	1-9/64	6-1/16	2.5984	0.9843	5/8	UC 311-34		7.14
2-3/16	UCP 311-35												UC 311-35		7.09



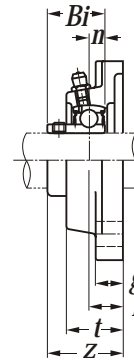
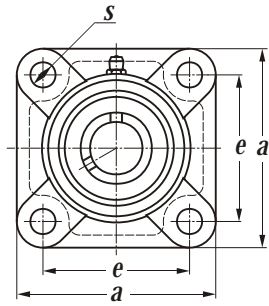
Technical Information



Shaft dia. mm inch	Unit number	Nominal dimensions									Bolt size mm inch	Bearing number	Housing number	Mass of unit Kg
		<i>a</i>	<i>e</i>	<i>i</i>	<i>g</i>	<i>t</i>	<i>s</i>	<i>z</i>	<i>Bi</i>	<i>n</i>				
20 3/4	SBFS 204	86	63.5	19	15	29.5	11.5	37.0	25	7.0	M10	SB 204	FS 204	0.59
	SBFS 204-12	3-25/64	2-1/2	3/4	19/32	1-5/32	29/64	1-29/64	0.9843	0.2756	3/8	SB 204-12	FS 204	0.61
25 13/16 7/8 15/16 1	SBFS 205	93	70	19	15	30.0	11.5	38.5	27	7.5	M10	SB 205	FS 205	0.72
	SBFS 205-13	3-21/32	2-3/4	3/4	19/32	1-3/16	29/64	1-3/64	1.0630	0.2953	3/8	SB 205-13	FS 205	0.75
	SBFS 205-14											SB 205-14		0.74
	SBFS 205-15											SB 205-15		0.73
SBFS 205-16	SB 205-16											0.71		
30 1-1/16 1-1/8 1-3/16 1-1/4	SBFS 206	106	82.5	20	16	32.5	13.0	41.0	29	8.0	M12	SB 206	FS 206	0.95
	SBFS 206-17	4-11/64	3-1/4	25/32	5/8	1-9/32	3/64	1-39/64	1.1417	0.3150	7/16	SB 206-17	FS 206	0.97
	SBFS 206-18											SB 206-18		0.96
	SBFS 206-19											SB 206-19		0.94
SBFS 206-20	SB 206-20											0.93		
35 1-1/4 1-5/16 1-3/8 1-7/16	SBFS 207	116	92	21	17	35.0	13.0	44.5	32	8.5	M12	SB 207	FS 207	1.25
	SBFS 207-20	4-9/16	3-5/8	53/64	43/64	1-3/8	3/64	1-3/4	1.2598	0.3543	7/16	SB 207-20	FS 207	1.30
	SBFS 207-21											SB 207-21		1.29
	SBFS 207-22											SB 207-22		1.28
SBFS 207-23	SB 207-23											1.24		
40 1-1/2	SBFS 208	129	101.5	24	17	39.0	14.0	48.5	34	9.5	M12	SB 208	FS 208	1.60
	SBFS 208-24	5-5/64	3-63/64	15/16	43/64	1-17/32	35/64	1-29/32	1.3386	0.3740	7/16	SB 208-24	FS 208	1.64



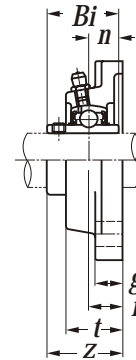
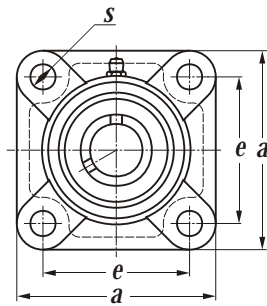
Technical Information



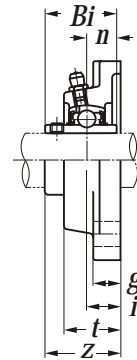
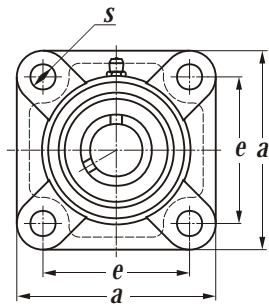
Shaft dia. mm inch	Unit number	Nominal dimensions									Bolt size mm inch	Bearing number	Housing number	Mass of unit Kg
		a	e	i	g	t	s	z	Bi	n				
20 3/4	SBF 204	86	64	15	12	25.5	12	33.0	25	7.0	M10	SB 204	F 204	0.49
	SBF 204-12	3-25/64	2-3/64	19/32	15/32	1	15/32	1-19/64	0.9843	0.2756	3/8	SB 204-12	F 204	0.51
25 13/16 7/8 15/16 1	SBF 205	95	70	16	13	27.0	12	35.5	27	7.5	M10	SB 205	F 205	0.70
	SBF 205-13	3-47/64	2-3/4	5/8	3/64	1-1/16	15/32	1-25/64	1.0630	0.2953	3/8	SB 205-13	F 205	0.73
	SBF 205-14											SB 205-14		0.72
	SBF 205-15											SB 205-15		0.71
SBF 205-16	SB 205-16											0.69		
30 1-1/16 1-1/8 1-3/16 1-1/4	SBF 206	108	83	18	13	31.0	12	39.0	29	8.0	M10	SB 206	F 206	0.99
	SBF 206-17	4-1/4	3-17/64	45/64	3/64	1-7/32	15/32	1-17/32	1.1417	0.3150	3/8	SB 206-17	F 206	1.01
	SBF 206-18											SB 206-18		1.00
	SBF 206-19											SB 206-19		0.98
SBF 206-20	SB 206-20											0.97		
35 1-1/4 1-5/16 1-3/8 1-7/16	SBF 207	117	92	19	15	34.0	14	42.5	32	8.5	M12	SB 207	F 207	1.25
	SBF 207-20	4-39/64	3-5/8	3/4	19/32	1-11/32	35/64	1-43/64	1.2598	0.3543	7/16	SB 207-20	F 207	1.30
	SBF 207-21											SB 207-21		1.29
	SBF 207-22											SB 207-22		1.28
SBF 207-23	SB 207-23											1.24		
40 1-1/2	SBF 208	130	102	21	15	36.0	16	45.5	34.0	9.5	M14	SB 208	F 208	1.63
	SBF 208-24	5-1/8	4-1/64	53/64	19/32	1-27/64	5/8	1-51/64	1.3386	0.3740	1/2	SB 208-24	F 208	1.67



Technical Information



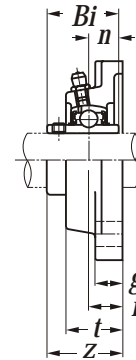
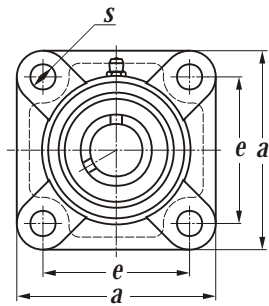
Shaft dia. mm inch	Unit number	Nominal dimensions									Bolt size mm inch	Bearing number	Housing number	Mass of unit Kg
		a	e	i	g	t	s	z	Bi	n				
20 3/4	UCFS 204	86	63.5	19	15	29.5	11.5	37.3	31.0	12.7	M10	UC 204	FS 204	0.63
	UCFS 204-12	3-25/64	2-1/2	3/4	19/32	1-5/32	29/64	1-15/32	1.2205	0.5000	3/8	UC 204-12	FS 204	0.64
25 13/16 7/8 15/16 1	UCFS 205	93	70	19	15	30.0	11.5	38.7	34.0	14.3	M10	UC 205	FS 205	0.76
	UCFS 205-13	3-21/32	2-3/4	3/4	19/32	1-3/16	29/64	1-17/32	1.3386	0.5630	3/8	UC 205-13	FS 205	0.80
	UCFS 205-14											UC 205-14		0.78
	UCFS 205-15											UC 205-15		0.77
UCFS 205-16	UC 205-16											0.75		
30 1-1/16 1-1/8 1-3/16 1-1/4	UCFS 206	106	82.5	20	16	32.5	13.0	42.2	38.1	15.9	M12	UC 206	FS 206	1.01
	UCFS 206-17	4-11/64	3-1/4	25/32	5/8	1-9/32	3/64	1-21/32	1.5000	0.6260	7/16	UC 206-17	FS 206	1.05
	UCFS 206-18											UC 206-18		1.03
	UCFS 206-19											UC 206-19		1.00
UCFS 206-20	UC 206-20											0.99		
35 1-1/4 1-5/16 1-3/8 1-7/16	UCFS 207	116	92	21	17	35.0	13.0	46.4	42.9	17.5	M12	UC 207	FS 207	1.34
	UCFS 207-20	4-9/16	3-5/8	53/64	43/64	1-3/8	3/64	1-53/64	1.6890	0.6890	7/16	UC 207-20	FS 207	1.40
	UCFS 207-21											UC 207-21		1.38
	UCFS 207-22											UC 207-22		1.35
UCFS 207-23	UC 207-23											1.32		
40 1-1/2	UCFS 208	129	101.5	24	17	39.0	14.0	54.2	49.2	19.0	M12	UC 208	FS 208	1.74
	UCFS 208-24	5-5/64	3-63/64	15/16	43/64	1-17/32	35/64	2-9/64	1.9370	0.7480	7/16	UC 208-24	FS 208	1.78
45 1-5/8 1-11/16 1-3/4	UCFS 209	135	105	24	18	40.0	16.0	54.2	49.2	19.0	M14	UC 209	FS 209	1.98
	UCFS 209-26	5-5/16	4-9/64	15/16	45/64	1-37/64	5/8	2-9/64	1.9370	0.7480	9/16	UC 209-26	FS 209	2.08
	UCFS 209-27											UC 209-27		2.04
UCFS 209-28	UC 209-28											2.00		
50 1-7/8 1-15/16 2	UCFS 210	143	111	28	20	45.0	16.0	60.6	51.6	19.0	M14	UC 210	FS 210	2.43
	UCFS 210-30	5-5/8	4-3/8	1-7/64	25/32	1-49/64	5/8	2-25/64	2.0315	0.7480	9/16	UC 210-30	FS 210	2.50
	UCFS 210-31											UC 210-31		2.45
UCFS 210-32	UC 210-32											2.41		
55 2 2-1/16 2-1/8 2-3/16	UCFS 211	162	130	31	21	49.0	17.0	64.4	55.6	22.2	M14	UC 211	FS 211	3.43
	UCFS 211-32	6-3/8	5-1/8	1-7/32	53/64	1-59/64	43/64	2-17/32	2.1890	0.8740	9/16	UC 211-32	FS 211	3.58
	UCFS 211-33											UC 211-33		3.53
	UCFS 211-34											UC 211-34		3.48
UCFS 211-35	UC 211-35											3.41		



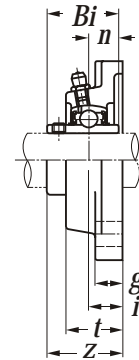
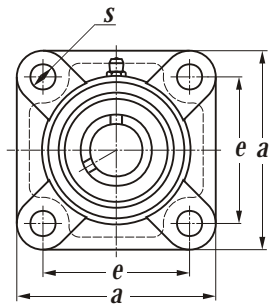
Shaft dia. mm inch	Unit number	Nominal dimensions									Bolt size mm inch	Bearing number	Housing number	Mass of unit Kg
		<i>a</i>	<i>e</i>	<i>i</i>	<i>g</i>	<i>t</i>	<i>s</i>	<i>z</i>	<i>Bi</i>	<i>n</i>				
60	UCFS 212	175	143	34	22	53.5	17.0	73.7	65.1	25.4	M14	UC 212	FS 212	4.24
2-1/4	UCFS 212-36											UC 212-36		4.38
2-5/16	UCFS 212-37											UC 212-37		4.31
2-3/8	UCFS 212-38	6-57/64	5-5/8	1-11/32	55/64	2-7/64	43/64	2-29/32	2.5630	1.0000	9/16	UC 212-38	FS 212	4.22
2-7/16	UCFS 212-39											UC 212-39		4.16
65	UCFS 213	184	149	38	22	58.0	18.0	77.7	65.1	25.4	M16	UC 213	FS 213	5.11
2-1/2	UCFS 213-40											UC 213-40		5.19
2-9/16	UCFS 213-41	7-1/4	5-55/64	1-1/2	55/64	2-9/32	45/64	3-1/16	2.5630	1.0000	5/8	UC 213-41	FS 213	5.03
70	UCFS 214	188	152	38	23	60.0	18.0	82.4	74.6	30.2	M16	UC 214	FS 214	5.30
2-5/8	UCFS 214-42											UC 214-42		5.33
2-11/16	UCFS 214-43	7-13/32	5-63/64	1-1/2	29/32	2-23/64	45/64	3-1/4	2.9370	1.1890	5/8	UC 214-43	FS 214	5.32
2-3/4	UCFS 214-44											UC 214-44		5.31
75	UCFS 215	200	152.4	41	24	62.0	20.0	85.5	77.8	33.3	M16	UC 215	FS 215	6.38
2-13/16	UCFS 215-45											UC 215-45		6.47
2-7/8	UCFS 215-46											UC 215-46		6.43
2-15/16	UCFS 215-47	7-7/8	6	1-39/64	15/16	2-7/16	25/32	3-23/64	3.0630	1.3110	11/16	UC 215-47	FS 215	6.41
3	UCFS 215-48											UC 215-48		6.30



Technical Information



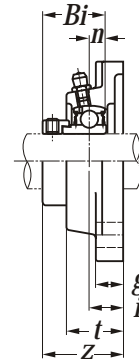
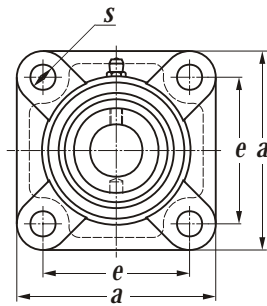
Shaft dia. mm inch	Unit number	Nominal dimensions									Bolt size mm inch	Bearing number	Housing number	Mass of unit Kg
		mm		inch										
		a	e	i	g	t	s	z	Bi	n				
12 1/2	UCF 201	86	64	15	12	25.5	12	33.3	31.0	12.7	M10	UC 201	F 204	0.57
	UCF 201-8	3-25/64	2-3/64	19/32	15/32	1	15/32	1-5/16	1.2205	0.5000	3/8	UC 201-8	F 204	0.57
15 9/16 5/8	UCF 202	86	64	15	12	25.5	12	33.3	31.0	12.7	M10	UC 202	F 204	0.56
	UCF 202-9	3-25/64	2-3/64	19/32	15/32	1	15/32	1-5/16	1.2205	0.5000	3/8	UC 202-9	F 204	0.56
	UCF 202-10	3-25/64	2-3/64	19/32	15/32	1	15/32	1-5/16	1.2205	0.5000	3/8	UC 202-10	F 204	0.56
17 11/16	UCF 203	86	64	15	12	25.5	12	33.3	31.0	12.7	M10	UC 203	F 204	0.55
	UCF 203-11	3-25/64	2-3/64	19/32	15/32	1	15/32	1-5/16	1.2205	0.5000	3/8	UC 203-11	F 204	0.55
20 3/4	UCF 204	86	64	15	12	25.5	12	33.3	31.0	12.7	M10	UC 204	F 204	0.53
	UCF 204-12	3-25/64	2-3/64	19/32	15/32	1	15/32	1-5/16	1.2205	0.5000	3/8	UC 204-12	F 204	0.54
25 13/16 7/8 15/16 1	UCF 205	95	70	16	13	27.0	12	35.7	34.0	14.3	M10	UC 205	F 205	0.74
	UCF 205-13	3-47/64	2-3/4	5/8	3/4	1-1/16	15/32	1-13/32	1.3386	0.5630	3/8	UC 205-13	F 205	0.78
	UCF 205-14	3-47/64	2-3/4	5/8	3/4	1-1/16	15/32	1-13/32	1.3386	0.5630	3/8	UC 205-14	F 205	0.76
	UCF 205-15	3-47/64	2-3/4	5/8	3/4	1-1/16	15/32	1-13/32	1.3386	0.5630	3/8	UC 205-15	F 205	0.75
	UCF 205-16	3-47/64	2-3/4	5/8	3/4	1-1/16	15/32	1-13/32	1.3386	0.5630	3/8	UC 205-16	F 205	0.73
30 1-1/16 1-1/8 1-3/16 1-1/4	UCF 206	108	83	18	13	31.0	12	40.2	38.1	15.9	M10	UC 206	F 206	1.05
	UCF 206-17	4-1/4	3-17/64	45/64	3/4	1-7/32	15/32	1-37/64	1.5000	0.6260	3/8	UC 206-17	F 206	1.09
	UCF 206-18	4-1/4	3-17/64	45/64	3/4	1-7/32	15/32	1-37/64	1.5000	0.6260	3/8	UC 206-18	F 206	1.07
	UCF 206-19	4-1/4	3-17/64	45/64	3/4	1-7/32	15/32	1-37/64	1.5000	0.6260	3/8	UC 206-19	F 206	1.04
	UCF 206-20	4-1/4	3-17/64	45/64	3/4	1-7/32	15/32	1-37/64	1.5000	0.6260	3/8	UC 206-20	F 206	1.03
35 1-1/4 1-5/16 1-3/8 1-7/16	UCF 207	117	92	19	15	34.0	14	44.4	42.9	17.5	M12	UC 207	F 207	1.34
	UCF 207-20	4-39/64	3-5/8	3/4	19/32	1-11/32	35/64	1-3/4	1.6890	0.6890	7/16	UC 207-20	F 207	1.40
	UCF 207-21	4-39/64	3-5/8	3/4	19/32	1-11/32	35/64	1-3/4	1.6890	0.6890	7/16	UC 207-21	F 207	1.38
	UCF 207-22	4-39/64	3-5/8	3/4	19/32	1-11/32	35/64	1-3/4	1.6890	0.6890	7/16	UC 207-22	F 207	1.35
	UCF 207-23	4-39/64	3-5/8	3/4	19/32	1-11/32	35/64	1-3/4	1.6890	0.6890	7/16	UC 207-23	F 207	1.32
40 1-1/2	UCF 208	130	102	21	15	36.0	16	51.2	49.2	19.0	M14	UC 208	F 208	1.77
	UCF 208-24	5-1/8	4-1/64	53/64	19/32	1-27/64	5/8	2-1/64	1.9370	0.7480	1/2	UC 208-24	F 208	1.81
45 1-5/8 1-11/16 1-3/4	UCF 209	137	105	22	16	38.0	16	52.2	49.2	19.0	M14	UC 209	F 209	2.05
	UCF 209-26	5-25/64	4-9/64	55/64	5/8	1-1/2	5/8	2-1/16	1.9370	0.7480	1/2	UC 209-26	F 209	2.15
	UCF 209-27	5-25/64	4-9/64	55/64	5/8	1-1/2	5/8	2-1/16	1.9370	0.7480	1/2	UC 209-27	F 209	2.11
	UCF 209-28	5-25/64	4-9/64	55/64	5/8	1-1/2	5/8	2-1/16	1.9370	0.7480	1/2	UC 209-28	F 209	2.07
50 1-7/8 1-15/16 2	UCF 210	143	111	22	16	40.0	16	54.6	51.6	19.0	M14	UC 210	F 210	2.35
	UCF 210-30	5-5/8	4-3/8	55/64	5/8	1-37/64	5/8	2-5/32	2.0315	0.7480	1/2	UC 210-30	F 210	2.42
	UCF 210-31	5-5/8	4-3/8	55/64	5/8	1-37/64	5/8	2-5/32	2.0315	0.7480	1/2	UC 210-31	F 210	2.37
	UCF 210-32	5-5/8	4-3/8	55/64	5/8	1-37/64	5/8	2-5/32	2.0315	0.7480	1/2	UC 210-32	F 210	2.33



Shaft dia. mm inch	Unit number	Nominal dimensions									Bolt size mm inch	Bearing number	Housing number	Mass of unit Kg
		mm		inch										
		a	e	i	g	t	s	z	Bi	n				
55	UCF 211	162	130	25	18	43.0	19	58.4	55.6	22.2	M16	UC 211	F 211	3.00
2	UCF 211-32											UC 211-32		3.15
2-1/16	UCF 211-33											UC 211-33	F 211	3.10
2-1/8	UCF 211-34	6-3/8	5-1/8	63/64	45/64	1-11/16	3/4	2-19/64	2.1890	0.8740	5/8	UC 211-34		3.05
2-3/16	UCF 211-35											UC 211-35		2.98
60	UCF 212	175	143	29	18	48.0	19	68.7	65.1	25.4	M16	UC 212	F 212	3.57
2-1/4	UCF 212-36											UC 212-36		3.71
2-5/16	UCF 212-37											UC 212-37	F 212	3.64
2-3/8	UCF 212-38	6-57/64	5-5/8	1-9/64	45/64	1-57/64	3/4	2-45/64	2.5630	1.0000	5/8	UC 212-38		3.55
2-7/16	UCF 212-39											UC 212-39		3.49
65	UCF 213	187	149	30	22	50.0	19	69.7	65.1	25.4	M16	UC 213	F 213	4.92
2-1/2	UCF 213-40											UC 213-40		5.00
2-9/16	UCF 213-41	7-23/64	5-55/64	1-3/16	55/64	1-31/32	3/4	2-3/4	2.5630	1.0000	5/8	UC 213-41	F 213	4.84
70	UCF 214	193	152	31	22	54.0	19	75.4	74.6	30.2	M16	UC 214	F 214	5.62
2-5/8	UCF 214-42											UC 214-42		5.65
2-11/16	UCF 214-43	7-19/32	5-63/64	1-7/32	55/64	2-1/8	3/4	2-31/32	2.9370	1.1890	5/8	UC 214-43	F 214	5.64
2-3/4	UCF 214-44											UC 214-44		5.63
75	UCF 215	200	159	34	22	56.0	19	78.5	77.8	33.3	M16	UC 215	F 215	5.55
2-13/16	UCF 215-45											UC 215-45		5.64
2-7/8	UCF 215-46											UC 215-46	F 215	5.60
2-15/16	UCF 215-47	7-7/8	6-17/64	1-11/32	55/64	2-13/64	3/4	3-3/32	3.0630	1.3110	5/8	UC 215-47		5.58
3	UCF 215-48											UC 215-48		5.47
80	UCF 216	208	165	34	24	58.0	23	83.3	82.6	33.3	M20	UC 216	F 216	6.99
3-1/16	UCF 216-49											UC 216-49		7.08
3-1/8	UCF 216-50	8-3/16	6-1/2	1-11/32	15/16	2-9/32	29/32	3-9/32	3.2520	1.3110	3/4	UC 216-50	F 216	7.04
3-3/16	UCF 216-51											UC 216-51		6.91
85	UCF 217	220	175	36	26	63.0	23	87.6	85.7	34.1	M20	UC 217	F 217	8.58
3-1/4	UCF 217-52											UC 217-52		8.80
3-5/16	UCF 217-53	8-21/32	6-57/64	1-27/64	1-1/64	2-31/64	29/32	3-29/64	3.3740	1.3425	3/4	UC 217-53	F 217	8.66
3-7/16	UCF 217-55											UC 217-55		8.41
90	UCF 218	235	187	40	26	68.0	23	96.3	96.0	39.7	M20	UC 218	F 218	11.20
3-1/2	UCF 218-56	9-1/4	7-23/64	1-37/64	1-1/64	2-43/64	29/32	3-51/64	3.7800	1.5630	3/4	UC 218-56	F 218	11.31



Technical Information

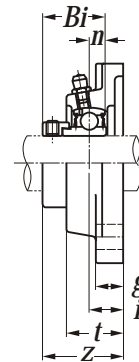
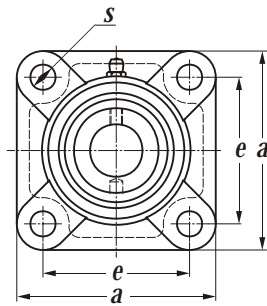


Shaft dia. mm inch	Unit number	Nominal dimensions									Bolt size mm inch	Bearing number	Housing number	Mass of unit Kg
		a	e	i	g	t	s	z	Bi	n				
20 3/4	SAFS 204	86	63.5	19	15	29.5	11.5	41.5	29.5	7.0	M10	SA 204	FS 204	0.64
	SAFS 204-12	3-25/64	2-1/2	3/4	19/32	1-5/32	29/64	1-41/64	1.1614	0.2756	3/8	SA 204-12	FS 204	0.65
25 13/16 7/8 15/16 1	SAFS 205	93	70	19	15	30.0	11.5	42.0	30.5	7.5	M10	SA 205	FS 205	0.75
	SAFS 205-13	3-21/32	2-3/4	3/4	19/32	1-3/16	29/64	1-21/32	1.2008	0.2953	3/8	SA 205-13	FS 205	0.78
	SAFS 205-14											SA 205-14		0.77
	SAFS 205-15											SA 205-15		0.76
SAFS 205-16	SA 205-16											0.73		
30 1-1/16 1-1/8 1-3/16 1-1/4	SAFS 206	106	82.5	20	16	32.5	13.0	45.9	33.9	8.0	M12	SA 206	FS 206	1.02
	SAFS 206-17	4-11/64	3-1/4	25/32	5/8	1-9/32	3/64	1-13/16	1.3346	0.3150	7/16	SA 206-17	FS 206	1.06
	SAFS 206-18											SA 206-18		1.04
	SAFS 206-19											SA 206-19		1.00
SAFS 206-20	SA 206-20											0.97		
35 1-1/4 1-5/16 1-3/8 1-7/16	SAFS 207	116	92	21	17	35.0	13.0	50.0	37.5	8.5	M12	SA 207	FS 207	1.37
	SAFS 207-20	4-9/16	3-5/8	53/64	43/64	1-3/8	3/64	1-31/32	1.4764	0.3543	7/16	SA 207-20	FS 207	1.43
	SAFS 207-21											SA 207-21		1.40
	SAFS 207-22											SA 207-22		1.38
SAFS 207-23	SA 207-23											1.35		
40 1-1/2	SAFS 208	129	101.5	24	17	39.0	14.0	55.0	40.5	9.5	M12	SA 208	FS 208	1.75
	SAFS 208-24	5-5/64	3-63/64	15/16	43/64	1-17/32	35/64	2-11/64	1.5945	0.3740	7/16	SA 208-24	FS 208	1.78
45 1-5/8 1-11/16 1-3/4	SAFS 209	135	105	24	18	40.0	16.0	56.2	42.2	10.0	M14	SA 209	FS 209	1.99
	SAFS 209-26	5-5/16	4-9/64	15/16	45/64	1-37/64	5/8	2-7/32	1.6614	0.3937	9/16	SA 209-26	FS 209	2.12
	SAFS 209-27											SA 209-27		2.06
SAFS 209-28	SA 209-28											2.03		
50 1-7/8 1-15/16 2	SAFS 210	143	111	28	20	45.0	16.0	61.2	43.7	10.5	M14	SA 210	FS 210	2.43
	SAFS 210-30	5-5/8	4-3/8	1-7/64	25/32	1-49/64	5/8	2-13/32	1.7205	0.4134	9/16	SA 210-30	FS 210	2.48
	SAFS 210-31											SA 210-31		2.46
	SAFS 210-32											SA 210-32		2.40
55 2 2-1/16 2-1/8 2-3/16	SAFS 211	162	130	31	21	49.0	17.0	67.9	48.4	11.5	M14	SA 211	FS 211	3.18
	SAFS 211-32	6-3/8	5-1/8	1-7/32	53/64	1-59/64	43/64	2-43/64	1.9055	0.4528	9/16	SA 211-32	FS 211	3.49
	SAFS 211-33											SA 211-33		3.44
	SAFS 211-34											SA 211-34		3.27
	SAFS 211-35											SA 211-35		3.12



Technical Information

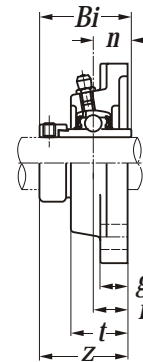
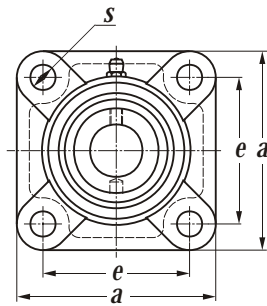
STANDARD DUTY FLANGED UNITS CAST HOUSING ECCENTRIC LOCKING COLLAR TYPE



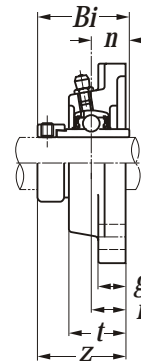
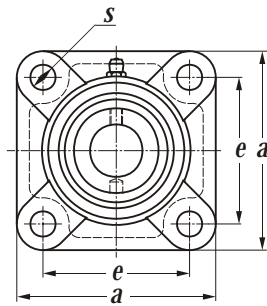
Shaft dia. mm inch	Unit number	Nominal dimensions									Bolt size mm inch	Bearing number	Housing number	Mass of unit Kg
		a	e	i	g	t	s	z	Bi	n				
20 3/4	SAF 204	86	64	15	12	25.5	12	37.5	29.5	7.0	M10	SA 204	F 204	0.54
	SAF 204-12	3-25/64	2-3/64	19/32	15/32	1	15/32	1-15/32	1.1614	0.2756	3/8	SA 204-12	F 204	0.55
25 13/16 7/8 15/16 1	SAF 205	95	70	16	13	27.0	12	39.0	30.5	7.5	M10	SA 205	F 205	0.73
	SAF 205-13	3-47/64	2-3/4	5/8	3/64	1-1/16	15/32	1-17/32	1.2008	0.2953	3/8	SA 205-13	F 205	0.76
	SAF 205-14											SA 205-14		0.75
	SAF 205-15											SA 205-15		0.74
SAF 205-16	SA 205-16											0.71		
30 1-1/16 1-1/8 1-3/16 1-1/4	SAF 206	108	83	18	13	31.0	12	43.9	33.9	8.0	M10	SA 206	F 206	1.06
	SAF 206-17	4-1/4	3-17/64	45/64	3/64	1-7/32	15/32	1-47/64	1.3346	0.3150	3/8	SA 206-17	F 206	1.10
	SAF 206-18											SA 206-18		1.08
	SAF 206-19											SA 206-19		1.04
SAF 206-20	SA 206-20											1.01		
35 1-1/4 1-5/16 1-3/8 1-7/16	SAF 207	117	92	19	15	34.0	14	48.0	37.5	8.5	M12	SA 207	F 207	1.37
	SAF 207-20	4-39/64	3-5/8	3/4	19/32	1-11/32	35/64	1-57/64	1.4764	0.3543	7/16	SA 207-20	F 207	1.43
	SAF 207-21											SA 207-21		1.40
	SAF 207-22											SA 207-22		1.38
SAF 207-23	SA 207-23											1.35		
40 1-1/2	SAF 208	130	102	21	15	36.0	16	52.0	40.5	9.5	M14	SA 208	FS 208	1.78
	SAF 208-24	5-1/8	4-1/64	53/64	19/32	1-27/64	5/8	2-1/16	1.5945	0.3740	1/2	SA 208-24	F 208	1.81
45 1-5/8 1-11/16 1-3/4	SAF 209	137	105	22	16	38.0	16	54.2	42.2	10.0	M14	SA 209	F 209	2.06
	SAF 209-26	5-25/64	4-9/64	55/64	5/8	1-1/2	5/8	2-9/64	1.6614	0.3937	1/2	SA 209-26	F 209	2.19
	SAF 209-27											SA 209-27		2.13
SAF 209-28	SA 209-28											2.10		
50 1-7/8 1-15/16 2	SAF 210	143	111	22	16	40.0	16	55.2	43.7	10.5	M14	SA 210	F 210	2.35
	SAF 210-30	5-5/8	4-3/8	55/64	5/8	1-37/64	5/8	2-11/64	1.7205	0.4134	1/2	SA 210-30	F 210	2.40
	SAF 210-31											SA 210-31		2.38
	SAF 210-32											SA 210-32		2.32
55 2 2-1/16 2-1/8 2-3/16	SAF 211	162	130	25	18	43.0	19	61.9	48.4	11.5	M16	SA 211	F 211	2.75
	SAF 211-32	6-3/8	5-1/8	63/64	45/64	1-11/16	3/4	2-7/16	1.9055	0.4528	5/8	SA 211-32	F 211	3.06
	SAF 211-33											SA 211-33		3.01
	SAF 211-34											SA 211-34		2.84
	SAF 211-35											SA 211-35		2.69



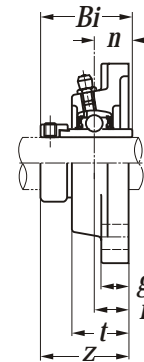
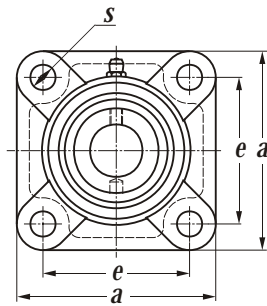
Technical Information



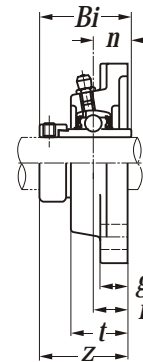
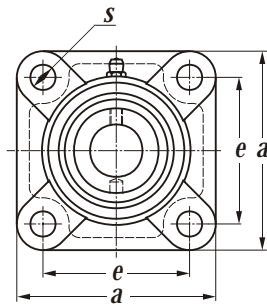
Shaft dia. mm inch	Unit number	Nominal dimensions									Bolt size mm inch	Bearing number	Housing number	Mass of unit Kg
		a	e	i	g	t	s	z	Bi	n				
20 3/4	UELFS 204	86	63.5	19	15	29.5	11.5	45.5	43.5	17.0	M10	UEL 204	FS 204	0.68
	UELFS 204-12	3-25/64	2-1/2	3/4	19/32	1-5/32	29/64	1-51/64	1.7126	0.6693	3/8	UEL 204-12	FS 204	0.69
25 13/16 7/8 15/16 1	UELFS 205	93	70	19	15	30.0	11.5	45.9	44.3	17.4	M10	UEL 205	FS 205	0.80
	UELFS 205-13	3-21/32	2-3/4	3/4	19/32	1-3/16	29/64	1-13/16	1.7441	0.6850	3/8	UEL 205-13	FS 205	0.86
	UELFS 205-14											UEL 205-14		0.84
	UELFS 205-15											UEL 205-15		0.82
UELFS 205-16	UEL 205-16											0.79		
30 1-1/16 1-1/8 1-3/16 1-1/4	UELFS 206	106	82.5	20	16	32.5	13.0	50.1	48.3	18.2	M12	UEL 206	FS 206	1.10
	UELFS 206-17	4-11/64	3-1/4	25/32	5/8	1-9/32	3/64	1-31/32	1.9016	0.7165	7/16	UEL 206-17	FS 206	1.15
	UELFS 206-18											UEL 206-18		1.12
	UELFS 206-19											UEL 206-19		1.09
UELFS 206-20	UEL 206-20											1.07		
35 1-1/4 1-5/16 1-3/8 1-7/16	UELFS 207	116	92	21	17	35.0	13.0	53.3	51.1	18.8	M12	UEL 207	FS 207	1.47
	UELFS 207-20	4-9/16	3-5/8	53/64	43/64	1-3/8	3/64	2-3/32	2.0118	0.7402	7/16	UEL 207-20	FS 207	1.55
	UELFS 207-21											UEL 207-21		1.52
	UELFS 207-22											UEL 207-22		1.48
UELFS 207-23	UEL 207-23											1.45		
40 1-1/2	UELFS 208	129	101.5	24	17	39.0	14.0	58.9	56.3	21.4	M12	UEL 208	FS 208	1.88
	UELFS 208-24	5-5/64	3-63/64	15/16	43/64	1-17/32	35/64	2-5/16	2.2165	0.8425	7/16	UEL 208-24	FS 208	1.93
45 1-5/8 1-11/16 1-3/4	UELFS 209	135	105	24	18	40.0	16.0	58.9	56.3	21.4	M14	UEL 209	FS 209	2.15
	UELFS 209-26	5-5/16	4-9/64	15/16	45/64	1-37/64	5/8	2-5/16	2.2165	0.8425	9/16	UEL 209-26	FS 209	2.26
	UELFS 209-27											UEL 209-27		2.21
UELFS 209-28	UEL 209-28											2.17		
50 1-7/8 1-15/16 2	UELFS 210	143	111	28	20	45.0	16.0	66.1	62.7	24.6	M14	UEL 210	FS 210	2.64
	UELFS 210-30	5-5/8	4-3/8	1-7/64	25/32	1-49/64	5/8	2-39/64	2.4685	0.9685	9/16	UEL 210-30	FS 210	2.73
	UELFS 210-31											UEL 210-31		2.67
UELFS 210-32	UEL 210-32											2.61		
55 2 2-1/16 2-1/8 2-3/16	UELFS 211	162	130	31	21	49.0	17.0	74.6	71.3	27.7	M14	UEL 211	FS 211	3.70
	UELFS 211-32	6-3/8	5-1/8	1-7/32	53/64	1-59/64	43/64	2-15/16	2.8071	1.0906	9/16	UEL 211-32	FS 211	3.89
	UELFS 211-33											UEL 211-33		3.83
	UELFS 211-34											UEL 211-34		3.75
	UELFS 211-35											UEL 211-35		3.67



Shaft dia. mm inch	Unit number	Nominal dimensions										Bolt size mm inch	Bearing number	Housing number	Mass of unit Kg
		a	e	i	g	t	s	z	Bi	n					
60	UELFS 212	175	143	34	22	53.5	17.0	80.8	77.7	30.9	M14	UEL 212	FS 212	4.58	
2-1/4	UELFS 212-36											UEL 212-36		4.74	
2-5/16	UELFS 212-37											UEL 212-37		4.65	
2-3/8	UELFS 212-38	6-57/64	5-5/8	1-11/32	55/64	2-7/64	43/64	3-3/16	3.0591	1.2165	9/16	UEL 212-38	FS 212	4.56	
2-7/16	UELFS 212-39											UEL 212-39		4.47	
65	UELFS 213	184	149	38	22	58.0	18.0	89.6	85.7	34.1	M16	UEL 213	FS 213	5.66	
2-1/2	UELFS 213-40											UEL 213-40		5.76	
2-9/16	UELFS 213-41	7-1/4	5-55/64	1-1/2	55/64	2-9/32	45/64	3-17/32	3.3740	1.3425	5/8	UEL 213-41	FS 213	5.65	
70	UELFS 214	188	152	38	23	60.0	18.0	89.6	85.7	34.1	M16	UEL 214	FS 214	5.82	
2-5/8	UELFS 214-42											UEL 214-42		6.06	
2-11/16	UELFS 214-43	7-13/32	5-63/64	1-1/2	29/32	2-23/64	45/64	3-17/32	3.3740	1.3425	5/8	UEL 214-43	FS 214	5.95	
2-3/4	UELFS 214-44											UEL 214-44		5.83	
75	UELFS 215	200	152.4	41	24	62.0	20.0	95.8	92.1	37.3	M16	UEL 215	FS 215	7.01	
2-13/16	UELFS 215-45											UEL 215-45		7.30	
2-7/8	UELFS 215-46											UEL 215-46		7.17	
2-15/16	UELFS 215-47	7-7/8	6	1-39/64	15/16	2-7/16	25/32	3-49/64	3.6260	1.4685	11/16	UEL 215-47	FS 215	7.04	
3	UELFS 215-48											UEL 215-48		6.91	


Technical Information
**STANDARD DUTY FLANGED UNITS CAST HOUSING
ECCENTRIC LOCKING COLLAR TYPE**


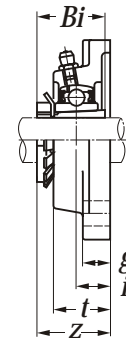
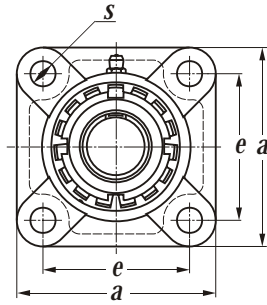
Shaft dia. mm inch	Unit number	Nominal dimensions									Bolt size mm inch	Bearing number	Housing number	Mass of unit Kg
		a	e	i	g	t	s	z	Bi	n				
12 1/2	UEL201	86	64	15	12	25.5	12	41.5	43.5	17.0	M10	UEL 201	F 204	0.63
	UEL201-8	3-25/64	2-3/64	19/32	15/32	1	15/32	1-41/64	1.7126	0.6693	3/8	UEL 201-8	F 204	0.63
15 9/16 5/8	UEL202	86	64	15	12	25.5	12	41.5	43.5	17.0	M10	UEL 202	F 204	0.61
	UEL202-9	3-25/64	2-3/64	19/32	15/32	1	15/32	1-41/64	1.7126	0.6693	3/8	UEL 202-9	F 204	0.61
	UEL202-10	3-25/64	2-3/64	19/32	15/32	1	15/32	1-41/64	1.7126	0.6693	3/8	UEL 202-10	F 204	0.61
17 11/16	UEL203	86	64	15	12	25.5	12	41.5	43.5	17.0	M10	UEL 203	F 204	0.60
	UEL203-11	3-25/64	2-3/64	19/32	15/32	1	15/32	1-41/64	1.7126	0.6693	3/8	UEL 203-11	F 204	0.60
20 3/4	UEL204	86	64	15	12	25.5	12	41.5	43.5	17.0	M10	UEL 204	F 204	0.58
	UEL204-12	3-25/64	2-3/64	19/32	15/32	1	15/32	1-41/64	1.7126	0.6693	3/8	UEL 204-12	F 204	0.59
25 13/16 7/8 15/16 1	UEL205	95	70	16	13	27.0	12	42.9	44.3	17.4	M10	UEL 205	F 205	0.78
	UEL205-13	3-47/64	2-3/4	5/8	3/64	1-1/16	15/32	1-11/16	1.7441	0.6850	3/8	UEL 205-13	F 205	0.84
	UEL205-14	3-47/64	2-3/4	5/8	3/64	1-1/16	15/32	1-11/16	1.7441	0.6850	3/8	UEL 205-14	F 205	0.82
	UEL205-15	3-47/64	2-3/4	5/8	3/64	1-1/16	15/32	1-11/16	1.7441	0.6850	3/8	UEL 205-15	F 205	0.80
30 1-1/16 1-1/8 1-3/16 1-1/4	UEL206	108	83	18	13	31.0	12	48.1	48.3	18.2	M10	UEL 206	F 206	1.14
	UEL206-17	4-1/4	3-17/64	45/64	3/64	1-7/32	15/32	1-57/64	1.9016	0.7165	3/8	UEL 206-17	F 206	1.19
	UEL206-18	4-1/4	3-17/64	45/64	3/64	1-7/32	15/32	1-57/64	1.9016	0.7165	3/8	UEL 206-18	F 206	1.16
	UEL206-19	4-1/4	3-17/64	45/64	3/64	1-7/32	15/32	1-57/64	1.9016	0.7165	3/8	UEL 206-19	F 206	1.13
35 1-1/4 1-5/16 1-3/8 1-7/16	UEL207	117	92	19	15	34.0	14	51.3	51.1	18.8	M12	UEL 207	F 207	1.47
	UEL207-20	4-39/64	3-5/8	3/4	19/32	1-11/32	35/64	2-1/64	2.0118	0.7402	7/16	UEL 207-20	F 207	1.55
	UEL207-21	4-39/64	3-5/8	3/4	19/32	1-11/32	35/64	2-1/64	2.0118	0.7402	7/16	UEL 207-21	F 207	1.52
	UEL207-22	4-39/64	3-5/8	3/4	19/32	1-11/32	35/64	2-1/64	2.0118	0.7402	7/16	UEL 207-22	F 207	1.48
40 1-1/2	UEL208	130	102	21	15	36.0	16	55.9	56.3	21.4	M14	UEL 208	F 208	1.91
	UEL208-24	5-1/8	4-1/64	53/64	19/32	1-27/64	5/8	2-13/64	2.2165	0.8425	1/2	UEL 208-24	F 208	1.96
45 1-5/8 1-11/16 1-3/4	UEL209	137	105	22	16	38.0	16	56.9	56.3	21.4	M14	UEL 209	F 209	2.22
	UEL209-26	5-25/64	4-9/64	55/64	5/8	1-1/2	5/8	2-15/64	2.2165	0.8425	1/2	UEL 209-26	F 209	2.33
	UEL209-27	5-25/64	4-9/64	55/64	5/8	1-1/2	5/8	2-15/64	2.2165	0.8425	1/2	UEL 209-27	F 209	2.28
50 1-7/8 1-15/16 2	UEL210	143	111	22	16	40.0	16	60.1	62.7	24.6	M14	UEL 210	F 210	2.56
	UEL210-30	5-5/8	4-3/8	55/64	5/8	1-37/64	5/8	2-23/64	2.4685	0.9685	1/2	UEL 210-30	F 210	2.65
	UEL210-31	5-5/8	4-3/8	55/64	5/8	1-37/64	5/8	2-23/64	2.4685	0.9685	1/2	UEL 210-31	F 210	2.59
	UEL210-32	5-5/8	4-3/8	55/64	5/8	1-37/64	5/8	2-23/64	2.4685	0.9685	1/2	UEL 210-32	F 210	2.53



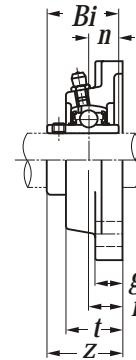
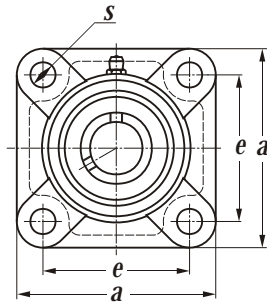
Shaft dia. mm inch	Unit number	Nominal dimensions									Bolt size mm inch	Bearing number	Housing number	Mass of unit Kg
		a	e	i	g	t	s	z	Bi	n				
55 2 2-1/16 2-1/8 2-3/16	UEL F 211	162	130	25	18	43.0	19	68.6	71.3	27.7	M16	UEL 211	F 211	3.27
	UEL F 211-32											UEL 211-32		3.46
	UEL F 211-33											UEL 211-33		3.40
	UEL F 211-34	6-3/8	5-1/8	63/64	45/64	1-11/16	3/4	2-45/64	2.8071	1.0906	5/8	UEL 211-34	F 211	3.32
	UEL F 211-35											UEL 211-35		3.24
60 2-1/4 2-5/16 2-3/8 2-7/16	UEL F 212	175	143	29	18	48.0	19	75.8	77.7	30.9	M16	UEL 212	F 212	3.91
	UEL F 212-36											UEL 212-36		4.07
	UEL F 212-37	6-57/64	5-5/8	1-9/64	45/64	1-57/64	3/4	2-63/64	3.0591	1.2165	5/8	UEL 212-37	F 212	3.98
	UEL F 212-38											UEL 212-38		3.89
65 2-1/2 2-9/16	UEL F 213	187	149	30	22	50.0	19	81.6	85.7	34.1	M16	UEL 213	F 213	5.47
	UEL F 213-40											UEL 213-40		5.57
	UEL F 213-41	7-23/64	5-55/64	1-3/16	55/64	1-31/32	3/4	3-7/32	3.3740	1.3425	5/8	UEL 213-41	F 213	5.46
70 2-5/8 2-11/16 2-3/4	UEL F 214	193	152	31	22	54.0	19	82.6	85.7	34.1	M16	UEL 214	F 214	6.14
	UEL F 214-42											UEL 214-42		6.38
	UEL F 214-43	7-19/32	5-63/64	1-7/32	55/64	2-1/8	3/4	3-1/4	3.3740	1.3425	5/8	UEL 214-43	F 214	6.27
75 2-13/16 2-7/8 2-15/16 3	UEL F 215	200	159	34	22	56.0	19	88.8	92.1	37.3	M16	UEL 215	F 215	6.18
	UEL F 215-45											UEL 215-45		6.47
	UEL F 215-46	7-7/8	6-17/64	1-11/32	55/64	2-13/64	3/4	3-1/2	3.6260	1.4685	5/8	UEL 215-46	F 215	6.34
	UEL F 215-47											UEL 215-47		6.21
	UEL F 215-48											UEL 215-48		6.08



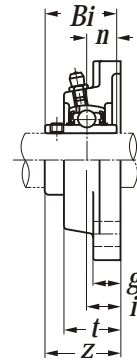
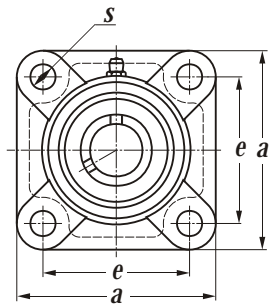
Technical Information



Shaft dia. mm	Unit number	Nominal dimensions mm								Bolt size mm	Bearing number	Housing number	Mass of unit Kg
		<i>a</i>	<i>e</i>	<i>i</i>	<i>g</i>	<i>t</i>	<i>s</i>	<i>z</i>	<i>Bi</i>				
20	UKF 205	95	70	16	13	27.0	12	35.5	35	M10	UK 205	F 205	0.68
25	UKF 206	108	83	18	13	31.0	12	39.0	38	M10	UK 206	F 206	0.98
30	UKF 207	117	92	19	15	34.0	14	42.5	43	M12	UK 207	F 207	1.24
35	UKF 208	130	102	21	15	36.0	16	46.5	46	M14	UK 208	F 208	1.61
40	UKF 209	137	105	22	16	38.0	16	48.5	50	M14	UK 209	F 209	1.90
45	UKF 210	143	111	22	16	40.0	16	50.0	55	M14	UK 210	F 210	2.14
50	UKF 211	162	130	25	18	43.0	19	54.5	59	M16	UK 211	F 211	2.65
55	UKF 212	175	143	29	18	48.0	19	61.0	62	M16	UK 212	F 212	3.07
60	UKF 213	187	149	30	22	50.0	19	64.0	65	M16	UK 213	F 213	4.42


Technical Information


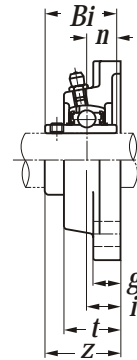
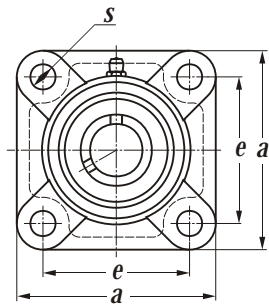
Shaft dia. mm inch	Unit number	Nominal dimensions									Bolt size mm inch	Bearing number	Housing number	Mass of unit Kg
		a	e	i	g	t	s	z	Bi	n				
25	UCF X05	108	82.5	18	13	30	12	40.2	38.1	15.9	M10	UC X05	F X05	1.15
13/16	UCF X05-13											UC X05-13		1.20
7/8	UCF X05-14											UC X05-14		1.18
15/16	UCF X05-15	4-1/4	3-1/4	45/64	3/64	1-3/16	15/32	1-37/64	1.5000	0.6260	3/8	UC X05-15	F X05	1.16
1	UCF X05-16											UC X05-16		1.14
30	UCF X06	117	92.0	19	14	34	16	44.4	42.9	17.5	M14	UC X06	F X06	1.50
1-1/16	UCF X06-17											UC X06-17		1.52
1-1/8	UCF X06-18											UC X06-18		1.51
1-3/16	UCF X06-19	4-39/64	3-5/8	3/4	35/64	1-11/32	5/8	1-3/4	1.6890	0.6890	1/2	UC X06-19	F X06	1.48
1-1/4	UCF X06-20											UC X06-20		1.47
35	UCF X07	130	101.5	21	14	38	16	51.2	49.2	19.0	M14	UC X07	F X07	1.97
1-1/4	UCF X07-20											UC X07-20		2.01
1-5/16	UCF X07-21											UC X07-21		2.00
1-3/8	UCF X07-22	5-1/8	3-63/64	53/64	35/64	1-1/2	5/8	2-1/64	1.9370	0.7480	1/2	UC X07-22	F X07	1.99
1-7/16	UCF X07-23											UC X07-23		1.95
40	UCF X08	137	105.0	22	14	40	19	52.2	49.2	19.0	M16	UC X08	F X08	2.18
1-1/2	UCF X08-24	5-25/64	4-9/64	55/64	35/64	1-37/64	3/4	2-1/16	1.9370	0.7480	5/8	UC X08-24	F X08	2.22
45	UCF X09	143	111.0	23	14	40	19	55.6	51.6	19.0	M16	UC X09	F X09	2.37
1-5/8	UCF X09-26											UC X09-26		2.52
1-11/16	UCF X09-27	5-5/8	4-3/8	29/32	35/64	1-37/64	3/4	2-3/16	2.0315	0.7480	5/8	UC X09-27	F X09	2.43
1-3/4	UCF X09-28											UC X09-28		2.39
50	UCF X10	162	130.0	26	20	44	19	59.4	55.6	22.2	M16	UC X10	F X10	3.47
1-7/8	UCF X10-30											UC X10-30		3.61
1-15/16	UCF X10-31	6-3/8	5-1/8	1-1/64	25/32	1-47/64	3/4	2-11/32	2.1890	0.8740	5/8	UC X10-31	F X10	3.50
2	UCF X10-32											UC X10-32		3.44
55	UCF X11	175	143.0	29	20	49	19	68.7	65.1	25.4	M16	UC X11	F X11	4.13
2	UCF X11-32											UC X11-32		4.34
2-1/16	UCF X11-33											UC X11-33		4.31
2-1/8	UCF X11-34	6-57/64	5-5/8	1-9/64	25/32	1-59/64	3/4	2-45/64	2.5630	1.0000	5/8	UC X11-34	F X11	4.28
2-3/16	UCF X11-35											UC X11-35		4.11



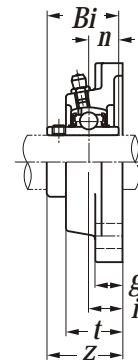
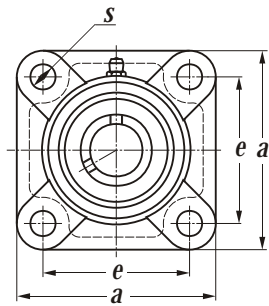
Shaft dia. mm inch	Unit number	Nominal dimensions									Bolt size mm inch	Bearing number	Housing number	Mass of unit Kg
		a	e	i	g	t	s	z	Bi	n				
60	UCF X12	187	149.0	34	21	59	19	73.7	65.1	25.4	M16	UC X12	F X12	5.70
2-1/4	UCF X12-36											UC X12-36		5.76
2-5/16	UCF X12-37											UC X12-37		5.73
2-3/8	UCF X12-38	7-23/64	5-55/64	1-11/32	53/64	2-21/64	3/4	2-29/32	2.5630	1.0000	5/8	UC X12-38	F X12	5.68
2-7/16	UCF X12-39											UC X12-39		5.60
65	UCF X13	187	149.0	34	21	59	19	78.4	74.6	30.2	M16	UC X13	F X13	5.77
2-1/2	UCF X13-40											UC X13-40		5.86
2-9/16	UCF X13-41	7-23/64	5-55/64	1-11/32	53/64	2-21/64	3/4	3-3/32	2.9370	1.1890	5/8	UC X13-41	F X13	5.72
70	UCF X14	197	152.0	37	24	60	23	81.5	77.8	33.3	M20	UC X14	F X14	6.79
2-5/8	UCF X14-42											UC X14-42		6.83
2-11/16	UCF X14-43	7-3/4	5-63/64	1-29/64	15/16	2-23/64	29/32	3-13/64	3.0630	1.3110	3/4	UC X14-43	F X14	6.81
2-3/4	UCF X14-44											UC X14-44		6.80
75	UCF X15	197	152.0	40	24	68	23	89.3	82.6	33.3	M20	UC X15	F X15	7.66
2-13/16	UCF X15-45											UC X15-45		7.75
2-7/8	UCF X15-46											UC X15-46		7.72
2-15/16	UCF X15-47	7-3/4	5-63/64	1-37/64	15/16	2-43/64	29/32	3-3/64	3.2520	1.3110	3/4	UC X15-47	F X15	7.69
3	UCF X15-48											UC X15-48		7.57
80	UCF X16	214	171.0	40	24	70	23	91.6	85.7	34.1	M20	UC X16	F X16	9.99
3-1/16	UCF X16-49											UC X16-49		10.05
3-1/8	UCF X16-50	8-27/64	6-47/64	1-37/64	15/16	2-3/4	29/32	3-39/64	3.3740	1.3425	3/4	UC X16-50	F X16	10.02



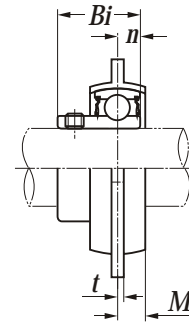
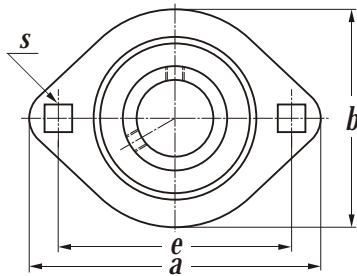
Technical Information



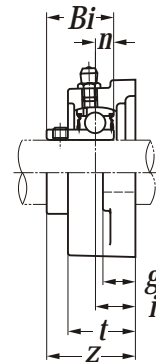
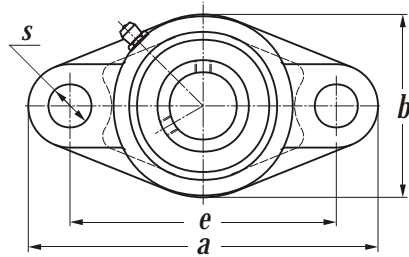
Shaft dia. mm inch	Unit number	Nominal dimensions									Bolt size mm inch	Bearing number	Housing number	Mass of unit Kg
		mm		inch										
		<i>a</i>	<i>e</i>	<i>i</i>	<i>g</i>	<i>t</i>	<i>s</i>	<i>z</i>	<i>Bi</i>	<i>n</i>				
25	UCF 305	108	80	16	13	29	16	39	38	15	M14	UC 305	F 305	1.01
13/16	UCF 305-13											UC 305-13		1.05
7/8	UCF 305-14											UC 305-14	F 305	1.04
15/16	UCF 305-15	4-1/4	3-5/32	5/8	3/64	1-9/64	5/8	1-17/32	1.4961	0.5906	1/2	UC 305-15		1.02
1	UCF 305-16											UC 305-16		1.00
30	UCF 306	125	95	18	15	32	16	44	43	17	M14	UC 306	F 306	1.53
1-1/16	UCF 306-17											UC 306-17		1.56
1-1/8	UCF 306-18											UC 306-18	F 306	1.55
1-3/16	UCF 306-19	4-59/64	3-47/64	45/64	19/32	1-17/64	5/8	1-47/64	1.6929	0.6693	1/2	UC 306-19		1.52
1-1/4	UCF 306-20											UC 306-20		1.51
35	UCF 307	135	100	20	16	36	19	49	48	19	M16	UC 307	F 307	1.86
1-1/4	UCF 307-20											UC 307-20		1.92
1-5/16	UCF 307-21											UC 307-21	F 307	1.89
1-3/8	UCF 307-22	5-5/16	3-15/16	25/32	5/8	1-27/64	3/4	1-59/64	1.8898	0.7480	5/8	UC 307-22		1.88
1-7/16	UCF 307-23											UC 307-23		1.85
40	UCF 308	150	112	23	17	40	19	56	52	19	M16	UC 308	F 308	2.65
1-1/2	UCF 308-24	5-29/32	4-13/32	29/32	43/64	1-37/64	3/4	2-13/64	2.0472	0.7480	5/8	UC 308-24	F 308	2.69
45	UCF 309	160	125	25	18	44	19	60	57	22	M16	UC 309	F 309	3.21
1-5/8	UCF 309-26											UC 309-26		3.29
1-11/16	UCF 309-27	6-19/64	4-59/64	63/64	45/64	1-47/64	3/4	2-23/64	2.2441	0.8661	5/8	UC 309-27	F 309	3.26
1-3/4	UCF 309-28											UC 309-28		3.23
50	UCF 310	175	132	28	20	48	23	67	61	22	M20	UC 310	F 310	4.32
1-7/8	UCF 310-30											UC 310-30		4.41
1-15/16	UCF 310-31	6-57/64	5-13/64	1-7/64	25/32	1-57/64	29/32	2-41/64	2.4016	0.8661	3/4	UC 310-31	F 310	4.35
2	UCF 310-32											UC 310-32		4.31
55	UCF 311	185	140	30	20	52	23	71	66	25	M20	UC 311	F 311	5.24
2	UCF 311-32											UC 311-32		5.42
2-1/16	UCF 311-33											UC 311-33	F 311	5.28
2-1/8	UCF 311-34	7-9/32	5-3/64	1-3/16	25/32	2-1/16	29/32	2-51/64	2.5984	0.9843	3/4	UC 311-34		5.26
2-3/16	UCF 311-35											UC 311-35		5.21



Shaft dia. mm inch	Unit number	Nominal dimensions									Bolt size mm inch	Bearing number	Housing number	Mass of unit Kg
		<i>a</i>	<i>e</i>	<i>i</i>	<i>g</i>	<i>t</i>	<i>s</i>	<i>z</i>	<i>Bi</i>	<i>n</i>				
60	UCF 312	193	150	33	22	56	23	78	71	26	M20	UC 312	F 312	6.40
2-1/4	UCF 312-36											UC 312-36		6.45
2-5/16	UCF 312-37											UC 312-37		6.43
2-3/8	UCF 312-38	7-19/32	5-29/32	1-19/64	55/64	2-13/64	29/32	3-5/64	2.7953	1.0236	3/4	UC 312-38	F 312	6.37
2-7/16	UCF 312-39											UC 312-39		6.30
65	UCF 313	208	166	33	22	58	23	78	75	30	M20	UC 313	F 313	7.54
2-1/2	UCF 313-40											UC 313-40		7.59
2-9/16	UCF 313-41	8-3/16	6-17/32	1-19/64	55/64	2-9/32	29/32	3-5/64	2.9528	1.1811	3/4	UC 313-41	F 313	7.49
70	UCF 314	226	178	36	25	61	25	81	78	33	M22	UC 314	F 314	9.02
2-5/8	UCF 314-42											UC 314-42		9.05
2-11/16	UCF 314-43	8-57/64	7-1/64	1-27/64	63/64	2-13/32	63/64	3-3/16	3.0709	1.2992	7/8	UC 314-43	F 314	9.04
2-3/4	UCF 314-44											UC 314-44		9.03
75	UCF 315	236	184	39	25	66	25	89	82	32	M22	UC 315	F 315	10.45
2-13/16	UCF 315-45											UC 315-45		10.54
2-7/8	UCF 315-46											UC 315-46		10.51
2-15/16	UCF 315-47	9-19/64	7-1/4	1-17/32	63/64	2-19/32	63/64	3-1/2	3.2283	1.2598	7/8	UC 315-47	F 315	10.48
3	UCF 315-48											UC 315-48		10.36
80	UCF 316	250	196	38	27	68	31	90	86	34	M27	UC 316	F 316	14.00
3-1/16	UCF 316-49											UC 316-49		14.06
3-1/8	UCF 316-50	9-27/32	7-23/32	1-1/2	1-1/16	2-43/64	1-7/32	3-35/64	3.3858	1.3386	1	UC 316-50	F 316	14.03


Technical Information


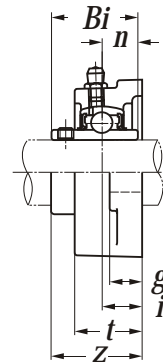
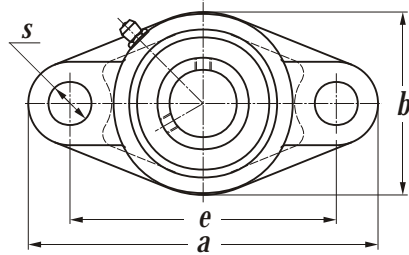
Shaft dia. mm inch	Unit number	Nominal dimensions mm inch								Bolt size mm inch	Bearing number	Housing number	Mass of unit Kg
		<i>a</i>	<i>e</i>	<i>M</i>	<i>t</i>	<i>s</i>	<i>b</i>	<i>Bi</i>	<i>n</i>				
12 1/2	SBPFL 201	81	63.5	7.0	2.0	7.1	59	22	6.0	M6	SB 201	PFL 203	0.18
	SBPFL 201-8	3-3/16	2-1/2	9/32	5/64	9/32	2-21/64	0.8661	0.2362	1/4	SB 201-8	PFL 203	0.18
15 9/16 5/8	SBPFL 202	81	63.5	7.0	2.0	7.1	59	22	6.0	M6	SB 202	PFL 203	0.17
	SBPFL 202-9	3-3/16	2-1/2	9/32	5/64	9/32	2-21/64	0.8661	0.2362	1/4	SB 202-9	PFL 203	0.17
	SBPFL 202-10	3-3/16	2-1/2	9/32	5/64	9/32	2-21/64	0.8661	0.2362	1/4	SB 202-10	PFL 203	0.17
17 11/16	SBPFL 203	81	63.5	7.0	2.0	7.1	59	22	6.0	M6	SB 203	PFL 203	0.16
	SBPFL 203-11	3-3/16	2-1/2	9/32	5/64	9/32	2-21/64	0.8661	0.2362	1/4	SB 203-11	PFL 203	0.16
20 3/4	SBPFL 204	90	71.5	8.0	2.0	9.0	67	25	7.0	M8	SB 204	PFL 204	0.22
	SBPFL 204-12	3-35/64	2-13/16	5/16	5/64	23/64	2-41/64	0.9843	0.2756	5/16	SB 204-12	PFL 204	0.24
25 13/16 7/8 15/16 1	SBPFL 205	95	76.0	9.0	2.0	9.0	71	27	7.5	M8	SB 205	PFL 205	0.27
	SBPFL 205-13	3-47/64	2-63/64	23/64	5/64	23/64	2-51/64	1.0630	0.2953	5/16	SB 205-13	PFL 205	0.30
	SBPFL 205-14	3-47/64	2-63/64	23/64	5/64	23/64	2-51/64	1.0630	0.2953	5/16	SB 205-14	PFL 205	0.29
	SBPFL 205-15	3-47/64	2-63/64	23/64	5/64	23/64	2-51/64	1.0630	0.2953	5/16	SB 205-15	PFL 205	0.28
	SBPFL 205-16	3-47/64	2-63/64	23/64	5/64	23/64	2-51/64	1.0630	0.2953	5/16	SB 205-16	PFL 205	0.26
30 1-1/16 1-1/8 1-3/16 1-1/4	SBPFL 206	113	90.5	9.5	2.6	11.0	84	29	8.0	M10	SB 206	PFL 206	0.44
	SBPFL 206-17	4-29/64	3-9/16	3/8	7/64	7/16	3-5/16	1.1417	0.3150	3/8	SB 206-17	PFL 206	0.46
	SBPFL 206-18	4-29/64	3-9/16	3/8	7/64	7/16	3-5/16	1.1417	0.3150	3/8	SB 206-18	PFL 206	0.45
	SBPFL 206-19	4-29/64	3-9/16	3/8	7/64	7/16	3-5/16	1.1417	0.3150	3/8	SB 206-19	PFL 206	0.43
35 1-1/4 1-5/16 1-3/8 1-7/16	SBPFL 207	122	100.0	11.0	2.6	11.0	94	32	8.5	M10	SB 207	PFL 207	0.58
	SBPFL 207-20	4-51/64	3-15/16	7/16	7/64	7/16	3-45/64	1.2598	0.3543	3/8	SB 207-20	PFL 207	0.63
	SBPFL 207-21	4-51/64	3-15/16	7/16	7/64	7/16	3-45/64	1.2598	0.3543	3/8	SB 207-21	PFL 207	0.62
	SBPFL 207-22	4-51/64	3-15/16	7/16	7/64	7/16	3-45/64	1.2598	0.3543	3/8	SB 207-22	PFL 207	0.61
	SBPFL 207-23	4-51/64	3-15/16	7/16	7/64	7/16	3-45/64	1.2598	0.3543	3/8	SB 207-23	PFL 207	0.57



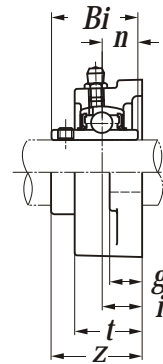
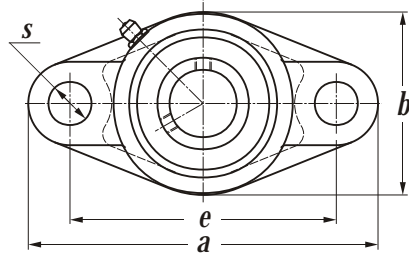
Shaft dia. mm inch	Unit number	Nominal dimensions										Bolt size mm inch	Bearing number	Housing number	Mass of unit Kg
		mm		inch		mm		inch		mm					
		<i>a</i>	<i>e</i>	<i>i</i>	<i>g</i>	<i>t</i>	<i>s</i>	<i>b</i>	<i>z</i>	<i>Bi</i>	<i>n</i>				
20 3/4	SBFT 204	112.5	90.0	19	15	29.5	10.0	61	37.0	25	7.0	M8	SB 204	FT 204	0.47
	SBFT 204-12	4-27/64	3-35/64	3/4	19/32	1-5/32	25/64	2-13/33	1-29/64	0.9843	0.2756	5/16	SB 204-12	FT 204	0.49
25 13/16 7/8 15/16 1	SBFT 205	123.0	99.0	19	15	30.0	11.5	70	38.5	27	7.5	M10	SB 205	FT 205	0.56
	SBFT 205-13												SB 205-13		0.59
	SBFT 205-14	4-27/32	3-57/64	3/4	19/32	1-3/16	29/64	2-3/5	1-3/64	1.0630	0.2953	3/8	SB 205-14	FT 205	0.58
	SBFT 205-15												SB 205-15		0.57
	SBFT 205-16												SB 205-16		0.55
30 1-1/16 1-1/8 1-3/16 1-1/4	SBFT 206	142.0	116.5	20	16	32.5	11.5	82	41.0	29	8.0	M10	SB 206	FT 206	0.79
	SBFT 206-17												SB 206-17		0.81
	SBFT 206-18	5-19/32	4-19/32	25/32	5/8	1-9/32	29/64	3-15/65	1-39/64	1.1417	0.3150	3/8	SB 206-18	FT 206	0.80
	SBFT 206-19												SB 206-19		0.78
	SBFT 206-20												SB 206-20		0.77
35 1-1/4 1-5/16 1-3/8 1-7/16	SBFT 207	158.0	130.0	21	17	36.0	13.0	94	44.5	32	8.5	M10	SB 207	FT 207	1.18
	SBFT 207-20												SB 207-20		1.23
	SBFT 207-21	6-7/32	5-1/8	53/64	43/64	1-27/64	3/64	3-45/65	1-3/4	1.2598	0.3543	7/16	SB 207-21	FT 207	1.22
	SBFT 207-22												SB 207-22		1.21
	SBFT 207-23												SB 207-23		1.17
40 1-1/2	SBFT 208	172.0	143.5	24	17	39.0	13.0	103	48.5	34	9.5	M10	SB 208	FT 208	1.35
	SBFT 208-24	6-49/64	5-21/32	15/16	43/64	1-17/32	3/64	4-1/17	1-29/32	1.3386	0.3740	7/16	SB 208-24	FT 208	1.39



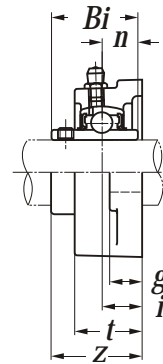
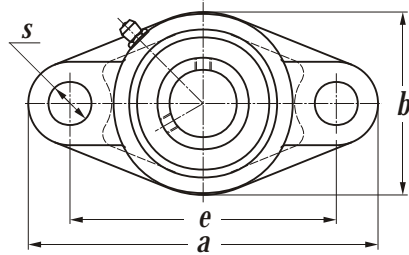
Technical Information



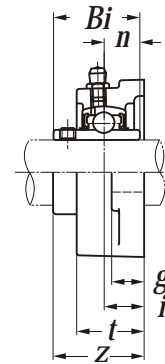
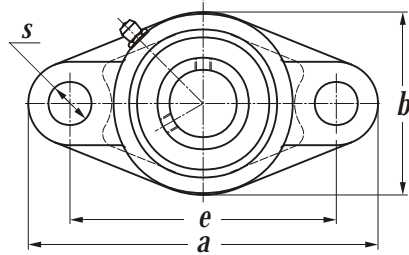
Shaft dia. mm inch	Unit number	Nominal dimensions										Bolt size mm inch	Bearing number	Housing number	Mass of unit Kg
		a	e	i	g	t	s	b	z	Bi	n				
20 3/4	UCFT 204	112.5	90.0	19	15	29.5	10.0	61	37.3	31.0	12.7	M8	UC 204	FT 204	0.51
	UCFT 204-12	4-27/64	3-35/64	3/4	19/32	1-5/32	25/64	2-13/33	1-15/32	1.2205	0.5000	5/16	UC 204-12	FT 204	0.52
25 13/16 7/8 15/16 1	UCFT 205	123.0	99.0	19	15	30.0	11.5	70	38.7	34.0	14.3	M10	UC 205	FT 205	0.60
	UCFT 205-13	4-27/32	3-57/64	3/4	19/32	1-3/16	29/64	2-3/5	1-17/32	1.3386	0.5630	3/8	UC 205-13	FT 205	0.64
	UCFT 205-14												UC 205-14		0.62
	UCFT 205-15												UC 205-15		0.61
UCFT 205-16	UC 205-16												0.59		
30 1-1/16 1-1/8 1-3/16 1-1/4	UCFT 206	142.0	116.5	20	16	32.5	11.5	82	42.2	38.1	15.9	M10	UC 206	FT 206	0.85
	UCFT 206-17	5-19/32	4-19/32	25/32	5/8	1-9/32	29/64	3-15/65	1-21/32	1.5000	0.6260	3/8	UC 206-17	FT 206	0.89
	UCFT 206-18												UC 206-18		0.87
	UCFT 206-19												UC 206-19		0.84
UCFT 206-20	UC 206-20												0.83		
35 1-1/4 1-5/16 1-3/8 1-7/16	UCFT 207	158.0	130.0	21	17	36.0	13.0	94	46.4	42.9	17.5	M10	UC 207	FT 207	1.27
	UCFT 207-20	6-7/32	5-1/8	53/64	43/64	1-27/64	3/64	3-45/65	1-53/64	1.6890	0.6890	7/16	UC 207-20	FT 207	1.33
	UCFT 207-21												UC 207-21		1.31
	UCFT 207-22												UC 207-22		1.28
UCFT 207-23	UC 207-23												1.25		
40 1-1/2	UCFT 208	172.0	143.5	24	17	39.0	13.0	103	54.2	49.2	19.0	M10	UC 208	FT 208	1.49
	UCFT 208-24	6-49/64	5-21/32	15/16	43/64	1-17/32	3/64	4-1/17	2-9/64	1.9370	0.7480	7/16	UC 208-24	FT 208	1.53
45 1-5/8 1-11/16 1-3/4	UCFT 209	180.0	148.5	24	18	40.0	15.0	108	54.2	49.2	19.0	M12	UC 209	FT 209	1.71
	UCFT 209-26	7-3/32	5-27/32	15/16	45/64	1-37/64	19/32	4-1/5	2-9/64	1.9370	0.7480	1/2	UC 209-26	FT 209	1.81
	UCFT 209-27												UC 209-27		1.77
UCFT 209-28	UC 209-28												1.73		
50 1-7/8 1-15/16 2	UCFT 210	190.0	157.0	28	20	45.0	15.0	114	60.6	51.6	19.0	M12	UC 210	FT 210	1.97
	UCFT 210-30	7-31/64	6-3/16	1-7/64	25/32	1-49/64	19/32	4-31/65	2-25/64	2.0315	0.7480	1/2	UC 210-30	FT 210	2.04
	UCFT 210-31												UC 210-31		1.99
UCFT 210-32	UC 210-32												1.95		
55 2 2-1/16 2-1/8 2-3/16	UCFT 211	217.0	184.0	31	21	48.0	16.5	128	64.4	55.6	22.2	M14	UC 211	FT 211	2.79
	UCFT 211-32	8-35/64	7-1/4	1-7/32	53/64	1-57/64	21/32	5-1/17	2-17/32	2.1890	0.8740	9/16	UC 211-32	FT 211	2.94
	UCFT 211-33												UC 211-33		2.89
	UCFT 211-34												UC 211-34		2.84
	UCFT 211-35												UC 211-35		2.77



Shaft dia. mm inch	Unit number	Nominal dimensions										Bolt size mm inch	Bearing number	Housing number	Mass of unit Kg
		mm		inch		<i>a</i>	<i>e</i>	<i>i</i>	<i>g</i>	<i>t</i>	<i>s</i>				
60	UCFT 212	237.0	202.0	34	21	53.0	16.5	138	73.7	65.1	25.4	M14	UC 212	FT 212	3.62
2-1/4	UCFT 212-36												UC 212-36		3.76
2-5/16	UCFT 212-37	9-21/64	7-61/64	1-11/32	53/64	2-3/32	21/32	5-7/17	2-29/32	2.5630	1.0000	9/16	UC 212-37	FT 212	3.69
2-3/8	UCFT 212-38												UC 212-38		3.60
2-7/16	UCFT 212-39												UC 212-39		3.54
65	UCFT 213	256.0	210.0	38	22	56.0	21.0	152	77.7	65.1	25.4	M20	UC 213	FT 213	4.51
2-1/2	UCFT 213-40	10-5/64	8-17/64	1-1/2	55/64	2-13/64	53/64	5-63/65	3-1/16	2.5630	1.0000	3/4	UC 213-40	FT 213	4.59
2-9/16	UCFT 213-41												UC 213-41		4.43
70	UCFT 214	264.0	216.0	38	23	58.0	21.0	157	82.4	74.6	30.2	M20	UC 214	FT 214	4.81
2-5/8	UCFT 214-42												UC 214-42		4.84
2-11/16	UCFT 214-43	10-25/64	8-1/2	1-1/2	29/32	2-9/32	53/64	6-3/17	3-1/4	2.9370	1.1890	3/4	UC 214-43	FT 214	4.83
2-3/4	UCFT 214-44												UC 214-44		4.82



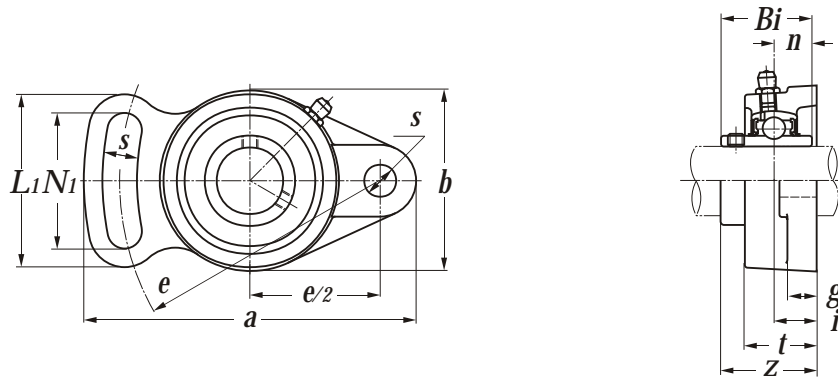
Shaft dia. mm inch	Unit number	Nominal dimensions										Bolt size mm inch	Bearing number	Housing number	Mass of unit Kg
		a	e	i	g	t	s	b	z	Bi	n				
12 1/2	UCFL 201	113	90	15	11	25.5	12	60	33.3	31.0	12.7	M10	UC 201	FL 204	0.47
	UCFL 201-8	4-29/64	3-35/64	19/32	7/16	1	15/32	2-23/64	1-5/16	1.2205	0.5000	3/8	UC 201-8	FL 204	0.47
15 9/16 5/8	UCFL 202	113	90	15	11	25.5	12	60	33.3	31.0	12.7	M10	UC 202	FL 204	0.46
	UCFL 202-9	4-29/64	3-35/64	19/32	7/16	1	15/32	2-23/64	1-5/16	1.2205	0.5000	3/8	UC 202-9	FL 204	0.46
	UCFL 202-10	4-29/64	3-35/64	19/32	7/16	1	15/32	2-23/64	1-5/16	1.2205	0.5000	3/8	UC 202-10	FL 204	0.46
17 11/16	UCFL 203	113	90	15	11	25.5	12	60	33.3	31.0	12.7	M10	UC 203	FL 204	0.45
	UCFL 203-11	4-29/64	3-35/64	19/32	7/16	1	15/32	2-23/64	1-5/16	1.2205	0.5000	3/8	UC 203-11	FL 204	0.45
20 3/4	UCFL 204	113	90	15	11	25.5	12	60	33.3	31.0	12.7	M10	UC 204	FL 204	0.43
	UCFL 204-12	4-29/64	3-35/64	19/32	7/16	1	15/32	2-23/64	1-5/16	1.2205	0.5000	3/8	UC 204-12	FL 204	0.44
25 13/16 7/8 15/16 1	UCFL 205	130	99	16	13	27.0	16	68	35.7	34.0	14.3	M14	UC 205	FL 205	0.60
	UCFL 205-13												UC 205-13		0.64
	UCFL 205-14												UC 205-14		0.62
	UCFL 205-15	5-1/8	3-57/64	5/8	3/4	1-1/16	5/8	2-43/64	1-13/32	1.3386	0.5630	1/2	UC 205-15	FL 205	0.61
30 1-1/16 1-1/8 1-3/16 1-1/4	UCFL 206	148	117	18	13	31.0	16	80	40.2	38.1	15.9	M14	UC 206	FL 206	0.91
	UCFL 206-17												UC 206-17		0.95
	UCFL 206-18												UC 206-18		0.93
	UCFL 206-19	5-53/64	4-39/64	45/64	3/4	1-7/32	5/8	3-5/32	1-37/64	1.5000	0.6260	1/2	UC 206-19	FL 206	0.90
35 1-1/4 1-5/16 1-3/8 1-7/16	UCFL 207	161	130	19	14	34.0	16	90	44.4	42.9	17.5	M14	UC 207	FL 207	1.14
	UCFL 207-20												UC 207-20		1.20
	UCFL 207-21												UC 207-21		1.18
	UCFL 207-22	6-11/32	5-1/8	3/4	35/64	1-11/32	5/8	3-35/64	1-3/4	1.6890	0.6890	1/2	UC 207-22	FL 207	1.15
40 1-1/2	UCFL 208	175	144	21	14	36.0	16	100	51.2	49.2	19.0	M14	UC 208	FL 208	1.43
	UCFL 208-24	6-57/64	5-43/64	53/64	35/64	1-27/64	5/8	3-15/16	2-1/64	1.9370	0.7480	1/2	UC 208-24	FL 208	1.47
	UCFL 209	188	148	22	16	38.0	19	108	52.2	49.2	19.0	M16	UC 209	FL 209	1.80
	UCFL 209-26												UC 209-26		1.90
45 1-5/8 1-11/16 1-3/4	UCFL 209-27	7-13/32	5-53/64	55/64	5/8	1-1/2	3/4	4-1/4	2-1/16	1.9370	0.7480	5/8	UC 209-27	FL 209	1.86
	UCFL 209-28												UC 209-28		1.82
	UCFL 210	197	157	22	16	40.0	19	115	54.6	51.6	19.0	M16	UC 210	FL 210	2.13
50 1-7/8 1-15/16 2	UCFL 210-30												UC 210-30		2.20
	UCFL 210-31	7-3/4	6-3/16	55/64	5/8	1-37/64	3/4	4-17/32	2-5/32	2.0315	0.7480	5/8	UC 210-31	FL 210	2.15
	UCFL 210-32												UC 210-32		2.11



Shaft dia. mm inch	Unit number	Nominal dimensions										Bolt size mm inch	Bearing number	Housing number	Mass of unit Kg
		mm		inch		<i>a</i>	<i>e</i>	<i>i</i>	<i>g</i>	<i>t</i>	<i>s</i>				
55	UCFL 211	224	184	25	18	43.0	19	130	58.4	55.6	22.2	M16	UC 211	FL 211	2.86
2	UCFL 211-32												UC 211-32		3.01
2-1/16	UCFL 211-33												UC 211-33	FL 211	2.96
2-1/8	UCFL 211-34	8-13/16	7-1/4	63/64	45/64	1-11/16	3/4	5-1/8	2-19/64	2.1890	0.8740	5/8	UC 211-34		2.91
2-3/16	UCFL 211-35												UC 211-35		2.84
60	UCFL 212	250	202	29	18	48.0	23	140	68.7	65.1	25.4	M20	UC 212	FL 212	3.76
2-1/4	UCFL 212-36												UC 212-36		3.90
2-5/16	UCFL 212-37												UC 212-37	FL 212	3.83
2-3/8	UCFL 212-38	9-27/32	7-61/64	1-9/64	45/64	1-57/64	29/32	5-3/64	2-45/64	2.5630	1.0000	3/4	UC 212-38		3.74
2-7/16	UCFL 212-39												UC 212-39		3.68
65	UCFL 213	258	210	30	20	50.0	23	155	69.7	65.1	25.4	M20	UC 213	FL 213	4.63
2-1/2	UCFL 213-40												UC 213-40		4.71
2-9/16	UCFL 213-41	10-5/32	8-17/64	1-3/16	25/32	1-31/32	29/32	6-7/64	2-3/4	2.5630	1.0000	3/4	UC 213-41	FL 213	4.55
70	UCFL 214	265	216	31	20	54.0	23	160	75.4	74.6	30.2	M20	UC 214	FL 214	5.22
2-5/8	UCFL 214-42												UC 214-42		5.25
2-11/16	UCFL 214-43	10-7/16	8-1/2	1-7/32	25/32	2-1/8	29/32	6-19/64	2-31/32	2.9370	1.1890	3/4	UC 214-43	FL 214	5.24
2-3/4	UCFL 214-44												UC 214-44		5.23
75	UCFL 215	275	225	34	20	56.0	23	165	78.5	77.8	33.3	M20	UC 215	FL 215	5.36
2-13/16	UCFL 215-45												UC 215-45		5.45
2-7/8	UCFL 215-46												UC 215-46	FL 215	5.41
2-15/16	UCFL 215-47	10-53/64	8-55/64	1-11/32	25/32	2-13/64	29/32	6-1/2	3-3/32	3.0630	1.3110	3/4	UC 215-47		5.39
3	UCFL 215-48												UC 215-48		5.28
80	UCFL 216	290	233	34	22	58.0	25	180	83.3	82.6	33.3	M22	UC 216	FL 216	6.99
3-1/16	UCFL 216-49												UC 216-49		7.08
3-1/8	UCFL 216-50	11-27/64	9-11/64	1-11/32	55/64	2-9/32	63/64	7-3/32	3-9/32	3.2520	1.3110	7/8	UC 216-50	FL 216	7.04
3-3/16	UCFL 216-51												UC 216-51		6.91
85	UCFL 217	305	248	36	22	63.0	25	190	87.6	85.7	34.1	M22	UC 217	FL 217	8.28
3-1/4	UCFL 217-52												UC 217-52		8.50
3-5/16	UCFL 217-53	12-1/64	9-49/64	1-27/64	55/64	2-31/64	63/64	7-31/64	3-29/64	3.3740	1.3425	7/8	UC 217-53	FL 217	8.36
3-7/16	UCFL 217-55												UC 217-55		8.11
90	UCFL 218	320	265	40	23	68.0	25	205	96.3	96.0	39.7	M22	UC 218	FL 218	10.70
3-1/2	UCFL 218-56	12-19/32	10-7/16	1-37/64	29/32	2-43/64	63/64	8-5/64	3-51/64	3.7800	1.5630	7/8	UC 218-56	FL 218	10.81



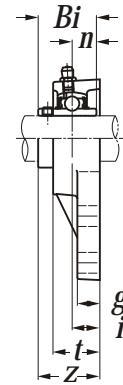
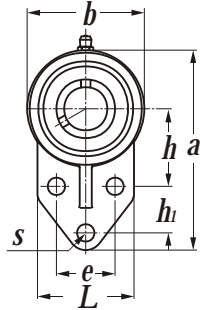
Technical Information



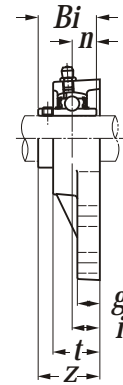
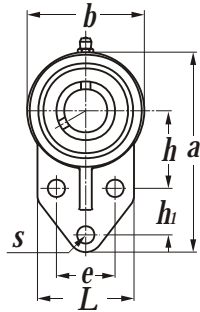
Shaft dia. mm inch	Unit number	Nominal dimensions mm inch												Bolt size mm inch	Bearing number	Housing number	Mass of unit Kg
		a	e	i	g	t	s	N ₁	b	L ₁	z	Bi	n				
12 1/2	UCFA 201	102	78	15	12	25.5	10	40	60	54	33.3	31.0	12.7	M8	UC 201	FA 204	0.49
	UCFA 201-8	4-1/64	3-5/64	19/32	15/32	1	25/64	1-37/64	2-23/64	2-1/8	1-5/16	1.2205	0.5000	5/16	UC 201-8	FA 204	0.49
15 9/16 5/8	UCFA 202	102	78	15	12	25.5	10	40	60	54	33.3	31.0	12.7	M8	UC 202	FA 204	0.48
	UCFA 202-9	4-1/64	3-5/64	19/32	15/32	1	25/64	1-37/64	2-23/64	2-1/8	1-5/16	1.2205	0.5000	5/16	UC 202-9	FA 204	0.48
	UCFA 202-10	4-1/64	3-5/64	19/32	15/32	1	25/64	1-37/64	2-23/64	2-1/8	1-5/16	1.2205	0.5000	5/16	UC 202-10	FA 204	0.48
17 11/16	UCFA 203	102	78	15	12	25.5	10	40	60	54	33.3	31.0	12.7	M8	UC 203	FA 204	0.47
	UCFA 203-11	4-1/64	3-5/64	19/32	15/32	1	25/64	1-37/64	2-23/64	2-1/8	1-5/16	1.2205	0.5000	5/16	UC 203-11	FA 204	0.47
20 3/4	UCFA 204	102	78	15	12	25.5	10	40	60	54	33.3	31.0	12.7	M8	UC 204	FA 204	0.45
	UCFA 204-12	4-1/64	3-5/64	19/32	15/32	1	25/64	1-37/64	2-23/64	2-1/8	1-5/16	1.2205	0.5000	5/16	UC 204-12	FA 204	0.46
25 13/16 7/8 15/16 1	UCFA 205	125	98	16	14	27.0	12	51	68	65	34.7	34.0	14.3	M10	UC 205	FA 205	0.64
	UCFA 205-13														UC 205-13		0.68
	UCFA 205-14	4-59/64	3-55/64	5/8	35/64	1-1/16	15/32	2-1/64	2-43/64	2-9/16	1-23/64	1.3386	0.5630	3/8	UC 205-14	FA 205	0.66
	UCFA 205-15														UC 205-15		0.65
UCFA 205-16														UC 205-16		0.63	
30 1-1/16 1-1/8 1-3/16 1-1/4	UCFA 206	144	117	18	14	31.0	12	58	80	72	40.2	38.1	15.9	M10	UC 206	FA 206	0.92
	UCFA 206-17														UC 206-17		0.96
	UCFA 206-18	5-43/64	4-39/64	45/64	35/64	1-7/32	15/32	2-9/32	3-5/32	2-53/64	1-37/64	1.5000	0.6260	3/8	UC 206-18	FA 206	0.94
	UCFA 206-19														UC 206-19		0.91
UCFA 206-20														UC 206-20		0.90	
35 1-1/4 1-5/16 1-3/8 1-7/16	UCFA 207	161	130	19	16	34.0	14	66	90	82	45.4	42.9	17.5	M12	UC 207	FA 207	1.27
	UCFA 207-20														UC 207-20		1.33
	UCFA 207-21	6-11/32	5-1/8	3/4	5/8	1-11/32	35/64	2-19/32	3-35/64	3-15/64	1-25/32	1.6890	0.6890	7/16	UC 207-21	FA 207	1.31
	UCFA 207-22														UC 207-22		1.28
UCFA 207-23														UC 207-23		1.25	
40 1-1/2	UCFA 208	175	144	21	16	36.0	14	71	100	87	52.2	49.2	19.0	M12	UC 208	FA 208	1.62
	UCFA 208-24	6-57/64	5-43/64	53/64	5/8	1-27/64	35/64	2-51/64	3-15/16	3-27/64	2-1/16	1.9370	0.7480	7/16	UC 208-24	FA 208	1.66
45 1-5/8 1-11/16 1-3/4	UCFA 209	178	146	22	16	38.0	16	72	108	88	52.2	49.2	19.0	M14	UC 209	FA 209	1.84
	UCFA 209-26														UC 209-26		1.94
	UCFA 209-27	7-1/64	5-3/4	55/64	5/8	1-1/2	5/8	2-53/64	4-1/4	3-15/32	2-1/16	1.9370	0.7480	1/2	UC 209-27	FA 209	1.90
UCFA 209-28														UC 209-28		1.86	
50 1-7/8 1-15/16 2	UCFA 210	188	155	22	16	39.0	16	75	114	92	54.6	51.6	19.0	M14	UC 210	FA 210	2.10
	UCFA 210-30														UC 210-30		2.17
	UCFA 210-31	7-13/32	6-7/64	55/64	5/8	1-17/32	5/8	2-61/64	4-31/64	3-5/8	2-5/32	2.0315	0.7480	1/2	UC 210-31	FA 210	2.12
UCFA 210-32														UC 210-32		2.08	



Technical Information



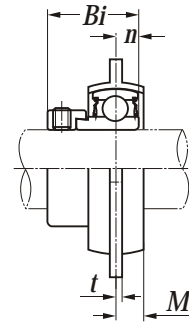
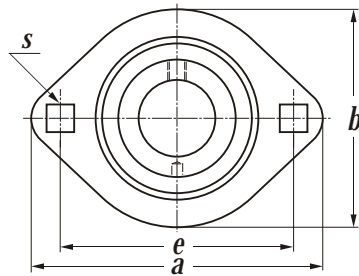
Shaft dia. mm inch	Unit number	Nominal dimensions mm inch														Bolt size mm inch	Bearing number	Housing number	Mass of unit Kg
		a	e	i	g	t	s	h	h ₁	L	b	z	Bi	n					
12 1/2	UCFB 201	109	32	15	11	25.5	10	42	27	52	60	33.3	31.0	12.7	M8	UC 201	FB 204	0.53	
	UCFB 201-8	4-19/64	1-17/64	19/32	7/16	1	25/64	1-21/32	1-1/16	2-1/16	2-23/64	1-5/16	1.2205	0.5000	5/16	UC 201-8	FB 204	0.53	
15 9/16 5/8	UCFB 202	109	32	15	11	25.5	10	42	27	52	60	33.3	31.0	12.7	M8	UC 202	FB 204	0.52	
	UCFB 202-9	4-19/64	1-17/64	19/32	7/16	1	25/64	1-21/32	1-1/16	2-1/16	2-23/64	1-5/16	1.2205	0.5000	5/16	UC 202-9	FB 204	0.52	
	UCFB 202-10	4-19/64	1-17/64	19/32	7/16	1	25/64	1-21/32	1-1/16	2-1/16	2-23/64	1-5/16	1.2205	0.5000	5/16	UC 202-10	FB 204	0.52	
17 11/16	UCFB 203	109	32	15	11	25.5	10	42	27	52	60	33.3	31.0	12.7	M8	UC 203	FB 204	0.51	
	UCFB 203-11	4-19/64	1-17/64	19/32	7/16	1	25/64	1-21/32	1-1/16	2-1/16	2-23/64	1-5/16	1.2205	0.5000	5/16	UC 203-11	FB 204	0.51	
20 3/4	UCFB 204	109	32	15	11	25.5	10	42	27	52	60	33.3	31.0	12.7	M8	UC 204	FB 204	0.49	
	UCFB 204-12	4-19/64	1-17/64	19/32	7/16	1	25/64	1-21/32	1-1/16	2-1/16	2-23/64	1-5/16	1.2205	0.5000	5/16	UC 204-12	FB 204	0.50	
25 13/16 7/8 15/16 1	UCFB 205	116	34	16	13	27.0	10	45	27	56	68	35.7	34.0	14.3	M8	UC 205	FB 205	0.66	
	UCFB 205-13	4-9/16	1-11/32	5/8	3/4	1-1/16	25/64	1-49/64	1-1/16	2-13/64	2-43/64	1-13/32	1.3386	0.5630	5/16	UC 205-13	FB 205	0.70	
	UCFB 205-14	4-9/16	1-11/32	5/8	3/4	1-1/16	25/64	1-49/64	1-1/16	2-13/64	2-43/64	1-13/32	1.3386	0.5630	5/16	UC 205-14	FB 205	0.68	
	UCFB 205-15	4-9/16	1-11/32	5/8	3/4	1-1/16	25/64	1-49/64	1-1/16	2-13/64	2-43/64	1-13/32	1.3386	0.5630	5/16	UC 205-15	FB 205	0.67	
30 1-1/16 1-1/8 1-3/16 1-1/4	UCFB 206	132	40	18	13	31.0	10	50	29	65	80	40.2	38.1	15.9	M8	UC 206	FB 206	0.99	
	UCFB 206-17	5-13/64	1-37/64	45/64	3/4	1-7/32	25/64	1-31/32	1-9/64	2-9/16	3-5/32	1-37/64	1.5000	0.6260	5/16	UC 206-17	FB 206	1.03	
	UCFB 206-18	5-13/64	1-37/64	45/64	3/4	1-7/32	25/64	1-31/32	1-9/64	2-9/16	3-5/32	1-37/64	1.5000	0.6260	5/16	UC 206-18	FB 206	1.01	
	UCFB 206-19	5-13/64	1-37/64	45/64	3/4	1-7/32	25/64	1-31/32	1-9/64	2-9/16	3-5/32	1-37/64	1.5000	0.6260	5/16	UC 206-19	FB 206	0.98	
35 1-1/4 1-5/16 1-3/8 1-7/16	UCFB 207	144	46	19	14	33.0	10	55	32	70	90	44.4	42.9	17.5	M8	UC 207	FB 207	1.21	
	UCFB 207-20	5-43/64	1-13/16	3/4	35/64	1-19/64	25/64	2-11/64	1-17/64	2-3/4	3-35/64	1-3/4	1.6890	0.6890	5/16	UC 207-20	FB 207	1.27	
	UCFB 207-21	5-43/64	1-13/16	3/4	35/64	1-19/64	25/64	2-11/64	1-17/64	2-3/4	3-35/64	1-3/4	1.6890	0.6890	5/16	UC 207-21	FB 207	1.25	
	UCFB 207-22	5-43/64	1-13/16	3/4	35/64	1-19/64	25/64	2-11/64	1-17/64	2-3/4	3-35/64	1-3/4	1.6890	0.6890	5/16	UC 207-22	FB 207	1.22	
40 1-1/2	UCFB 208	164	50	21	16	35.0	12	60	41	78	100	51.2	49.2	19.0	M10	UC 208	FB 208	1.72	
	UCFB 208-24	6-29/64	1-31/32	53/64	5/8	1-3/8	15/32	2-23/64	1-39/64	3-5/64	3-15/16	2-1/64	1.9370	0.7480	3/8	UC 208-24	FB 208	1.76	
45 1-5/8 1-11/16 1-3/4	UCFB 209	175	54	22	16	38.0	12	65	43	80	108	52.2	49.2	19.0	M10	UC 209	FB 209	1.86	
	UCFB 209-26	6-57/64	2-1/8	55/64	5/8	1-1/2	15/32	2-9/16	1-11/16	3-5/32	4-1/4	2-1/16	1.9370	0.7480	3/8	UC 209-26	FB 209	1.96	
	UCFB 209-27	6-57/64	2-1/8	55/64	5/8	1-1/2	15/32	2-9/16	1-11/16	3-5/32	4-1/4	2-1/16	1.9370	0.7480	3/8	UC 209-27	FB 209	1.92	
50 1-7/8 1-15/16 2	UCFB 210	184	58	22	16	39.0	12	68	46	86	114	54.6	51.6	19.0	M10	UC 210	FB 210	2.36	
	UCFB 210-30	7-1/4	2-9/32	55/64	5/8	1-17/32	15/32	2-43/64	1-13/16	3-25/64	4-31/64	2-5/32	2.0315	0.7480	3/8	UC 210-30	FB 210	2.43	
	UCFB 210-31	7-1/4	2-9/32	55/64	5/8	1-17/32	15/32	2-43/64	1-13/16	3-25/64	4-31/64	2-5/32	2.0315	0.7480	3/8	UC 210-31	FB 210	2.38	
	UCFB 210-32	7-1/4	2-9/32	55/64	5/8	1-17/32	15/32	2-43/64	1-13/16	3-25/64	4-31/64	2-5/32	2.0315	0.7480	3/8	UC 210-32	FB 210	2.34	



Shaft dia. mm inch	Unit number	Nominal dimensions														Bolt size mm inch	Bearing number	Housing number	Mass of unit Kg
		mm		inch		a	e	i	g	t	s	h	h ₁	L	b				
55 2 2-1/16 2-1/8 2-3/16	UCFB 211	207	62	25	18	42.5	14	78	50	90	128	58.4	55.6	22.2	M12	UC 211	FB 211	3.11	
	UCFB 211-32															UC 211-32	FB 211	3.26	
	UCFB 211-33															UC 211-33	FB 211	3.21	
	UCFB 211-34	8-5/32	2-7/16	63/64	45/64	1-43/64	35/64	3-5/64	1-31/32	3-35/64	5-1/16	2-19/64	2.1890	0.8740	7/16	UC 211-34	FB 211	3.16	
	UCFB 211-35															UC 211-35	FB 211	3.09	
60 2-1/4 2-5/16 2-3/8 2-7/16	UCFB 212	224	66	29	19	47.5	14	84	55	94	140	68.7	65.1	25.4	M12	UC 212	FB 212	4.07	
	UCFB 212-36															UC 212-36	FB 212	4.21	
	UCFB 212-37															UC 212-37	FB 212	4.14	
	UCFB 212-38	8-13/16	2-19/32	1-9/64	3/4	1-7/8	35/64	3-5/16	2-11/64	3-45/64	5-3/64	2-45/64	2.5630	1.0000	7/16	UC 212-38	FB 212	4.05	
	UCFB 212-39															UC 212-39	FB 212	3.99	
65 2-1/2 2-9/16	UCFB 213	244	70	30	20	49.0	14	92	60	102	152	69.7	65.1	25.4	M12	UC 213	FB 213	4.86	
	UCFB 213-40															UC 213-40	FB 213	4.94	
	UCFB 213-41	9-39/64	2-3/4	1-3/16	25/32	1-59/64	35/64	3-5/8	2-23/64	4-1/64	5-63/64	2-3/4	2.5630	1.0000	7/16	UC 213-41	FB 213	4.78	



Technical Information

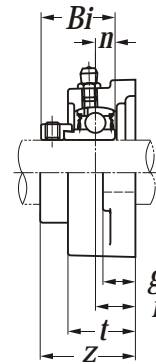
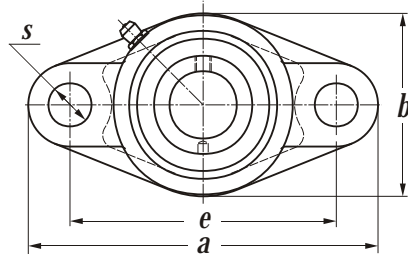


Shaft dia. mm inch	Unit number	Nominal dimensions mm inch								Bolt size mm inch	Bearing number	Housing number	Mass of unit Kg
		a	e	M	t	s	b	Bi	n				
12 1/2	SAPFL 201	81	63.5	7.0	2.0	7.1	59	28.5	6.0	M6	SA 201	PFL 203	0.22
	SAPFL 201-8	3-3/16	2-1/2	9/32	5/64	9/32	2-21/64	1.1220	0.2362	1/4	SA 201-8	PFL 203	0.22
15 9/16 5/8	SAPFL 202	81	63.5	7.0	2.0	7.1	59	28.5	6.0	M6	SA 202	PFL 203	0.21
	SAPFL 202-9	3-3/16	2-1/2	9/32	5/64	9/32	2-21/64	1.1220	0.2362	1/4	SA 202-9	PFL 203	0.21
	SAPFL 202-10	3-3/16	2-1/2	9/32	5/64	9/32	2-21/64	1.1220	0.2362	1/4	SA 202-10	PFL 203	0.21
17 11/16	SAPFL 203	81	63.5	7.0	2.0	7.1	59	28.5	6.0	M6	SA 203	PFL 203	0.20
	SAPFL 203-11	3-3/16	2-1/2	9/32	5/64	9/32	2-21/64	1.1220	0.2362	1/4	SA 203-11	PFL 203	0.20
20 3/4	SAPFL 204	90	71.5	8.0	2.0	9.0	67	29.5	7.0	M8	SA 204	PFL 204	0.27
	SAPFL 204-12	3-35/64	2-13/16	5/16	5/64	23/64	2-41/64	1.1614	0.2756	5/16	SA 204-12	PFL 204	0.28
25 13/16 7/8 15/16 1	SAPFL 205	95	76.0	9.0	2.0	9.0	71	30.5	7.5	M8	SA 205	PFL 205	0.30
	SAPFL 205-13	3-47/64	2-63/64	23/64	5/64	23/64	2-51/64	1.2008	0.2953	5/16	SA 205-13	PFL 205	0.33
	SAPFL 205-14	3-47/64	2-63/64	23/64	5/64	23/64	2-51/64	1.2008	0.2953	5/16	SA 205-14	PFL 205	0.32
	SAPFL 205-15	3-47/64	2-63/64	23/64	5/64	23/64	2-51/64	1.2008	0.2953	5/16	SA 205-15	PFL 205	0.31
	SAPFL 205-16	3-47/64	2-63/64	23/64	5/64	23/64	2-51/64	1.2008	0.2953	5/16	SA 205-16	PFL 205	0.28
30 1-1/16 1-1/8 1-3/16 1-1/4	SAPFL 206	113	90.5	9.5	2.6	11.0	84	33.9	8.0	M10	SA 206	PFL 206	0.51
	SAPFL 206-17	4-29/64	3-9/16	3/8	7/64	7/16	3-5/16	1.3346	0.3150	3/8	SA 206-17	PFL 206	0.55
	SAPFL 206-18	4-29/64	3-9/16	3/8	7/64	7/16	3-5/16	1.3346	0.3150	3/8	SA 206-18	PFL 206	0.53
	SAPFL 206-19	4-29/64	3-9/16	3/8	7/64	7/16	3-5/16	1.3346	0.3150	3/8	SA 206-19	PFL 206	0.49
	SAPFL 206-20	4-29/64	3-9/16	3/8	7/64	7/16	3-5/16	1.3346	0.3150	3/8	SA 206-20	PFL 206	0.46
35 1-1/4 1-5/16 1-3/8 1-7/16	SAPFL 207	122	100.0	11.0	2.6	11.0	94	37.5	8.5	M10	SA 207	PFL 207	0.70
	SAPFL 207-20	4-51/64	3-15/16	7/16	7/64	7/16	3-45/64	1.4764	0.3543	3/8	SA 207-20	PFL 207	0.76
	SAPFL 207-21	4-51/64	3-15/16	7/16	7/64	7/16	3-45/64	1.4764	0.3543	3/8	SA 207-21	PFL 207	0.73
	SAPFL 207-22	4-51/64	3-15/16	7/16	7/64	7/16	3-45/64	1.4764	0.3543	3/8	SA 207-22	PFL 207	0.71
	SAPFL 207-23	4-51/64	3-15/16	7/16	7/64	7/16	3-45/64	1.4764	0.3543	3/8	SA 207-23	PFL 207	0.68



Technical Information

STANDARD DUTY TWO BOLTS FLANGED UNITS CAST HOUSING ECCENTRIC LOCKING COLLAR TYPE

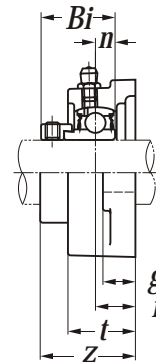
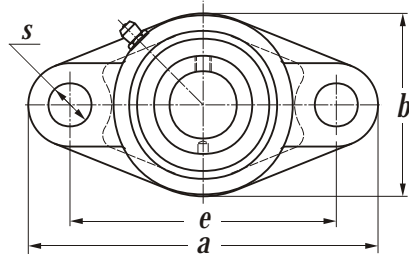


Shaft dia. mm inch	Unit number	Nominal dimensions mm inch										Bolt size mm inch	Bearing number	Housing number	Mass of unit Kg
		a	e	i	g	t	s	b	z	Bi	n				
20 3/4	SAFT 204	112.5	90.0	19	15	29.5	10.0	61	41.5	29.5	7.0	M8	SA 204	FT 204	0.52
	SAFT 204-12	4-27/64	3-35/64	3/4	19/32	1-5/32	25/64	2-13/33	1-41/64	1.1614	0.2756	5/16	SA 204-12	FT 204	0.53
25 13/16 7/8 15/16 1	SAFT 205	123.0	99.0	19	15	30.0	11.5	70	42.0	30.5	7.5	M10	SA 205	FT 205	0.59
	SAFT 205-13	4-27/32	3-57/64	3/4	19/32	1-3/16	29/64	2-3/5	1-21/32	1.2008	0.2953	3/8	SA 205-13	FT 205	0.62
	SAFT 205-14												SA 205-14		0.61
	SAFT 205-15												SA 205-15		0.60
SAFT 205-16	SA 205-16												0.57		
30 1-1/16 1-1/8 1-3/16 1-1/4	SAFT 206	142.0	116.5	20	16	32.5	11.5	82	45.9	33.9	8.0	M10	SA 206	FT 206	0.86
	SAFT 206-17	5-19/32	4-19/32	25/32	5/8	1-9/32	29/64	3-15/65	1-13/16	1.3346	0.3150	3/8	SA 206-17	FT 206	0.90
	SAFT 206-18												SA 206-18		0.88
	SAFT 206-19												SA 206-19		0.84
SAFT 206-20	SA 206-20												0.81		
35 1-1/4 1-5/16 1-3/8 1-7/16	SAFT 207	158.0	130.0	21	17	36.0	13.0	94	50.0	37.5	8.5	M10	SA 207	FT 207	1.30
	SAFT 207-20	6-7/32	5-1/8	53/64	43/64	1-27/64	3/64	3-45/65	1-31/32	1.4764	0.3543	7/16	SA 207-20	FT 207	1.36
	SAFT 207-21												SA 207-21		1.33
	SAFT 207-22												SA 207-22		1.31
SAFT 207-23	SA 207-23												1.28		
40 1-1/2	SAFT 208	172.0	143.5	24	17	39.0	13.0	103	55.0	40.5	9.5	M10	SA 208	FT 208	1.50
	SAFT 208-24	6-49/64	5-21/32	15/16	43/64	1-17/32	3/64	4-1/17	2-11/64	1.5945	0.3740	7/16	SA 208-24	FT 208	1.53
45 1-5/8 1-11/16 1-3/4	SAFT 209	180.0	148.5	24	18	40.0	15.0	108	56.2	42.2	10.0	M12	SA 209	FT 209	1.72
	SAFT 209-26	7-3/32	5-27/32	15/16	45/64	1-37/64	19/32	4-1/5	2-7/32	1.6614	0.3937	1/2	SA 209-26	FT 209	1.85
	SAFT 209-27												SA 209-27		1.79
SAFT 209-28	SA 209-28												1.76		
50 1-7/8 1-15/16 2	SAFT 210	190.0	157.0	28	20	45.0	15.0	114	61.2	43.7	10.5	M12	SA 210	FT 210	1.97
	SAFT 210-30	7-31/64	6-3/16	1-7/64	25/32	1-49/64	19/32	4-31/65	2-13/32	1.7205	0.4134	1/2	SA 210-30	FT 210	2.02
	SAFT 210-31												SA 210-31		2.00
	SAFT 210-32												SA 210-32		1.94
55 2 2-1/16 2-1/8 2-3/16	SAFT 211	217.0	184.0	31	21	48.0	16.5	128	67.9	48.4	11.5	M14	SA 211	FT 211	2.54
	SAFT 211-32	8-35/64	7-1/4	1-7/32	53/64	1-57/64	21/32	5-1/17	2-43/64	1.9055	0.4528	9/16	SA 211-32	FT 211	2.85
	SAFT 211-33												SA 211-33		2.80
	SAFT 211-34												SA 211-34		2.63
	SAFT 211-35												SA 211-35		2.48



Technical Information

STANDARD DUTY TWO BOLTS FLANGED UNITS CAST HOUSING ECCENTRIC LOCKING COLLAR TYPE

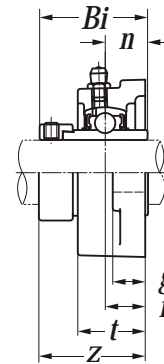
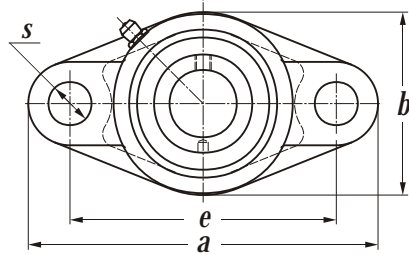


Shaft dia. mm inch	Unit number	Nominal dimensions mm inch										Bolt size mm inch	Bearing number	Housing number	Mass of unit Kg
		a	e	i	g	t	s	b	z	Bi	n				
20 3/4	SAFL 204	113	90	15	11	25.5	12	60	37.5	29.5	7.0	M 10	SA 204	FL 204	0.44
	SAFL 204-12	4-29/64	3-35/64	19/32	7/16	1	15/32	2-23/64	1-15/32	1.1614	0.2756	3/8	SA 204-12	FL 204	0.45
25 13/16 7/8 15/16 1	SAFL 205	130	99	16	13	27.0	16	68	39.0	30.5	7.5	M 14	SA 205	FL 205	0.59
	SAFL 205-13												SA 205-13		0.62
	SAFL 205-14												SA 205-14	FL 205	0.61
	SAFL 205-15	5-1/8	3-57/64	5/8	3/64	1-1/16	5/8	2-43/64	1-17/32	1.2008	0.2953	1/2	SA 205-15		0.60
	SAFL 205-16												SA 205-16		0.57
30 1-1/16 1-1/8 1-3/16 1-1/4	SAFL 206	148	117	18	13	31.0	16	80	43.9	33.9	8.0	M 14	SA 206	FL 206	0.92
	SAFL 206-17												SA 206-17		0.96
	SAFL 206-18												SA 206-18	FL 206	0.94
	SAFL 206-19	5-53/64	4-39/64	45/64	3/64	1-7/32	5/8	3-5/32	1-47/64	1.3346	0.3150	1/2	SA 206-19		0.90
	SAFL 206-20												SA 206-20		0.87
35 1-1/4 1-5/16 1-3/8 1-7/16	SAFL 207	161	130	19	14	34.0	16	90	48.0	37.5	8.5	M 14	SA 207	FL 207	1.17
	SAFL 207-20												SA 207-20		1.23
	SAFL 207-21												SA 207-21	FL 207	1.20
	SAFL 207-22	6-11/32	5-1/8	3/4	35/64	1-11/32	5/8	3-35/64	1-57/64	1.4764	0.3543	1/2	SA 207-22		1.18
	SAFL 207-23												SA 207-23		1.15
40 1-1/2	SAFL 208	175	144	21	14	36.0	16	100	52.0	40.5	9.5	M 14	SA 208	FL 208	1.44
	SAFL 208-24	6-57/64	5-43/64	53/64	35/64	1-27/64	5/8	3-15/16	2-1/16	1.5945	0.3740	1/2	SA 208-24	FL 208	1.47
45 1-5/8 1-11/16 1-3/4	SAFL 209	188	148	22	16	38.0	19	108	54.2	42.2	10.0	M 16	SA 209	FL 209	1.81
	SAFL 209-26												SA 209-26		1.94
	SAFL 209-27	7-13/32	5-53/64	55/64	5/8	1-1/2	3/4	4-1/4	2-9/64	1.6614	0.3937	5/8	SA 209-27	FL 209	1.88
	SAFL 209-28												SA 209-28		1.85
50 1-7/8 1-15/16 2	SAFL 210	197	157	22	16	40.0	19	115	55.2	43.7	10.5	M 16	SA 210	FL 210	2.13
	SAFL 210-30												SA 210-30		2.18
	SAFL 210-31	7-3/4	6-3/16	55/64	5/8	1-37/64	3/4	4-17/32	2-11/64	1.7205	0.4134	5/8	SA 210-31	FL 210	2.16
	SAFL 210-32												SA 210-32		2.10
55 2 2-1/16 2-1/8 2-3/16	SAFL 211	224	184	25	18	43.0	19	130	61.9	48.4	11.5	M 16	SA 211	FL 211	2.61
	SAFL 211-32												SA 211-32		2.92
	SAFL 211-33												SA 211-33	FL 211	2.87
	SAFL 211-34	8-13/16	7-1/4	63/64	45/64	1-11/16	3/4	5-1/8	2-7/16	1.9055	0.4528	5/8	SA 211-34		2.70
	SAFL 211-35												SA 211-35		2.55

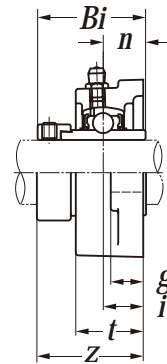
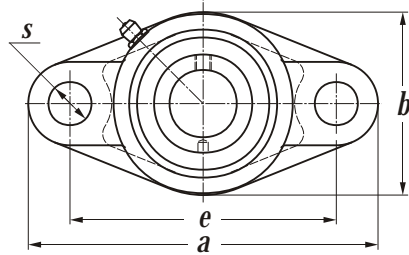


Technical Information

STANDARD DUTY TWO BOLTS FLANGED UNITS CAST HOUSING ECCENTRIC LOCKING COLLAR TYPE



Shaft dia. mm inch	Unit number	Nominal dimensions mm inch										Bolt size mm inch	Bearing number	Housing number	Mass of unit Kg
		a	e	i	g	t	s	b	z	Bi	n				
20 3/4	UELFT 204	112.5	90.0	19	15	29.5	10.0	61	45.5	43.5	17.0	M8	UEL 204	FT 204	0.56
	UELFT 204-12	4-27/64	3-35/64	3/4	19/32	1-5/32	25/64	2-13/33	1-51/64	1.7126	0.6693	5/16	UEL 204-12	FT 204	0.57
25 13/16 7/8 15/16 1	UELFT 205	123.0	99.0	19	15	30.0	11.5	70	45.9	44.3	17.4	M10	UEL 205	FT 205	0.64
	UELFT 205-13	4-27/32	3-57/64	3/4	19/32	1-3/16	29/64	2-3/5	1-13/16	1.7441	0.6850	3/8	UEL 205-13	FT 205	0.70
	UELFT 205-14												UEL 205-14		0.68
	UELFT 205-15												UEL 205-15		0.66
UELFT 205-16	UEL 205-16												0.63		
30 1-1/16 1-1/8 1-3/16 1-1/4	UELFT 206	142.0	116.5	20	16	32.5	11.5	82	50.1	48.3	18.2	M10	UEL 206	FT 206	0.94
	UELFT 206-17	5-19/32	4-19/32	25/32	5/8	1-9/32	29/64	3-15/65	1-31/32	1.9016	0.7165	3/8	UEL 206-17	FT 206	0.99
	UELFT 206-18												UEL 206-18		0.96
	UELFT 206-19												UEL 206-19		0.93
UELFT 206-20	UEL 206-20												0.91		
35 1-1/4 1-5/16 1-3/8 1-7/16	UELFT 207	158.0	130.0	21	17	36.0	13.0	94	53.3	51.1	18.8	M10	UEL 207	FT 207	1.40
	UELFT 207-20	6-7/32	5-1/8	53/64	43/64	1-27/64	3/64	3-45/65	2-3/32	2.0118	0.7402	7/16	UEL 207-20	FT 207	1.48
	UELFT 207-21												UEL 207-21		1.45
	UELFT 207-22												UEL 207-22		1.41
UELFT 207-23	UEL 207-23												1.38		
40 1-1/2	UELFT 208	172.0	143.5	24	17	39.0	13.0	103	58.9	56.3	21.4	M10	UEL 208	FT 208	1.63
	UELFT 208-24	6-49/64	5-21/32	15/16	43/64	1-17/32	3/64	4-1/17	2-5/16	2.2165	0.8425	7/16	UEL 208-24	FT 208	1.68
45 1-5/8 1-11/16 1-3/4	UELFT 209	180.0	148.5	24	18	40.0	15.0	108	58.9	56.3	21.4	M12	UEL 209	FT 209	1.88
	UELFT 209-26	7-3/32	5-27/32	15/16	45/64	1-37/64	19/32	4-1/5	2-5/16	2.2165	0.8425	1/2	UEL 209-26	FT 209	1.99
	UELFT 209-27												UEL 209-27		1.94
UELFT 209-28	UEL 209-28												1.90		
50 1-7/8 1-15/16 2	UELFT 210	190.0	157.0	28	20	45.0	15.0	114	66.1	62.7	24.6	M12	UEL 210	FT 210	2.18
	UELFT 210-30	7-31/64	6-3/16	1-7/64	25/32	1-49/64	19/32	4-31/65	2-39/64	2.4685	0.9685	1/2	UEL 210-30	FT 210	2.27
	UELFT 210-31												UEL 210-31		2.21
	UELFT 210-32												UEL 210-32		2.15
55 2 2-1/16 2-1/8 2-3/16	UELFT 211	217.0	184.0	31	21	48.0	16.5	128	74.6	71.3	27.7	M14	UEL 211	FT 211	3.06
	UELFT 211-32	8-35/64	7-1/4	1-7/32	53/64	1-57/64	21/32	5-1/17	2-15/16	2.8071	1.0906	9/16	UEL 211-32	FT 211	3.25
	UELFT 211-33												UEL 211-33		3.19
	UELFT 211-34												UEL 211-34		3.11
	UELFT 211-35												UEL 211-35		3.03

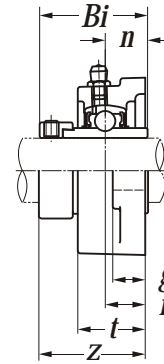
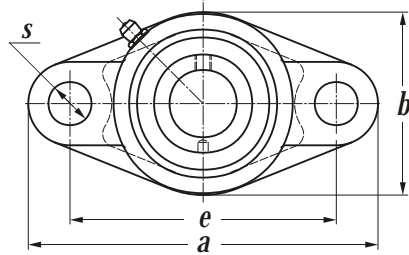

 STANDARD DUTY TWO BOLTS FLANGED UNITS CAST HOUSING
 ECCENTRIC LOCKING COLLAR TYPE


Shaft dia. mm inch	Unit number	Nominal dimensions										Bolt size mm inch	Bearing number	Housing number	Mass of unit Kg
		mm		inch		<i>a</i>	<i>e</i>	<i>i</i>	<i>g</i>	<i>t</i>	<i>s</i>				
60	UELFT 212	237.0	202.0	34	21	53.0	16.5	138	80.8	77.7	30.9	M14	UEL 212	FT 212	3.96
2-1/4	UELFT 212-36												UEL 212-36		4.12
2-5/16	UELFT 212-37												UEL 212-37		4.03
2-3/8	UELFT 212-38	9-21/64	7-61/64	1-11/32	53/64	2-3/32	21/32	5-7/17	3-3/16	3.0591	1.2165	9/16	UEL 212-38	FT 212	3.94
2-7/16	UELFT 212-39												UEL 212-39		3.85
65	UELFT 213	256.0	210.0	38	22	56.0	21.0	152	89.6	85.7	34.1	M20	UEL 213	FT 213	5.06
2-1/2	UELFT 213-40												UEL 213-40		5.16
2-9/16	UELFT 213-41	10-5/64	8-17/64	1-1/2	55/64	2-13/64	53/64	5-63/65	3-17/32	3.3740	1.3425	3/4	UEL 213-41	FT 213	5.05
70	UELFT 214	264.0	216.0	38	23	58.0	21.0	157	89.6	85.7	34.1	M20	UEL 214	FT 214	5.33
2-5/8	UELFT 214-42												UEL 214-42		5.57
2-11/16	UELFT 214-43	10-25/64	8-1/2	1-1/2	29/32	2-9/32	53/64	6-3/17	3-17/32	3.3740	1.3425	3/4	UEL 214-43	FT 214	5.46
2-3/4	UELFT 214-44												UEL 214-44		5.34



Technical Information

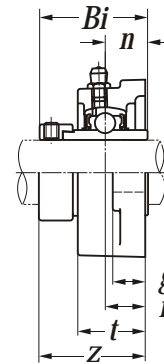
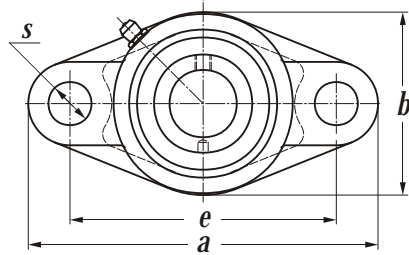
STANDARD DUTY TWO BOLTS FLANGED UNITS CAST HOUSING ECCENTRIC LOCKING COLLAR TYPE



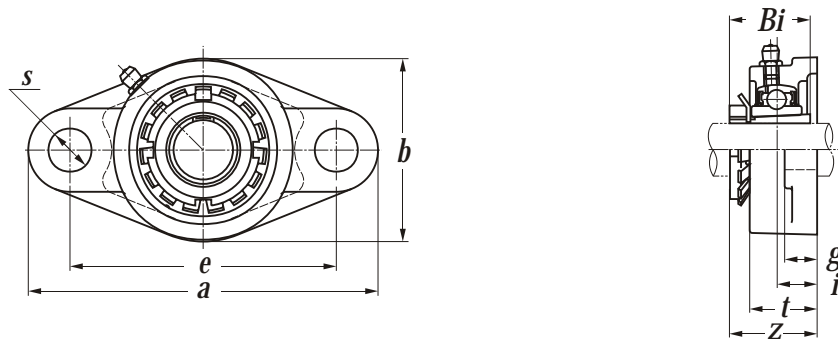
Shaft dia. mm inch	Unit number	Nominal dimensions										Bolt size mm inch	Bearing number	Housing number	Mass of unit Kg
		a	e	i	g	t	b	s	z	Bi	n				
12 1/2	UELFL 201	113	90	15	11	25.5	60	12	41.5	43.5	17.0	M10	UEL 201	FL 204	0.53
	UELFL 201-8	4-29/64	3-35/64	19/32	7/16	1	15/32	2-23/64	1-41/64	1.7126	0.6693	3/8	UEL 201-8	FL 204	0.53
15 9/16 5/8	UELFL 202	113	90	15	11	25.5	60	12	41.5	43.5	17.0	M10	UEL 202	FL 204	0.51
	UELFL 202-9	4-29/64	3-35/64	19/32	7/16	1	15/32	2-23/64	1-41/64	1.7126	0.6693	3/8	UEL 202-9	FL 204	0.51
	UELFL 202-10	4-29/64	3-35/64	19/32	7/16	1	15/32	2-23/64	1-41/64	1.7126	0.6693	3/8	UEL 202-10	FL 204	0.51
17 11/16	UELFL 203	113	90	15	11	25.5	60	12	41.5	43.5	17.0	M10	UEL 203	FL 204	0.50
	UELFL 203-11	4-29/64	3-35/64	19/32	7/16	1	15/32	2-23/64	1-41/64	1.7126	0.6693	3/8	UEL 203-11	FL 204	0.50
20 3/4	UELFL 204	113	90	15	11	25.5	60	12	41.5	43.5	17.0	M10	UEL 204	FL 204	0.48
	UELFL 204-12	4-29/64	3-35/64	19/32	7/16	1	15/32	2-23/64	1-41/64	1.7126	0.6693	3/8	UEL 204-12	FL 204	0.49
25 13/16 7/8 15/16 1	UELFL 205	130	99	16	13	27.0	68	16	42.9	44.3	17.4	M14	UEL 205	FL 205	0.64
	UELFL 205-13												UEL 205-13		0.70
	UELFL 205-14												UEL 205-14		0.68
	UELFL 205-15	5-1/8	3-57/64	5/8	3/64	1-1/16	5/8	2-43/64	1-11/16	1.7441	0.6850	1/2	UEL 205-15	FL 205	0.66
30 1-1/16 1-1/8 1-3/16 1-1/4	UELFL 205-16												UEL 205-16		0.63
	UELFL 206	148	117	18	13	31.0	80	16	48.1	48.3	18.2	M14	UEL 206	FL 206	1.00
	UELFL 206-17												UEL 206-17		1.05
	UELFL 206-18	5-53/64	4-39/64	45/64	3/64	1-7/32	5/8	3-5/32	1-57/64	1.9016	0.7165	1/2	UEL 206-18	FL 206	1.02
35 1-1/4 1-5/16 1-3/8 1-7/16	UELFL 206-19												UEL 206-19		0.99
	UELFL 206-20												UEL 206-20		0.97
	UELFL 207	161	130	19	14	34.0	90	16	51.3	51.1	18.8	M14	UEL 207	FL 207	1.27
	UELFL 207-20												UEL 207-20		1.35
40 1-1/2	UELFL 207-21	6-11/32	5-1/8	3/4	35/64	1-11/32	5/8	3-35/64	2-1/64	2.0118	0.7402	1/2	UEL 207-21	FL 207	1.32
	UELFL 207-22												UEL 207-22		1.28
	UELFL 207-23												UEL 207-23		1.25
45 1-5/8 1-11/16 1-3/4	UELFL 208	175	144	21	14	36.0	100	16	55.9	56.3	21.4	M14	UEL 208	FL 208	1.57
	UELFL 208-24	6-57/64	5-43/64	53/64	35/64	1-27/64	5/8	3-15/16	2-13/64	2.2165	0.8425	1/2	UEL 208-24	FL 208	1.62
50 1-7/8 1-15/16 2	UELFL 209	188	148	22	16	38.0	108	19	56.9	56.3	21.4	M16	UEL 209	FL 209	1.97
	UELFL 209-26												UEL 209-26		2.08
	UELFL 209-27	7-13/32	5-53/64	55/64	5/8	1-1/2	3/4	4-1/4	2-15/64	2.2165	0.8425	5/8	UEL 209-27	FL 209	2.03
50 1-7/8 1-15/16 2	UELFL 209-28												UEL 209-28		1.99
	UELFL 210	197	157	22	16	40.0	115	19	60.1	62.7	24.6	M16	UEL 210	FL 210	2.34
50 1-7/8 1-15/16 2	UELFL 210-30												UEL 210-30		2.43
	UELFL 210-31	7-3/4	6-3/16	55/64	5/8	1-37/64	3/4	4-17/32	2-23/64	2.4685	0.9685	5/8	UEL 210-31	FL 210	2.37
	UELFL 210-32												UEL 210-32		2.31



STANDARD DUTY TWO BOLTS FLANGED UNITS CAST HOUSING
ECCENTRIC LOCKING COLLAR TYPE



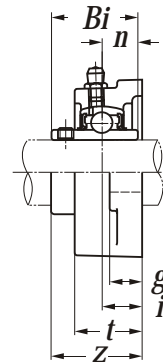
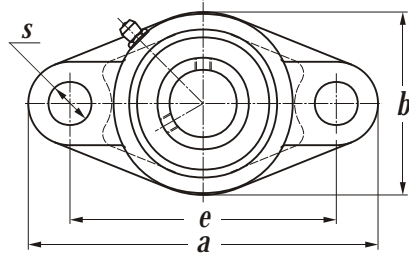
Shaft dia. mm inch	Unit number	Nominal dimensions										Bolt size mm inch	Bearing number	Housing number	Mass of unit Kg
		mm		inch		mm		inch		mm					
		<i>a</i>	<i>e</i>	<i>i</i>	<i>g</i>	<i>t</i>	<i>b</i>	<i>s</i>	<i>z</i>	<i>Bi</i>	<i>n</i>				
55	UELFL 211	224	184	25	18	43.0	130	19	68.6	71.3	27.7	M16	UEL 211	FL 211	3.13
2	UELFL 211-32												UEL 211-32		3.32
2-1/16	UELFL 211-33												UEL 211-33	FL 211	3.26
2-1/8	UELFL 211-34	8-13/16	7-1/4	63/64	45/64	1-11/16	3/4	5-1/8	2-45/64	2.8071	1.0906	5/8	UEL 211-34		3.18
2-3/16	UELFL 211-35												UEL 211-35		3.10
60	UELFL 212	250	202	29	18	48.0	140	23	75.8	77.3	30.9	M20	UEL 212	FL 212	4.10
2-1/4	UELFL 212-36												UEL 212-36		4.26
2-5/16	UELFL 212-37												UEL 212-37	FL 212	4.17
2-3/8	UELFL 212-38	9-27/32	7-61/64	1-9/64	45/64	1-57/64	29/32	5-3/64	2-63/64	3.0591	1.2165	3/4	UEL 212-38		4.08
2-7/16	UELFL 212-39												UEL 212-39		3.99
65	UELFL 213	258	210	30	20	50.0	155	23	81.6	85.7	34.1	M20	UEL 213	FL 213	5.18
2-1/2	UELFL 213-40												UEL 213-40		5.28
2-9/16	UELFL 213-41	10-5/32	8-17/64	1-3/16	25/32	1-31/32	29/32	6-7/64	3-7/32	3.3740	1.3425	3/4	UEL 213-41	FL 213	5.17
70	UELFL 214	265	216	31	20	54.0	160	23	82.6	85.7	34.1	M20	UEL 214	FL 214	5.74
2-5/8	UELFL 214-42												UEL 214-42		5.98
2-11/16	UELFL 214-43	10-7/16	8-1/2	1-7/32	25/32	2-1/8	29/32	6-19/64	3-1/4	3.3740	1.3425	3/4	UEL 214-43	FL 214	5.87
2-3/4	UELFL 214-44												UEL 214-44		5.75
75	UELFL 215	275	225	34	20	56.0	165	23	88.8	92.1	37.3	M20	UEL 215	FL 215	5.99
2-13/16	UELFL 215-45												UEL 215-45		6.28
2-7/8	UELFL 215-46												UEL 215-46	FL 215	6.15
2-15/16	UELFL 215-47	10-53/64	8-55/64	1-11/32	25/32	2-13/64	29/32	6-1/2	3-1/2	3.6260	1.4685	3/4	UEL 215-47		6.02
3	UELFL 215-48												UEL 215-48		5.89


Technical Information


Shaft dia. mm	Unit number	Nominal dimensions mm									Bolt size mm	Bearing number	Housing number	Mass of unit Kg
		<i>a</i>	<i>e</i>	<i>i</i>	<i>g</i>	<i>t</i>	<i>b</i>	<i>s</i>	<i>z</i>	<i>Bi</i>				
20	UKFL 205	130	99	16	13	27.0	68	16	35.5	35	M14	UK 205	FL 205	0.54
25	UKFL 206	148	117	18	13	31.0	80	16	39.0	38	M14	UK 206	FL 206	0.84
30	UKFL 207	161	130	19	14	34.0	90	16	42.5	43	M14	UK 207	FL 207	1.04
35	UKFL 208	175	144	21	14	36.0	100	16	46.5	46	M14	UK 208	FL 208	1.27
40	UKFL 209	188	148	22	16	38.0	108	19	48.5	50	M16	UK 209	FL 209	1.65
45	UKFL 210	197	157	22	16	40.0	115	19	50.0	55	M16	UK 210	FL 210	1.92
50	UKFL 211	224	184	25	18	43.0	130	19	54.5	59	M16	UK 211	FL 211	2.51
55	UKFL 212	250	202	29	18	48.0	140	23	61.0	62	M20	UK 212	FL 212	3.26
60	UKFL 213	258	210	30	20	50.0	155	23	64.0	65	M20	UK 213	FL 213	4.13



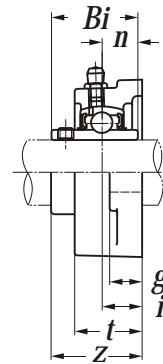
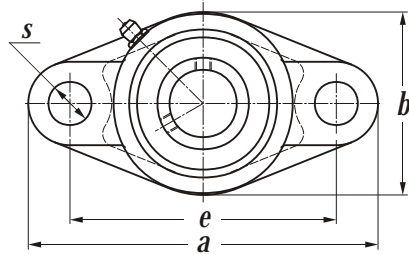
Technical Information



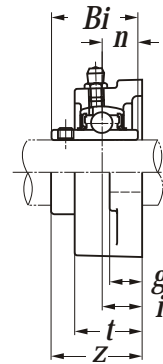
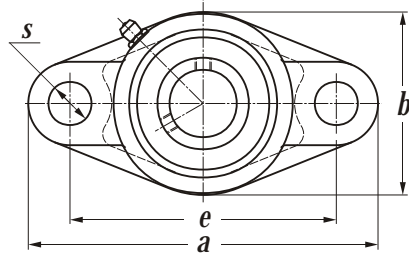
Shaft dia. mm inch	Unit number	Nominal dimensions										Bolt size mm inch	Bearing number	Housing number	Mass of unit Kg
		mm		inch											
		<i>a</i>	<i>e</i>	<i>i</i>	<i>g</i>	<i>t</i>	<i>b</i>	<i>s</i>	<i>z</i>	<i>Bi</i>	<i>n</i>				
25	UCFL X05	141	117	18	13	30	83	12	40.2	38.1	15.9	M10	UC X05	FL X05	0.95
13/16	UCFL X05-13												UC X05-13		1.00
7/8	UCFL X05-14												UC X05-14	FL X05	0.98
15/16	UCFL X05-15	5-35/64	4-39/64	45/64	3/64	1-3/16	3-17/64	15/32	1-37/64	1.5000	0.6260	3/8	UC X05-15		0.96
1	UCFL X05-16												UC X05-16		0.94
30	UCFL X06	156	130	19	15	34	95	16	44.4	42.9	17.5	M14	UC X06	FL X06	1.34
1-1/16	UCFL X06-17												UC X06-17		1.36
1-1/8	UCFL X06-18												UC X06-18	FL X06	1.35
1-3/16	UCFL X06-19	6-9/64	5-1/8	3/4	19/32	1-11/32	3-47/64	5/8	1-3/4	1.6890	0.6890	1/2	UC X06-19		1.32
1-1/4	UCFL X06-20												UC X06-20		1.31
35	UCFL X07	171	144	21	16	38	105	16	51.2	49.2	19.0	M14	UC X07	FL X07	1.74
1-1/4	UCFL X07-20												UC X07-20		1.78
1-5/16	UCFL X07-21												UC X07-21	FL X07	1.77
1-3/8	UCFL X07-22	6-47/64	5-43/64	53/64	5/8	1-1/2	4-9/64	5/8	2-1/64	1.9370	0.7480	1/2	UC X07-22		1.76
1-7/16	UCFL X07-23												UC X07-23		1.72
40	UCFL X08	179	148	22	16	40	111	16	52.2	49.2	19.0	M14	UC X08	FL X08	1.97
1-1/2	UCFL X08-24	7-1/16	5-53/64	55/64	5/8	1-37/64	4-3/8	5/8	2-1/16	1.9370	0.7480	1/2	UC X08-24	FL X08	2.01
45	UCFL X09	189	157	23	16	40	116	16	55.6	51.6	19.0	M14	UC X09	FL X09	2.18
1-5/8	UCFL X09-26												UC X09-26		2.33
1-11/16	UCFL X09-27	7-7/16	6-3/16	29/32	5/8	1-37/64	4-9/16	5/8	2-3/16	2.0315	0.7480	1/2	UC X09-27	FL X09	2.24
1-3/4	UCFL X09-28												UC X09-28		2.20
50	UCFL X10	216	184	26	18	44	133	19	59.4	55.6	22.2	M16	UC X10	FL X10	3.19
1-7/8	UCFL X10-30												UC X10-30		3.33
1-15/16	UCFL X10-31	8-1/2	7-1/4	1-1/64	45/64	1-47/64	5-15/64	3/4	2-11/32	2.1890	0.8740	5/8	UC X10-31	FL X10	3.22
2	UCFL X10-32												UC X10-32		3.16



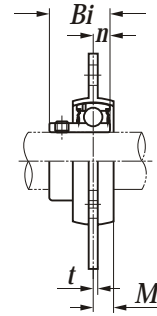
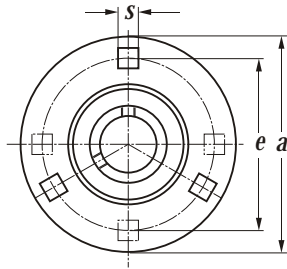
Technical Information



Shaft dia. mm inch	Unit number	Nominal dimensions										Bolt size mm inch	Bearing number	Housing number	Mass of unit Kg
		mm		inch		<i>a</i>	<i>e</i>	<i>i</i>	<i>g</i>	<i>t</i>	<i>b</i>				
25	UCFL 305	150	113	16	13	29	80	19	39	38	15	M16	UC 305	FL 305	0.88
13/16	UCFL 305-13												UC 305-13		0.92
7/8	UCFL 305-14												UC 305-14	FL 305	0.91
15/16	UCFL 305-15	5-29/32	4-29/64	5/8	3/64	1-9/64	3-5/32	3/4	1-17/32	1.4961	0.5906	5/8	UC 305-15		0.89
1	UCFL 305-16												UC 305-16		0.87
30	UCFL 306	180	134	18	15	32	90	23	44	43	17	M20	UC 306	FL 306	1.34
1-1/16	UCFL 306-17												UC 306-17		1.37
1-1/8	UCFL 306-18												UC 306-18	FL 306	1.36
1-3/16	UCFL 306-19	7-3/32	5-9/32	45/64	19/32	1-17/64	3-35/64	29/32	1-47/64	1.6929	0.6693	3/4	UC 306-19		1.33
1-1/4	UCFL 306-20												UC 306-20		1.32
35	UCFL 307	185	141	20	16	36	100	23	49	48	19	M20	UC 307	FL 307	1.59
1-1/4	UCFL 307-20												UC 307-20		1.65
1-5/16	UCFL 307-21												UC 307-21	FL 307	1.62
1-3/8	UCFL 307-22	7-9/32	5-35/64	25/32	5/8	1-27/64	3-15/16	29/32	1-59/64	1.8898	0.7480	3/4	UC 307-22		1.61
1-7/16	UCFL 307-23												UC 307-23		1.58
40	UCFL 308	200	158	23	17	40	112	23	56	52	19	M20	UC 308	FL 308	2.11
1-1/2	UCFL 308-24	7-7/8	6-7/32	29/32	43/64	1-37/64	4-13/32	29/32	2-13/64	2.0472	0.7480	3/4	UC 308-24	FL 308	2.15
45	UCFL 309	230	177	25	18	44	125	25	60	57	22	M22	UC 309	FL 309	3.07
1-5/8	UCFL 309-26												UC 309-26		3.15
1-11/16	UCFL 309-27	9-1/16	6-31/32	63/64	45/64	1-47/64	4-59/64	63/64	2-23/64	2.2441	0.8661	7/8	UC 309-27	FL 309	3.12
1-3/4	UCFL 309-28												UC 309-28		3.09
50	UCFL 310	240	187	28	19	48	140	25	67	61	22	M22	UC 310	FL 310	3.83
1-7/8	UCFL 310-30												UC 310-30		3.92
1-15/16	UCFL 310-31	9-29/64	7-23/64	1-7/64	3/4	1-57/64	5-3/64	63/64	2-41/64	2.4016	0.8661	7/8	UC 310-31	FL 310	3.86
2	UCFL 310-32												UC 310-32		3.82
55	UCFL 311	250	198	30	20	52	150	25	71	66	25	M22	UC 311	FL 311	4.66
2	UCFL 311-32												UC 311-32		4.84
2-1/16	UCFL 311-33	9-27/32	7-51/64	1-3/16	25/32	2-1/16	5-29/32	63/64	2-51/64	2.5984	0.9843	7/8	UC 311-33	FL 311	4.70
2-1/8	UCFL 311-34												UC 311-34		4.68
2-3/16	UCFL 311-35												UC 311-35		4.63



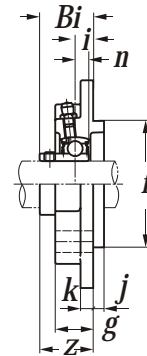
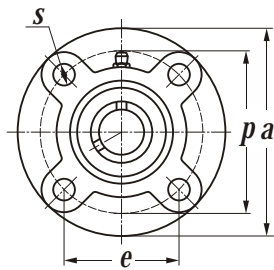
Shaft dia. mm inch	Unit number	Nominal dimensions										Bolt size mm inch	Bearing number	Housing number	Mass of unit Kg
		<i>a</i>	<i>e</i>	<i>i</i>	<i>g</i>	<i>t</i>	<i>b</i>	<i>s</i>	<i>z</i>	<i>Bi</i>	<i>n</i>				
60	UCFL 312	270	212	33	22	56	160	31	78	71	26	M27	UC 312	FL 312	5.59
2-1/4	UCFL 312-36												UC 312-36	FL 312	5.64
2-5/16	UCFL 312-37												UC 312-37	FL 312	5.62
2-3/8	UCFL 312-38	10-5/8	8-11/32	1-19/64	55/64	2-13/64	6-19/64	1-7/32	3-5/64	2.7953	1.0236	1	UC 312-38	FL 312	5.56
2-7/16	UCFL 312-39												UC 312-39		5.49
65	UCFL 313	295	240	33	25	58	175	31	78	75	30	M27	UC 313	FL 313	6.99
2-1/2	UCFL 313-40												UC 313-40	FL 313	7.04
2-9/16	UCFL 313-41	11-39/64	9-29/64	1-19/64	63/64	2-9/32	6-57/64	1-7/32	3-5/64	2.9528	1.1811	1	UC 313-41	FL 313	6.94
70	UCFL 314	315	250	36	28	61	185	35	81	78	33	M30	UC 314	FL 314	8.42
2-5/8	UCFL 314-42												UC 314-42	FL 314	8.45
2-11/16	UCFL 314-43	12-13/32	9-27/32	1-27/64	1-7/64	2-13/32	7-9/32	1-3/8	3-3/16	3.0709	1.2992	1-1/8	UC 314-43	FL 314	8.44
2-3/4	UCFL 314-44												UC 314-44		8.43
75	UCFL 315	320	260	39	30	66	195	35	89	82	32	M30	UC 315	FL 315	9.80
2-13/16	UCFL 315-45												UC 315-45	FL 315	9.89
2-7/8	UCFL 315-46												UC 315-46	FL 315	9.86
2-15/16	UCFL 315-47	12-19/32	10-15/64	1-17/32	1-3/16	2-19/32	7-43/64	1-3/8	3-1/2	3.2283	1.2598	1-1/8	UC 315-47	FL 315	9.83
3	UCFL 315-48												UC 315-48		9.71
80	UCFL 316	355	285	38	32	68	210	38	90	86	34	M33	UC 316	FL 316	13.00
3-1/16	UCFL 316-49												UC 316-49	FL 316	13.06
3-1/8	UCFL 316-50	13-31/64	11-7/64	1-1/2	1-17/64	2-43/64	8-17/64	1-1/2	3-35/64	3.3858	1.3386	1-1/4	UC 316-50	FL 316	13.03

Technical Information


Shaft dia. mm inch	Unit number	Nominal dimensions mm inch							Bolt size mm inch	Bearing number	Housing number	Mass of unit Kg
		<i>a</i>	<i>e</i>	<i>t</i>	<i>s</i>	<i>M</i>	<i>Bi</i>	<i>n</i>				
12 1/2	SBPF 201	81	63.5	2.0	7.1	7.0	22	6.0	M6	SB 201	PF 203	0.23
	SBPF 201-8	3-3/16	2-1/2	5/64	9/32	9/32	0.8661	0.2362	1/4	SB 201-8	PF 203	0.23
15 9/16 5/8	SBPF 202	81	63.5	2.0	7.1	7.0	22	6.0	M6	SB 202	PF 203	0.22
	SBPF 202-9	3-3/16	2-1/2	5/64	9/32	9/32	0.8661	0.2362	1/4	SB 202-9	PF 203	0.22
	SBPF 202-10	3-3/16	2-1/2	5/64	9/32	9/32	0.8661	0.2362	1/4	SB 202-10	PF 203	0.22
17 11/16	SBPF 203	81	63.5	2.0	7.1	7.0	22	6.0	M6	SB 203	PF 203	0.21
	SBPF 203-11	3-3/16	2-1/2	5/64	9/32	9/32	0.8661	0.2362	1/4	SB 203-11	PF 203	0.21
20 3/4	SBPF 204	90	71.5	2.0	9.0	8.0	25	7.0	M8	SB 204	PF 204	0.29
	SBPF 204-12	3-35/64	2-13/16	5/64	23/64	5/16	0.9843	0.2756	5/16	SB 204-12	PF 204	0.31
25 13/16 7/8 15/16 1	SBPF 205	95	76.0	2.0	9.0	9.0	27	7.5	M8	SB 205	PF 205	0.37
	SBPF 205-13	3-47/64	2-63/64	5/64	23/64	23/64	1.0630	0.2953	5/16	SB 205-13	PF 205	0.40
	SBPF 205-14	3-47/64	2-63/64	5/64	23/64	23/64	1.0630	0.2953	5/16	SB 205-14	PF 205	0.39
	SBPF 205-15	3-47/64	2-63/64	5/64	23/64	23/64	1.0630	0.2953	5/16	SB 205-15	PF 205	0.38
	SBPF 205-16	3-47/64	2-63/64	5/64	23/64	23/64	1.0630	0.2953	5/16	SB 205-16	PF 205	0.36
30 1-1/16 1-1/8 1-3/16 1-1/4	SBPF 206	113	90.5	2.6	11.0	9.5	29	8.0	M10	SB 206	PF 206	0.58
	SBPF 206-17	4-29/64	3-9/16	7/64	7/16	3/8	1.1417	0.3150	3/8	SB 206-17	PF 206	0.60
	SBPF 206-18	4-29/64	3-9/16	7/64	7/16	3/8	1.1417	0.3150	3/8	SB 206-18	PF 206	0.59
	SBPF 206-19	4-29/64	3-9/16	7/64	7/16	3/8	1.1417	0.3150	3/8	SB 206-19	PF 206	0.57
	SBPF 206-20	4-29/64	3-9/16	7/64	7/16	3/8	1.1417	0.3150	3/8	SB 206-20	PF 206	0.56
35 1-1/4 1-5/16 1-3/8 1-7/16	SBPF 207	122	100.0	2.6	11.0	11.0	32	8.5	M10	SB 207	PF 207	0.74
	SBPF 207-20	4-51/64	3-15/16	7/64	7/16	7/16	1.2598	0.3543	3/8	SB 207-20	PF 207	0.79
	SBPF 207-21	4-51/64	3-15/16	7/64	7/16	7/16	1.2598	0.3543	3/8	SB 207-21	PF 207	0.78
	SBPF 207-22	4-51/64	3-15/16	7/64	7/16	7/16	1.2598	0.3543	3/8	SB 207-22	PF 207	0.77
	SBPF 207-23	4-51/64	3-15/16	7/64	7/16	7/16	1.2598	0.3543	3/8	SB 207-23	PF 207	0.73



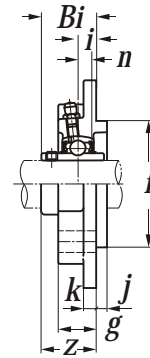
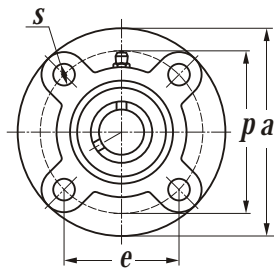
Technical Information



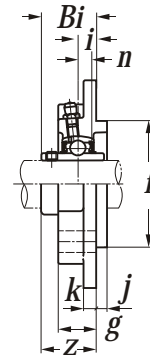
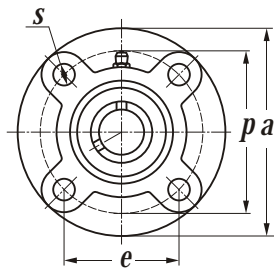
Shaft dia. mm inch	Unit number	Nominal dimensions mm inch												Bolt size mm inch	Bearing number	Housing number	Mass of unit Kg
		a	p	e	i	s	j	k	g	f	z	Bi	n				
20 3/4	SBFC 204	100	78	55.1	10	12	5	6	20.5	62	28.0	25	7.0	M10	SB 204	FC 204	0.65
	SBFC 204-12	3-15/16	3-5/64	2-11/64	25/64	15/32	13/64	15/64	13/16	2-7/16	1-7/64	0.9843	0.2756	3/8	SB 204-12	FC 204	0.67
25 13/16 7/8 15/16 1	SBFC 205	115	90	63.6	10	12	6	7	21.0	70	29.5	27	7.5	M10	SB 205	FC 205	0.95
	SBFC 205-13	4-17/32	3-35/64	2-1/2	25/64	15/32	15/64	9/32	53/64	2-3/4	1-5/32	1.0630	0.2953	3/8	SB 205-13	FC 205	0.98
	SBFC 205-14														0.97		
	SBFC 205-15														0.96		
SBFC 205-16	0.94																
30 1-1/16 1-1/8 1-3/16 1-1/4	SBFC 206	125	100	70.7	10	12	8	8	23.0	80	31.0	29	8.0	M10	SB 206	FC 206	1.19
	SBFC 206-17	4-59/64	3-15/16	2-25/32	25/64	15/32	5/16	5/16	29/32	3-5/32	1-7/32	1.1417	0.3150	3/8	SB 206-17	FC 206	1.21
	SBFC 206-18														1.20		
	SBFC 206-19														1.18		
SBFC 206-20	1.17																
35 1-1/4 1-5/16 1-3/8 1-7/16	SBFC 207	135	110	77.8	11	14	8	9	26.0	90	34.5	32	8.5	M12	SB 207	FC 207	1.55
	SBFC 207-20	5-5/16	4-21/64	3-1/16	7/16	35/64	5/16	23/64	1-1/64	3-35/64	1-23/64	1.2598	0.3543	7/16	SB 207-20	FC 207	1.60
	SBFC 207-21														1.59		
	SBFC 207-22														1.58		
SBFC 207-23	1.54																
40 1-1/2	SBFC 208	145	120	84.8	11	14	10	9	26.0	100	35.5	34	9.5	M12	SB 208	FC 208	1.87
	SBFC 208-24	5-45/64	4-23/32	3-11/32	7/16	35/64	25/64	23/64	1-1/64	3-15/16	1-25/64	1.3386	0.3740	7/16	SB 208-24	FC 208	1.91



Technical Information

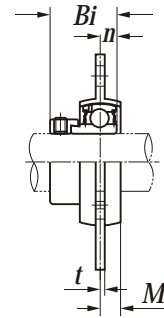
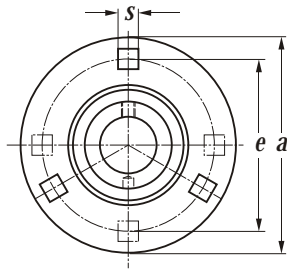


Shaft dia. mm inch	Unit number	Nominal dimensions												Bolt size mm inch	Bearing number	Housing number	Mass of unit Kg
		mm		inch		<i>a</i>	<i>p</i>	<i>e</i>	<i>i</i>	<i>s</i>	<i>j</i>	<i>k</i>	<i>g</i>				
12 1/2	UCFC 201	100	78	55.1	10	12	5	6	20.5	62	28.3	31.0	12.7	M10	UC 201	FC 204	0.73
	UCFC 201-8	3-15/16	3-5/64	2-11/64	25/64	15/32	13/64	15/64	13/16	2-7/16	1-7/64	1.2205	0.5000	3/8	UC 201-8	FC 204	0.73
15 9/16 5/8	UCFC 202	100	78	55.1	10	12	5	6	20.5	62	28.3	31.0	12.7	M10	UC 202	FC 204	0.72
	UCFC 202-9	3-15/16	3-5/64	2-11/64	25/64	15/32	13/64	15/64	13/16	2-7/16	1-7/64	1.2205	0.5000	3/8	UC 202-9	FC 204	0.72
	UCFC 202-10	3-15/16	3-5/64	2-11/64	25/64	15/32	13/64	15/64	13/16	2-7/16	1-7/64	1.2205	0.5000	3/8	UC 202-10	FC 204	0.72
17 11/16	UCFC 203	100	78	55.1	10	12	5	6	20.5	62	28.3	31.0	12.7	M10	UC 203	FC 204	0.71
	UCFC 203-11	3-15/16	3-5/64	2-11/64	25/64	15/32	13/64	15/64	13/16	2-7/16	1-7/64	1.2205	0.5000	3/8	UC 203-11	FC 204	0.71
20 3/4	UCFC 204	100	78	55.1	10	12	5	6	20.5	62	28.3	31.0	12.7	M10	UC 204	FC 204	0.69
	UCFC 204-12	3-15/16	3-5/64	2-11/64	25/64	15/32	13/64	15/64	13/16	2-7/16	1-7/64	1.2205	0.5000	3/8	UC 204-12	FC 204	0.70
25 13/16 7/8 15/16 1	UCFC 205	115	90	63.6	10	12	6	7	21.0	70	29.7	34.0	14.3	M10	UC 205	FC 205	0.99
	UCFC 205-13	4-17/32	3-35/64	2-1/2	25/64	15/32	15/64	9/32	53/64	2-3/4	1-11/64	1.3386	0.5630	3/8	UC 205-13	FC 205	1.03
	UCFC 205-14	4-17/32	3-35/64	2-1/2	25/64	15/32	15/64	9/32	53/64	2-3/4	1-11/64	1.3386	0.5630	3/8	UC 205-14	FC 205	1.01
	UCFC 205-15	4-17/32	3-35/64	2-1/2	25/64	15/32	15/64	9/32	53/64	2-3/4	1-11/64	1.3386	0.5630	3/8	UC 205-15	FC 205	1.00
30 1-1/16 1-1/8 1-3/16 1-1/4	UCFC 206	125	100	70.7	10	12	8	8	23.0	80	32.2	38.1	15.9	M10	UC 206	FC 206	1.25
	UCFC 206-17	4-59/64	3-15/16	2-25/32	25/64	15/32	5/16	5/16	29/32	3-5/32	1-17/64	1.5000	0.6260	3/8	UC 206-17	FC 206	1.29
	UCFC 206-18	4-59/64	3-15/16	2-25/32	25/64	15/32	5/16	5/16	29/32	3-5/32	1-17/64	1.5000	0.6260	3/8	UC 206-18	FC 206	1.27
	UCFC 206-19	4-59/64	3-15/16	2-25/32	25/64	15/32	5/16	5/16	29/32	3-5/32	1-17/64	1.5000	0.6260	3/8	UC 206-19	FC 206	1.24
35 1-1/4 1-5/16 1-3/8 1-7/16	UCFC 207	135	110	77.8	11	14	8	9	26.0	90	36.4	42.9	17.5	M12	UC 207	FC 207	1.64
	UCFC 207-20	5-5/16	4-21/64	3-1/16	7/16	35/64	5/16	23/64	1-1/64	3-35/64	1-7/16	1.6890	0.6890	7/16	UC 207-20	FC 207	1.70
	UCFC 207-21	5-5/16	4-21/64	3-1/16	7/16	35/64	5/16	23/64	1-1/64	3-35/64	1-7/16	1.6890	0.6890	7/16	UC 207-21	FC 207	1.68
	UCFC 207-22	5-5/16	4-21/64	3-1/16	7/16	35/64	5/16	23/64	1-1/64	3-35/64	1-7/16	1.6890	0.6890	7/16	UC 207-22	FC 207	1.65
40 1-1/2	UCFC 208	145	120	84.8	11	14	10	9	26.0	100	41.2	49.2	19.0	M12	UC 208	FC 208	2.01
	UCFC 208-24	5-45/64	4-23/32	3-11/32	7/16	35/64	25/64	23/64	1-1/64	3-15/16	1-5/8	1.9370	0.7480	7/16	UC 208-24	FC 208	2.05
45 1-5/8 1-11/16 1-3/4	UCFC 209	160	132	93.3	10	16	12	10	26.0	105	40.2	49.2	19.0	M14	UC 209	FC 209	2.57
	UCFC 209-26	6-19/64	5-13/64	3-43/64	25/64	5/8	15/32	25/64	1-1/64	4-9/64	1-37/64	1.9370	0.7480	1/2	UC 209-26	FC 209	2.67
	UCFC 209-27	6-19/64	5-13/64	3-43/64	25/64	5/8	15/32	25/64	1-1/64	4-9/64	1-37/64	1.9370	0.7480	1/2	UC 209-27	FC 209	2.63
50 1-7/8 1-15/16 2	UCFC 210	165	138	97.6	10	16	12	14	28.0	110	42.6	51.6	19.0	M14	UC 210	FC 210	2.85
	UCFC 210-30	6-1/2	5-7/16	3-27/32	25/64	5/8	15/32	35/64	1-7/64	4-21/64	1-43/64	2.0315	0.7480	1/2	UC 210-30	FC 210	2.92
	UCFC 210-31	6-1/2	5-7/16	3-27/32	25/64	5/8	15/32	35/64	1-7/64	4-21/64	1-43/64	2.0315	0.7480	1/2	UC 210-31	FC 210	2.87
	UCFC 210-32	6-1/2	5-7/16	3-27/32	25/64	5/8	15/32	35/64	1-7/64	4-21/64	1-43/64	2.0315	0.7480	1/2	UC 210-32	FC 210	2.83



Shaft dia. mm inch	Unit number	Nominal dimensions mm inch												Bolt size mm inch	Bearing number	Housing number	Mass of unit Kg
		a	p	e	i	s	j	k	g	f	z	Bi	n				
55	UCFC 211	185	150	106.1	13	19	12	13	30.0	125	46.4	55.6	22.2	M16	UC 211	FC 211	3.92
2	UCFC 211-32																4.07
2-1/16	UCFC 211-33	7-9/32	5-29/32	4-11/64	3/64	3/4	15/32	3/64	1-3/16	4-59/64	1-53/64	2.1890	0.8740	5/8	UC 211-32	FC 211	4.02
2-1/8	UCFC 211-34																3.97
2-3/16	UCFC 211-35																3.90
60	UCFC 212	195	160	113.1	17	19	12	15	36.0	135	56.7	65.1	25.4	M16	UC 212	FC 212	5.03
2-1/4	UCFC 212-36																5.17
2-5/16	UCFC 212-37	7-43/64	6-19/64	4-29/64	43/64	3/4	15/32	19/32	1-27/64	5-5/16	2-15/64	2.5630	1.0000	5/8	UC 212-36	FC 212	5.10
2-3/8	UCFC 212-38																5.01
2-7/16	UCFC 212-39																4.95
65	UCFC 213	205	170	120.2	16	19	14	15	35.0	145	55.7	65.1	25.4	M16	UC 213	FC 213	5.52
2-1/2	UCFC 213-40	8-5/64	6-11/16	4-47/64	5/8	3/4	35/64	19/32	1-3/8	5-45/64	2-3/16	2.5630	1.0000	5/8	UC 213-40	FC 213	5.60
2-9/16	UCFC 213-41																5.44
70	UCFC 214	215	177	125.1	17	19	14	16	38.0	150	61.4	74.6	30.2	M16	UC 214	FC 214	6.55
2-5/8	UCFC 214-42																6.58
2-11/16	UCFC 214-43	8-15/32	6-31/32	4-59/64	43/64	3/4	35/64	5/8	1-1/2	5-29/32	2-27/64	2.9370	1.1890	5/8	UC 214-42	FC 214	6.57
2-3/4	UCFC 214-44																6.56
75	UCFC 215	220	184	130.1	18	19	16	17	39.0	160	62.5	77.8	33.3	M16	UC 215	FC 215	7.01
2-13/16	UCFC 215-45																7.10
2-7/8	UCFC 215-46	8-21/32	7-1/4	5-1/8	45/64	3/4	5/8	43/64	1-17/32	6-19/64	2-29/64	3.0630	1.3110	5/8	UC 215-45	FC 215	7.06
2-15/16	UCFC 215-47																7.04
3	UCFC 215-48																6.93
80	UCFC 216	240	200	141.4	18	23	16	18	42.0	170	67.3	82.6	33.3	M20	UC 216	FC 216	8.94
3-1/16	UCFC 216-49																9.03
3-1/8	UCFC 216-50	9-29/64	7-7/8	5-9/16	45/64	29/32	5/8	45/64	1-21/32	6-11/16	2-21/32	3.2520	1.3110	3/4	UC 216-49	FC 216	8.99
3-3/16	UCFC 216-51																8.86
85	UCFC 217	250	208	147.1	18	23	18	20	45.0	180	69.6	85.7	34.1	M20	UC 217	FC 217	10.68
3-1/4	UCFC 217-52																10.90
3-5/16	UCFC 217-53	9-27/32	8-3/16	5-51/64	45/64	29/32	45/64	25/32	1-49/64	7-3/32	2-47/64	3.3740	1.3425	3/4	UC 217-52	FC 217	10.76
3-7/16	UCFC 217-55																10.51
90	UCFC 218	265	220	155.5	22	23	18	20	50.0	190	78.3	96.0	39.7	M20	UC 218	FC 218	12.95
3-1/2	UCFC 218-56	10-7/16	8-21/32	6-1/8	55/64	29/32	45/64	25/32	1-31/32	7-31/64	3-5/64	3.7800	1.5630	3/4	UC 218-56	FC 218	13.06

Technical Information

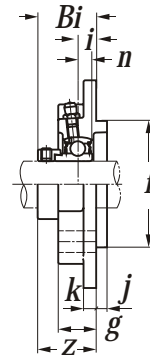
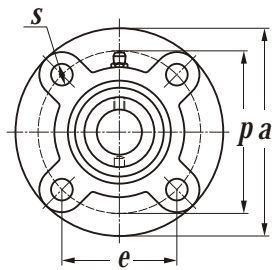


Shaft dia. mm inch	Unit number	Nominal dimensions mm inch							Bolt size mm inch	Bearing number	Housing number	Mass of unit Kg
		<i>a</i>	<i>e</i>	<i>t</i>	<i>s</i>	<i>M</i>	<i>Bi</i>	<i>n</i>				
12 1/2	SAPF 201	81	63.5	2.0	7.1	7.0	28.5	6.0	M6	SA 201	PF 203	0.27
	SAPF 201-8	3-3/16	2-1/2	5/64	9/32	9/32	1.1220	0.2362	1/4	SA 201-8	PF 203	0.27
15 9/16 5/8	SAPF 202	81	63.5	2.0	7.1	7.0	28.5	6.0	M6	SA 202	PF 203	0.26
	SAPF 202-9	3-3/16	2-1/2	5/64	9/32	9/32	1.1220	0.2362	1/4	SA 202-9	PF 203	0.26
	SAPF 202-10									SA 202-10		0.26
17 11/16	SAPF 203	81	63.5	2.0	7.1	7.0	28.5	6.0	M6	SA 203	PF 203	0.25
	SAPF 203-11	3-3/16	2-1/2	5/64	9/32	9/32	1.1220	0.2362	1/4	SA 203-11	PF 203	0.25
20 3/4	SAPF 204	90	71.5	2.0	9.0	8.0	29.5	7.0	M8	SA 204	PF 204	0.34
	SAPF 204-12	3-35/64	2-13/16	5/64	23/64	5/16	1.1614	0.2756	5/16	SA 204-12	PF 204	0.35
25 13/16 7/8 15/16 1	SAPF 205	95	76.0	2.0	9.0	9.0	30.5	7.5	M8	SA 205	PF 205	0.40
	SAPF 205-13	3-47/64	2-63/64	5/64	23/64	23/64	1.2008	0.2953	5/16	SA 205-13	PF 205	0.43
	SAPF 205-14									SA 205-14		0.42
	SAPF 205-15									SA 205-15		0.41
	SAPF 205-16									SA 205-16		0.38
30 1-1/16 1-1/8 1-3/16 1-1/4	SAPF 206	113	90.5	2.6	11.0	9.5	33.9	8.0	M10	SA 206	PF 206	0.65
	SAPF 206-17	4-29/64	3-9/16	7/64	7/16	3/8	1.3346	0.3150	3/8	SA 206-17	PF 206	0.69
	SAPF 206-18									SA 206-18		0.67
	SAPF 206-19									SA 206-19		0.63
	SAPF 206-20									SA 206-20		0.60
35 1-1/4 1-5/16 1-3/8 1-7/16	SAPF 207	122	100.0	2.6	11.0	11.0	37.5	8.5	M10	SA 207	PF 207	0.86
	SAPF 207-20	4-51/64	3-15/16	7/64	7/16	7/16	1.4764	0.3543	3/8	SA 207-20	PF 207	0.92
	SAPF 207-21									SA 207-21		0.89
	SAPF 207-22									SA 207-22		0.87
	SAPF 207-23									SA 207-23		0.84



Technical Information

STANDARD DUTY FLANGED CARTRIDGE UNITS CAST HOUSING ECCENTRIC LOCKING COLLAR TYPE

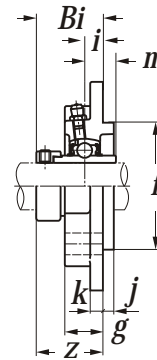
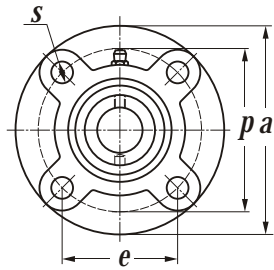


Shaft dia. mm inch	Unit number	Nominal dimensions mm inch												Bolt size mm inch	Bearing number	Housing number	Mass of unit Kg
		a	p	e	i	s	j	k	g	f	z	Bi	n				
20 3/4	SAFC 204	100	78	55.1	10	12	5	6	20.5	62	32.5	29.5	7.0	M10	SA 204	FC 204	0.70
	SAFC 204-12	3-15/16	3-5/64	2-11/64	25/64	15/32	13/64	15/64	13/16	2-7/16	1-9/32	1.1614	0.2756	3/8	SA 204-12	FC 204	0.71
25 13/16 7/8 15/16 1	SAFC 205	115	90	63.6	10	12	6	7	21.0	70	33.0	30.5	7.5	M10	SA 205	FC 205	0.98
	SAFC 205-13	4-17/32	3-35/64	2-1/2	25/64	15/32	15/64	9/32	53/64	2-3/4	1-19/64	1.2008	0.2953	3/8	SA 205-13	FC 205	1.01
	SAFC 205-14														1.00		
	SAFC 205-15														0.99		
SAFC 205-16	0.96																
30 1-1/16 1-1/8 1-3/16 1-1/4	SAFC 206	125	100	70.7	10	12	8	8	23.0	80	35.9	33.9	8.0	M10	SA 206	FC 206	1.26
	SAFC 206-17	4-59/64	3-15/16	2-25/32	25/64	15/32	5/16	5/16	29/32	3-5/32	1-13/32	1.3346	0.3150	3/8	SA 206-17	FC 206	1.30
	SAFC 206-18														1.28		
	SAFC 206-19														1.24		
SAFC 206-20	1.21																
35 1-1/4 1-5/16 1-3/8 1-7/16	SAFC 207	135	110	77.8	11	14	8	9	26.0	90	40.0	37.5	8.5	M12	SA 207	FC 207	1.67
	SAFC 207-20	5-5/16	4-21/64	3-1/16	7/16	35/64	5/16	23/64	1-1/64	3-35/64	1-37/64	1.4764	0.3543	7/16	SA 207-20	FC 207	1.73
	SAFC 207-21														1.70		
	SAFC 207-22														1.68		
SAFC 207-23	1.65																
40 1-1/2	SAFC 208	145	120	84.8	11	14	10	9	26.0	100	42.0	40.5	9.5	M12	SA 208	FC 208	2.02
	SAFC 208-24	5-45/64	4-23/32	3-11/32	7/16	35/64	25/64	23/64	1-1/64	3-15/16	1-21/32	1.5945	0.3740	7/16	SA 208-24	FC 208	2.05
45 1-5/8 1-11/16 1-3/4	SAFC 209	160	132	93.3	10	16	12	10	26.0	105	42.2	42.2	10.0	M14	SA 209	FC 209	2.58
	SAFC 209-26	6-19/64	5-13/64	3-43/64	25/64	5/8	15/32	25/64	1-1/64	4-9/64	1-21/32	1.6614	0.3937	7/2	SA 209-26	FC 209	2.71
	SAFC 209-27														2.65		
SAFC 209-28	2.62																
50 1-7/8 1-15/16 2	SAFC 210	165	138	97.6	10	16	12	14	28.0	110	43.2	43.7	10.5	M14	SA 210	FC 210	2.85
	SAFC 210-30	6-1/2	5-7/16	3-27/32	25/64	5/8	15/32	35/64	1-7/64	4-21/64	1-45/64	1.7205	0.4134	1/2	SA 210-30	FC 210	2.90
	SAFC 210-31														2.88		
SAFC 210-32	2.82																
55 2 2-1/16 2-1/8 2-3/16	SAFC 211	185	150	106.1	13	19	12	13	30.0	125	49.9	48.4	11.5	M16	SA 211	FC 211	3.67
	SAFC 211-32	7-9/32	5-29/32	4-11/64	3/64	3/4	15/32	3/64	1-3/16	4-59/64	1-31/32	1.9055	0.4528	5/8	SA 211-32	FC 211	3.98
	SAFC 211-33														3.93		
	SAFC 211-34														3.76		
	SAFC 211-35														3.61		



Technical Information

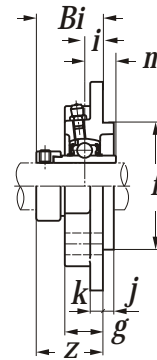
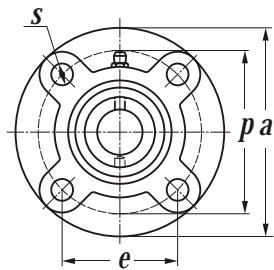
STANDARD DUTY FLANGED CARTRIDGE UNITS CAST HOUSING ECCENTRIC LOCKING COLLAR TYPE



Shaft dia. mm inch	Unit number	Nominal dimensions mm inch												Bolt size mm inch	Bearing number	Housing number	Mass of unit Kg
		a	p	e	i	s	j	k	g	f	z	Bi	n				
12 1/2	UELFC 201	100	78	55.1	10	12	5	6	20.5	62	36.5	43.5	17.0	M10	UEL 201	FC 204	0.79
	UELFC 201-8	3-15/16	3-5/64	2-11/64	25/64	15/32	13/64	15/64	13/16	2-7/16	1-7/16	1.7126	0.6693	3/8	UEL 201-8	FC 204	0.79
15 9/16 5/8	UELFC 202	100	78	55.1	10	12	5	6	20.5	62	36.5	43.5	17.0	M10	UEL 202	FC 204	0.77
	UELFC 202-9	3-15/16	3-5/64	2-11/64	25/64	15/32	13/64	15/64	13/16	2-7/16	1-7/16	1.7126	0.6693	3/8	UEL 202-9	FC 204	0.77
	UELFC 202-10	3-15/16	3-5/64	2-11/64	25/64	15/32	13/64	15/64	13/16	2-7/16	1-7/16	1.7126	0.6693	3/8	UEL 202-10	FC 204	0.77
17 11/16	UELFC 203	100	78	55.1	10	12	5	6	20.5	62	36.5	43.5	17.0	M10	UEL 203	FC 204	0.76
	UELFC 203-11	3-15/16	3-5/64	2-11/64	25/64	15/32	13/64	15/64	13/16	2-7/16	1-7/16	1.7126	0.6693	3/8	UEL 203-11	FC 204	0.76
20 3/4	UELFC 204	100	78	55.1	10	12	5	6	20.5	62	36.5	43.5	17.0	M10	UEL 204	FC 204	0.74
	UELFC 204-12	3-15/16	3-5/64	2-11/64	25/64	15/32	13/64	15/64	13/16	2-7/16	1-7/16	1.7126	0.6693	3/8	UEL 204-12	FC 204	0.75
25 13/16 7/8 15/16 1	UELFC 205	115	90	63.6	10	12	6	7	21.0	70	36.9	44.3	17.4	M10	UEL 205	FC 205	1.03
	UELFC 205-13	4-17/32	3-35/64	2-1/2	25/64	15/32	15/64	9/32	53/64	2-3/4	1-29/64	1.7441	0.6850	3/8	UEL 205-13	FC 205	1.09
	UELFC 205-14	4-17/32	3-35/64	2-1/2	25/64	15/32	15/64	9/32	53/64	2-3/4	1-29/64	1.7441	0.6850	3/8	UEL 205-14	FC 205	1.07
	UELFC 205-15	4-17/32	3-35/64	2-1/2	25/64	15/32	15/64	9/32	53/64	2-3/4	1-29/64	1.7441	0.6850	3/8	UEL 205-15	FC 205	1.05
30 1-1/16 1-1/8 1-3/16 1-1/4	UELFC 206	125	100	70.7	10	12	8	8	23.0	80	40.1	48.3	18.2	M10	UEL 206	FC 206	1.34
	UELFC 206-17	4-59/64	3-15/16	2-25/32	25/64	15/32	5/16	5/16	29/32	3-5/32	1-37/64	1.9016	0.7165	3/8	UEL 206-17	FC 206	1.39
	UELFC 206-18	4-59/64	3-15/16	2-25/32	25/64	15/32	5/16	5/16	29/32	3-5/32	1-37/64	1.9016	0.7165	3/8	UEL 206-18	FC 206	1.36
	UELFC 206-19	4-59/64	3-15/16	2-25/32	25/64	15/32	5/16	5/16	29/32	3-5/32	1-37/64	1.9016	0.7165	3/8	UEL 206-19	FC 206	1.33
35 1-1/4 1-5/16 1-3/8 1-7/16	UELFC 207	135	110	77.8	11	14	8	9	26.0	90	43.3	51.1	18.8	M12	UEL 207	FC 207	1.77
	UELFC 207-20	5-5/16	4-21/64	3-1/16	7/16	35/64	5/16	23/64	1-1/64	3-35/64	1-45/64	2.0118	0.7402	7/16	UEL 207-20	FC 207	1.85
	UELFC 207-21	5-5/16	4-21/64	3-1/16	7/16	35/64	5/16	23/64	1-1/64	3-35/64	1-45/64	2.0118	0.7402	7/16	UEL 207-21	FC 207	1.82
	UELFC 207-22	5-5/16	4-21/64	3-1/16	7/16	35/64	5/16	23/64	1-1/64	3-35/64	1-45/64	2.0118	0.7402	7/16	UEL 207-22	FC 207	1.78
40 1-1/2	UELFC 208	145	120	84.8	11	14	10	9	26.0	100	45.9	56.3	21.4	M12	UEL 208	FC 208	2.15
	UELFC 208-24	5-45/64	4-23/32	3-11/32	7/16	35/64	25/64	23/64	1-1/64	3-15/16	1-13/16	2.2165	0.8425	7/16	UEL 208-24	FC 208	2.20
45 1-5/8 1-11/16 1-3/4	UELFC 209	160	132	93.3	10	16	12	10	26.0	105	44.9	56.3	21.4	M14	UEL 209	FC 209	2.74
	UELFC 209-26	6-19/64	5-13/64	3-43/64	25/64	5/8	15/32	25/64	1-1/64	4-9/64	1-49/64	2.2165	0.8425	1/2	UEL 209-26	FC 209	2.85
	UELFC 209-27	6-19/64	5-13/64	3-43/64	25/64	5/8	15/32	25/64	1-1/64	4-9/64	1-49/64	2.2165	0.8425	1/2	UEL 209-27	FC 209	2.80
50 1-7/8 1-15/16 2	UELFC 210	165	138	97.6	10	16	12	14	28.0	110	48.1	62.7	24.6	M14	UEL 210	FC 210	3.06
	UELFC 210-30	6-1/2	5-7/16	3-27/32	25/64	5/8	15/32	35/64	1-7/64	4-21/64	1-57/64	2.4685	0.9685	1/2	UEL 210-30	FC 210	3.15
	UELFC 210-31	6-1/2	5-7/16	3-27/32	25/64	5/8	15/32	35/64	1-7/64	4-21/64	1-57/64	2.4685	0.9685	1/2	UEL 210-31	FC 210	3.09
	UELFC 210-32	6-1/2	5-7/16	3-27/32	25/64	5/8	15/32	35/64	1-7/64	4-21/64	1-57/64	2.4685	0.9685	1/2	UEL 210-32	FC 210	3.03



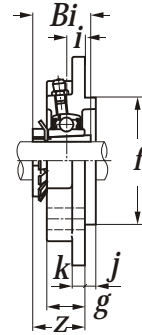
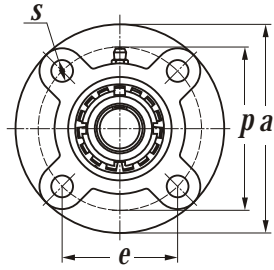
STANDARD DUTY FLANGED CARTRIDGE UNITS CAST HOUSING
ECCENTRIC LOCKING COLLAR TYPE



Shaft dia. mm inch	Unit number	Nominal dimensions mm inch												Bolt size mm inch	Bearing number	Housing number	Mass of unit Kg
		a	p	e	i	s	j	k	g	f	z	Bi	n				
55	UELFC 211	185	150	106.1	13	19	12	13	30.0	125	56.6	71.3	27.7	M16	UEL 211	FC 211	4.19
2	UELFC 211-32														UEL 211-32		4.38
2-1/16	UELFC 211-33	7-9/32	5-29/32	4-11/64	3/64	3/4	15/32	3/64	1-3/16	4-59/64	2-15/64	2.8071	1.0906	5/8	UEL 211-33	FC 211	4.32
2-1/8	UELFC 211-34														UEL 211-34		4.24
2-3/16	UELFC 211-35														UEL 211-35		4.16
60	UELFC 212	195	160	113.1	17	19	12	15	36.0	135	63.8	77.7	30.9	M16	UEL 212	FC 212	5.37
2-1/4	UELFC 212-36														UEL 212-36		5.53
2-5/16	UELFC 212-37	7-43/64	6-19/64	4-29/64	43/64	3/4	15/32	19/32	1-27/64	5-5/16	2-3/64	3.0591	1.2165	5/8	UEL 212-37	FC 212	5.44
2-3/8	UELFC 212-38														UEL 212-38		5.35
2-7/16	UELFC 212-39														UEL 212-39		5.26
65	UELFC 213	205	170	120.2	16	19	14	15	35.0	145	67.6	85.7	34.1	M16	UEL 213	FC 213	6.07
2-1/2	UELFC 213-40														UEL 213-40		6.17
2-9/16	UELFC 213-41	8-5/64	6-11/16	4-47/64	5/8	3/4	35/64	19/32	1-3/8	5-45/64	2-21/32	3.3740	1.3425	5/8	UEL 213-41	FC 213	6.06
70	UELFC 214	215	177	125.1	17	19	14	16	38.0	150	68.6	85.7	34.1	M16	UEL 214	FC 214	7.07
2-5/8	UELFC 214-42														UEL 214-42		7.31
2-11/16	UELFC 214-43	8-15/32	6-31/32	4-59/64	43/64	3/4	35/64	5/8	1-1/2	5-29/32	2-45/64	3.3740	1.3425	5/8	UEL 214-43	FC 214	7.20
2-3/4	UELFC 214-44														UEL 214-44		7.08
75	UELFC 215	220	184	130.1	18	19	16	17	39.0	160	72.8	92.1	37.3	M16	UEL 215	FC 215	7.64
2-13/16	UELFC 215-45														UEL 215-45		7.93
2-7/8	UELFC 215-46	8-21/32	7-1/4	5-1/8	45/64	3/4	5/8	43/64	1-17/32	6-19/64	2-55/64	3.6260	1.4685	5/8	UEL 215-46	FC 215	7.80
2-15/16	UELFC 215-47														UEL 215-47		7.67
3	UELFC 215-48														UEL 215-48		7.54



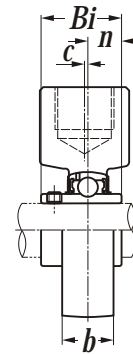
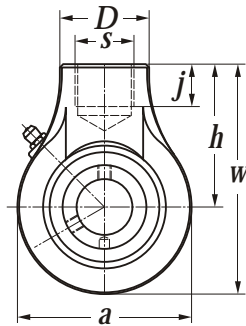
Technical Information



Shaft dia. mm	Unit number	Nominal dimensions mm											Bolt size mm	Bearing number	Housing number	Mass of unit Kg
		<i>a</i>	<i>p</i>	<i>e</i>	<i>i</i>	<i>s</i>	<i>j</i>	<i>k</i>	<i>g</i>	<i>f</i>	<i>z</i>	<i>Bi</i>				
20	UKFC 205	115	90	63.6	10	12	6	7	21.0	70	29.5	35	M10	UK 205	FC 205	0.93
25	UKFC 206	125	100	70.7	10	12	8	8	23.0	80	31.0	38	M10	UK 206	FC 206	1.18
30	UKFC 207	135	110	77.8	11	14	8	9	26.0	90	34.5	43	M12	UK 207	FC 207	1.54
35	UKFC 208	145	120	84.8	11	14	10	9	26.0	100	36.5	46	M12	UK 208	FC 208	1.85
40	UKFC 209	160	132	93.3	10	16	12	10	26.0	105	36.5	50	M14	UK 209	FC 209	2.42
45	UKFC 210	165	138	97.6	10	16	12	14	28.0	110	38.0	55	M14	UK 210	FC 210	2.64
50	UKFC 211	185	150	106.1	13	19	12	13	30.0	125	42.5	59	M16	UK 211	FC 211	3.57
55	UKFC 212	195	160	113.1	17	19	12	15	36.0	135	49.0	62	M16	UK 212	FC 212	4.53
60	UKFC 213	205	170	120.2	16	19	14	15	35.0	145	50.0	65	M16	UK 213	FC 213	5.02



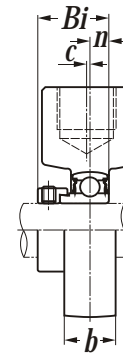
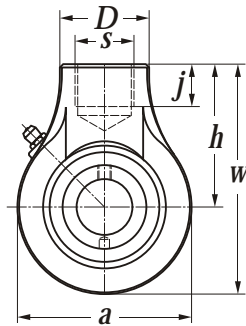
Technical Information



Shaft dia. mm inch	Unit number	Nominal dimensions										Bearing number	Housing number	Mass of unit Kg
		mm		inch										
		a	w	c	b	h	s	D	j	Bi	n			
12 1/2	UCHA 201	64	96.0	0	22	64	RP 3/4	40	19	31.0	12.7	UC 201	HA 204	0.66
	UCHA 201-8	2-3/64	3-25/32	0	55/64	2-3/64	RP 3/4	1-37/64	3/4	1.2205	0.5000	UC 201-8	HA 204	0.66
15 9/16 5/8	UCHA 202	64	96.0	0	22	64	RP 3/4	40	19	31.0	12.7	UC 202	HA 204	0.65
	UCHA 202-9	2-3/64	3-25/32	0	55/64	2-3/64	RP 3/4	1-37/64	3/4	1.2205	0.5000	UC 202-9	HA 204	0.65
	UCHA 202-10	2-3/64	3-25/32	0	55/64	2-3/64	RP 3/4	1-37/64	3/4	1.2205	0.5000	UC 202-10	HA 204	0.65
17 11/16	UCHA 203	64	96.0	0	22	64	RP 3/4	40	19	31.0	12.7	UC 203	HA 204	0.64
	UCHA 203-11	2-3/64	3-25/32	0	55/64	2-3/64	RP 3/4	1-37/64	3/4	1.2205	0.5000	UC 203-11	HA 204	0.64
20 3/4	UCHA 204	64	96.0	0	22	64	RP 3/4	40	19	31.0	12.7	UC 204	HA 204	0.62
	UCHA 204-12	2-3/64	3-25/32	0	55/64	2-3/64	RP 3/4	1-37/64	3/4	1.2205	0.5000	UC 204-12	HA 204	0.63
25 13/16 7/8 15/16 1	UCHA 205	78	103.0	0	23	64	RP 3/4	40	19	34.0	14.3	UC 205	HA 205	0.83
	UCHA 205-13	3-5/64	4-1/16	0	29/32	2-3/64	RP 3/4	1-37/64	3/4	1.3386	0.5630	UC 205-13	HA 205	0.87
	UCHA 205-14	3-5/64	4-1/16	0	29/32	2-3/64	RP 3/4	1-37/64	3/4	1.3386	0.5630	UC 205-14	HA 205	0.85
	UCHA 205-15	3-5/64	4-1/16	0	29/32	2-3/64	RP 3/4	1-37/64	3/4	1.3386	0.5630	UC 205-15	HA 205	0.84
30 1-1/16 1-1/8 1-3/16 1-1/4	UCHA 206	78	103.0	0	25	64	RP 3/4	40	19	38.1	15.9	UC 206	HA 206	0.78
	UCHA 206-17	3-5/64	4-1/16	0	63/64	2-3/64	RP 3/4	1-37/64	3/4	1.5000	0.6260	UC 206-17	HA 206	0.82
	UCHA 206-18	3-5/64	4-1/16	0	63/64	2-3/64	RP 3/4	1-37/64	3/4	1.5000	0.6260	UC 206-18	HA 206	0.80
	UCHA 206-19	3-5/64	4-1/16	0	63/64	2-3/64	RP 3/4	1-37/64	3/4	1.5000	0.6260	UC 206-19	HA 206	0.77
35 1-1/4 1-5/16 1-3/8 1-7/16	UCHA 207	92	116.0	0	26	70	RP 3/4	40	19	42.9	17.5	UC 207	HA 207	1.11
	UCHA 207-20	3-5/8	4-9/16	0	1-1/64	2-3/4	RP 3/4	1-37/64	3/4	1.6890	0.6890	UC 207-20	HA 207	1.17
	UCHA 207-21	3-5/8	4-9/16	0	1-1/64	2-3/4	RP 3/4	1-37/64	3/4	1.6890	0.6890	UC 207-21	HA 207	1.15
	UCHA 207-22	3-5/8	4-9/16	0	1-1/64	2-3/4	RP 3/4	1-37/64	3/4	1.6890	0.6890	UC 207-22	HA 207	1.12
40 1-1/2	UCHA 208	96	121.0	2.0	30	73	RP 3/4	40	19	49.2	19.0	UC 208	HA 208	1.25
	UCHA 208-24	3-25/32	4-49/64	5/64	1-3/16	2-7/8	RP 3/4	1-37/64	3/4	1.9370	0.7480	UC 208-24	HA 208	1.29
45 1-5/8 1-11/16 1-3/4	UCHA 209	108	136.0	5.0	30	82	RP 1	48	21	49.2	19.0	UC 209	HA 209	1.65
	UCHA 209-26	4-1/4	5-23/64	13/64	1-3/16	3-15/64	RP 1	1-57/64	53/64	1.9370	0.7480	UC 209-26	HA 209	1.75
	UCHA 209-27	4-1/4	5-23/64	13/64	1-3/16	3-15/64	RP 1	1-57/64	53/64	1.9370	0.7480	UC 209-27	HA 209	1.71
50 1-7/8 1-15/16 2	UCHA 210	115	140.5	5.0	32	83	RP 1	48	21	51.6	19.0	UC 210	HA 210	1.95
	UCHA 210-30	4-17/32	5-17/32	13/64	1-17/64	3-17/64	RP 1	1-57/64	53/64	2.0315	0.7480	UC 210-30	HA 210	2.02
	UCHA 210-31	4-17/32	5-17/32	13/64	1-17/64	3-17/64	RP 1	1-57/64	53/64	2.0315	0.7480	UC 210-31	HA 210	1.97
	UCHA 210-32	4-17/32	5-17/32	13/64	1-17/64	3-17/64	RP 1	1-57/64	53/64	2.0315	0.7480	UC 210-32	HA 210	1.93

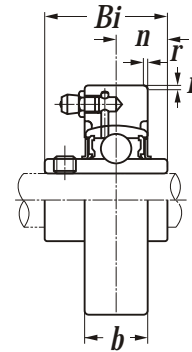
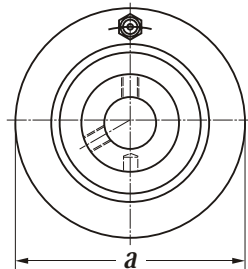


Technical Information

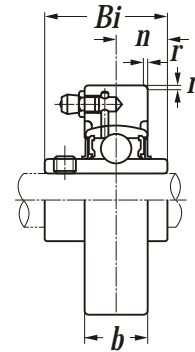
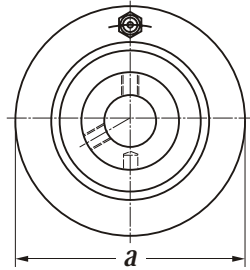


Shaft dia. mm inch	Unit number	Nominal dimensions mm inch										Bearing number	Housing number	Mass of unit Kg
		a	w	c	b	h	s	D	j	Bi	n			
20 3/4	SAHA 204	64	96.0	0	22	64	RP 3/4	40	19	29.5	7.0	SA 204	HA 204	0.63
	SAHA 204-12	2-3/64	3-25/32	0	55/64	2-3/64	RP 3/4	1-37/64	3/4	1.1614	0.2756	SA 204-12	HA 204	0.64
25 13/16 7/8 15/16 1	SAHA 205	78	103.0	0	23	64	RP 3/4	40	19	30.5	7.5	SA 205	HA 205	0.82
	SAHA 205-13											SA 205-13		0.85
	SAHA 205-14											SA 205-14	HA 205	0.84
	SAHA 205-15	3-5/64	4-1/16	0	29/32	2-3/64	RP 3/4	1-37/64	3/4	1.2008	0.2953	SA 205-15		0.83
	SAHA 205-16											SA 205-16		0.8
30 1-1/16 1-1/8 1-3/16 1-1/4	SAHA 206	78	103.0	0	25	64	RP 3/4	40	19	33.9	8.0	SA 206	HA 206	0.79
	SAHA 206-17											SA 206-17		0.83
	SAHA 206-18											SA 206-18	HA 206	0.81
	SAHA 206-19	3-5/64	4-1/16	0	63/64	2-3/64	RP 3/4	1-37/64	3/4	1.3346	0.3150	SA 206-19		0.77
	SAHA 206-20											SA 206-20		0.74
35 1-1/4 1-5/16 1-3/8 1-7/16	SAHA 207	92	116.0	0	26	70	RP 3/4	40	19	37.5	8.5	SA 207	HA 207	1.14
	SAHA 207-20											SA 207-20		1.2
	SAHA 207-21											SA 207-21	HA 207	1.17
	SAHA 207-22	3-5/8	4-9/16	0	1-1/64	2-3/4	RP 3/4	1-37/64	3/4	1.4764	0.3543	SA 207-22		1.15
	SAHA 207-23											SA 207-23		1.12
40 1-1/2	SAHA 208	96	121.0	2.0	30	73	RP 3/4	40	19	40.5	9.5	SA 208	HA 208	1.26
	SAHA 208-24	3-25/32	4-49/64	5/64	1-3/16	2-7/8	RP 3/4	1-37/64	3/4	1.5945	0.3740	SA 208-24	HA 208	1.29
45 1-5/8 1-11/16 1-3/4	SAHA 209	108	136.0	5.0	30	82	RP 1	48	21	42.2	10.0	SA 209	HA 209	1.66
	SAHA 209-26											SA 209-26		1.79
	SAHA 209-27	4-1/4	5-23/64	13/64	1-3/16	3-15/64	RP 1	1-57/64	53/64	1.6614	0.3937	SA 209-27	HA 209	1.73
	SAHA 209-28											SA 209-28		1.7
50 1-7/8 1-15/16 2	SAHA 210	115	140.5	5.0	32	83	RP 1	48	21	43.7	10.5	SA 210	HA 210	1.95
	SAHA 210-30											SA 210-30		2
	SAHA 210-31	4-17/32	5-17/32	13/64	1-17/64	3-17/64	RP 1	1-57/64	53/64	1.7205	0.4134	SA 210-31	HA 210	1.98
	SAHA 210-32											SA 210-32		1.92
55 2 2-1/16 2-1/8 2-3/16	SAHA 211	126	150.0	7.0	33	87	RP 1-1/4	60	24	48.4	11.5	SA 211	HA 211	2.23
	SAHA 211-32											SA 211-32		2.54
	SAHA 211-33											SA 211-33	HA 211	2.49
	SAHA 211-34	4-61/64	5-29/32	9/32	1-19/64	3-27/64	RP 1-1/4	2-23/64	15/16	1.9055	0.4528	SA 211-34		2.32
	SAHA 211-35											SA 211-35		2.17

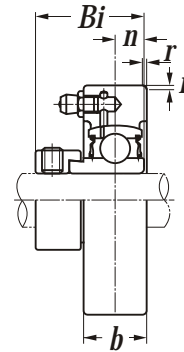
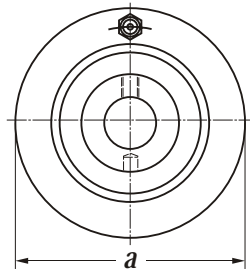
Technical Information



Shaft dia. mm inch	Unit number	Nominal dimensions					Bearing number	Housing number	Mass of unit Kg
		<i>a</i>	<i>b</i>	<i>r</i>	<i>Bi</i>	<i>n</i>			
12 1/2	UCC 201	72	20	2.0	31.0	12.7	UC 201	C 204	0.53
	UCC 201-8	2-53/64	25/32	5/64	1.2205	0.5000	UC 201-8	C 204	0.53
15 9/16 5/8	UCC 202	72	20	2.0	31.0	12.7	UC 202	C 204	0.52
	UCC 202-9	2-53/64	25/32	5/64	1.2205	0.5000	UC 202-9	C 204	0.52
	UCC 202-10	2-53/64	25/32	5/64	1.2205	0.5000	UC 202-10	C 204	0.52
17 11/16	UCC 203	72	20	2.0	31.0	12.7	UC 203	C 204	0.51
	UCC 203-11	2-53/64	25/32	5/64	1.2205	0.5000	UC 203-11	C 204	0.51
20 3/4	UCC 204	72	20	2.0	31.0	12.7	UC 204	C 204	0.49
	UCC 204-12	2-53/64	25/32	5/64	1.2205	0.5000	UC 204-12	C 204	0.50
25 13/16 7/8 15/16 1	UCC 205	80	22	2.0	34.0	14.3	UC 205	C 205	0.65
	UCC 205-13	3-5/32	55/64	5/64	1.3386	0.5630	UC 205-13	C 205	0.69
	UCC 205-14	3-5/32	55/64	5/64	1.3386	0.5630	UC 205-14	C 205	0.67
	UCC 205-15	3-5/32	55/64	5/64	1.3386	0.5630	UC 205-15	C 205	0.66
	UCC 205-16	3-5/32	55/64	5/64	1.3386	0.5630	UC 205-16	C 205	0.64
30 1-1/16 1-1/8 1-3/16 1-1/4	UCC 206	85	27	2.0	38.1	15.9	UC 206	C 206	0.81
	UCC 206-17	3-11/32	1-1/16	5/64	1.5000	0.6260	UC 206-17	C 206	0.85
	UCC 206-18	3-11/32	1-1/16	5/64	1.5000	0.6260	UC 206-18	C 206	0.83
	UCC 206-19	3-11/32	1-1/16	5/64	1.5000	0.6260	UC 206-19	C 206	0.80
	UCC 206-20	3-11/32	1-1/16	5/64	1.5000	0.6260	UC 206-20	C 206	0.79
35 1-1/4 1-5/16 1-3/8 1-7/16	UCC 207	90	28	2.0	42.9	17.5	UC 207	C 207	0.90
	UCC 207-20	3-35/64	1-7/64	5/64	1.6890	0.6890	UC 207-20	C 207	0.96
	UCC 207-21	3-35/64	1-7/64	5/64	1.6890	0.6890	UC 207-21	C 207	0.94
	UCC 207-22	3-35/64	1-7/64	5/64	1.6890	0.6890	UC 207-22	C 207	0.91
	UCC 207-23	3-35/64	1-7/64	5/64	1.6890	0.6890	UC 207-23	C 207	0.88
40 1-1/2	UCC 208	100	30	2.5	49.2	19.0	UC 208	C 208	1.19
	UCC 208-24	3-15/16	1-3/16	3/32	1.9370	0.7480	UC 208-24	C 208	1.23
45 1-5/8 1-11/16 1-3/4	UCC 209	110	31	2.5	49.2	19.0	UC 209	C 209	1.49
	UCC 209-26	4-21/64	1-7/32	3/32	1.9370	0.7480	UC 209-26	C 209	1.59
	UCC 209-27	4-21/64	1-7/32	3/32	1.9370	0.7480	UC 209-27	C 209	1.55
	UCC 209-28	4-21/64	1-7/32	3/32	1.9370	0.7480	UC 209-28	C 209	1.51
50 1-7/8 1-15/16 2	UCC 210	120	33	2.5	51.6	19.0	UC 210	C 210	1.92
	UCC 210-30	4-23/32	1-19/64	3/32	2.0315	0.7480	UC 210-30	C 210	1.99
	UCC 210-31	4-23/32	1-19/64	3/32	2.0315	0.7480	UC 210-31	C 210	1.94
	UCC 210-32	4-23/32	1-19/64	3/32	2.0315	0.7480	UC 210-32	C 210	1.90

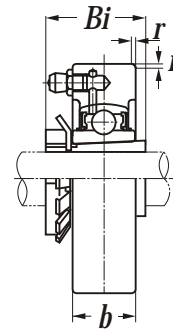
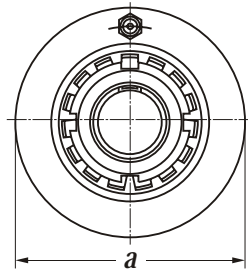


Shaft dia. mm inch	Unit number	Nominal dimensions mm inch					Bearing number	Housing number	Mass of unit Kg
		<i>a</i>	<i>b</i>	<i>r</i>	<i>Bi</i>	<i>n</i>			
55 2 2-1/16 2-1/8 2-3/16	UCC 211	125	35	2.5	55.6	22.2	UC 211	C 211	2.21
	UCC 211-32						UC 211-32		2.36
	UCC 211-33	4-59/64	1-3/8	3/32	2.1890	0.8740	UC 211-33	C 211	2.31
	UCC 211-34						UC 211-34		2.26
	UCC 211-35						UC 211-35		2.19
60 2-1/4 2-5/16 2-3/8 2-7/16	UCC 212	130	38	2.5	65.1	25.4	UC 212	C 212	2.48
	UCC 212-36						UC 212-36		2.62
	UCC 212-37	5-1/8	1-1/2	3/32	2.5630	1.0000	UC 212-37	C 212	2.55
	UCC 212-38						UC 212-38		2.46
	UCC 212-39						UC 212-39		2.40
65 2-1/2 2-9/16	UCC 213	140	40	3.0	65.1	25.4	UC 213	C 213	2.97
	UCC 213-40	5-3/64	1-37/64	1/8	2.5630	1.0000	UC 213-40	C 213	3.05
	UCC 213-41						UC 213-41		2.89

Technical Information
**STANDARD DUTY CYLINDRICAL CARTRIDGE UNITS
ECCENTRIC LOCKING COLLAR TYPE**


Shaft dia. mm inch	Unit number	Nominal dimensions					Bearing number	Housing number	Mass of unit Kg
		<i>a</i>	<i>b</i>	<i>r</i>	<i>Bi</i>	<i>n</i>			
20 3/4	SAC 204	72	20	2.0	29.5	7.0	SA 204	C 204	0.50
	SAC 204-12	2-53/64	25/32	5/64	1.1614	0.2756	SA 204-12	C 204	0.51
25 13/16 7/8 15/16 1	SAC 205	80	22	2.0	30.5	7.5	SA 205	C 205	0.64
	SAC 205-13	3-5/32	55/64	5/64	1.2008	0.2953	SA 205-13	C 205	0.67
	SAC 205-14						SA 205-14		0.66
	SAC 205-15						SA 205-15		0.65
SAC 205-16	SA 205-16						0.62		
30 1-1/16 1-1/8 1-3/16 1-1/4	SAC 206	85	27	2.0	33.9	8.0	SA 206	C 206	0.82
	SAC 206-17	3-11/32	1-1/16	5/64	1.3346	0.3150	SA 206-17	C 206	0.86
	SAC 206-18						SA 206-18		0.84
	SAC 206-19						SA 206-19		0.80
SAC 206-20	SA 206-20						0.77		
35 1-1/4 1-5/16 1-3/8 1-7/16	SAC 207	90	28	2.0	37.5	8.5	SA 207	C 207	0.93
	SAC 207-20	3-35/64	1-7/64	5/64	1.4764	0.3543	SA 207-20	C 207	0.99
	SAC 207-21						SA 207-21		0.96
	SAC 207-22						SA 207-22		0.94
SAC 207-23	SA 207-23						0.91		
40 1-1/2	SAC 208	100	30	2.5	40.5	9.5	SA 208	C 208	1.20
	SAC 208-24	3-15/16	1-3/16	3/32	1.5945	0.3740	SA 208-24	C 208	1.23
45 1-5/8 1-11/16 1-3/4	SAC 209	110	31	2.5	42.2	10.0	SA 209	C 209	1.50
	SAC 209-26	4-21/64	1-7/32	3/32	1.6614	0.3937	SA 209-26	C 209	1.63
	SAC 209-27						SA 209-27		1.57
SAC 209-28	SA 209-28						1.54		
50 1-7/8 1-15/16 2	SAC 210	120	33	2.5	43.7	10.5	SA 210	C 210	1.92
	SAC 210-30	4-23/32	1-19/64	3/32	1.7205	0.4134	SA 210-30	C 210	1.97
	SAC 210-31						SA 210-31		1.95
SAC 210-32	SA 210-32						1.89		
55 2 2-1/16 2-1/8 2-3/16	SAC 211	125	35	2.5	48.4	11.5	SA 211	C 211	1.96
	SAC 211-32	4-59/64	1-3/8	3/32	1.9055	0.4528	SA 211-32	C 211	2.27
	SAC 211-33						SA 211-33		2.22
	SAC 211-34						SA 211-34		2.05
	SAC 211-35						SA 211-35		1.90

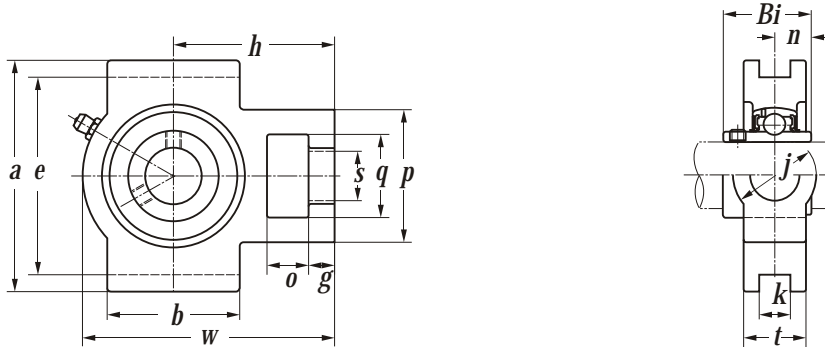
Technical Information



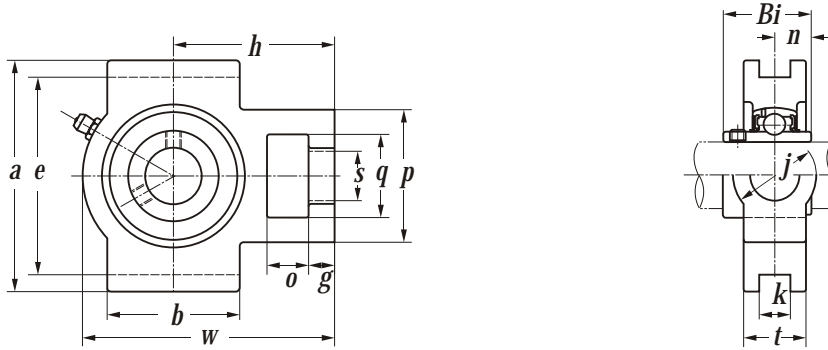
Shaft dia. mm	Unit number	Nominal dimensions mm				Bearing number	Housing number	Mass of unit Kg
		<i>a</i>	<i>b</i>	<i>r</i>	<i>Bi</i>			
20	UKC 205	80	22	2.0	35	UK 205	C 205	0.59
25	UKC 206	85	27	2.0	38	UK 206	C 206	0.74
30	UKC 207	90	28	2.0	43	UK 207	C 207	0.80
35	UKC 208	100	30	2.5	46	UK 208	C 208	1.03
40	UKC 209	110	31	2.5	50	UK 209	C 209	1.34
45	UKC 210	120	33	2.5	55	UK 210	C 210	1.71
50	UKC 211	125	35	2.5	59	UK 211	C 211	1.86
55	UKC 212	130	38	2.5	62	UK 212	C 212	1.98
60	UKC 213	140	40	3.0	65	UK 213	C 213	2.47



Technical Information



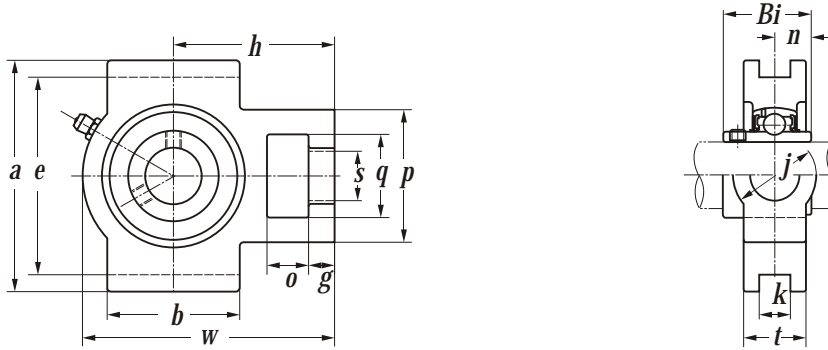
Shaft dia. mm inch	Unit number	Nominal dimensions															Bearing number	Housing number	Mass of unit Kg										
		o		g		p		q		s		b		k		e				a		w		j		t		h	
20 3/4	UCST 204	16	10	51	32	19	51	13.5	76	89	94	32	21	61	31.0	12.7	UC 204	ST 204	0.73										
	UCST 204-12	5/8	25/64	2-1/64	1-17/64	3/4	2-1/64	17/32	2-63/64	3-1/2	3-45/64	1-17/64	53/64	2-13/32	1.2205	0.5000	UC 204-12	ST 204	0.74										
25 13/16 7/8 15/16 1	UCST 205	16	10	51	32	19	51	13.5	76	89	97	32	24	62	34.0	14.3	UC 205	ST 205	0.83										
	UCST 205-13																UC 205-13		0.87										
	UCST 205-14																UC 205-14	ST 205	0.85										
	UCST 205-15	5/8	25/64	2-1/64	1-17/64	3/4	2-1/64	17/32	2-63/64	3-1/2	3-13/16	1-17/64	15/16	2-7/16	1.3386	0.5630	UC 205-15		0.84										
UCST 205-16																UC 205-16		0.82											
30 1-1/16 1-1/8 1-3/16 1-1/4	UCST 206	16	10	56	37	22	57	13.5	89	102	113	37	28	70	38.1	15.9	UC 206	ST 206	1.26										
	UCST 206-17																UC 206-17		1.30										
	UCST 206-18																UC 206-18	ST 206	1.28										
	UCST 206-19	5/8	25/64	2-13/64	1-29/64	55/64	2-1/4	17/32	3-1/2	4-1/64	4-29/64	1-29/64	1-7/64	2-3/4	1.5000	0.6260	UC 206-19		1.25										
	UCST 206-20																UC 206-20		1.24										
35 1-1/4 1-5/16 1-3/8 1-7/16	UCST 207	16	13	64	37	22	64	13.5	89	102	129	37	30	78	42.9	17.5	UC 207	ST 207	1.58										
	UCST 207-20																UC 207-20		1.64										
	UCST 207-21																UC 207-21	ST 207	1.62										
	UCST 207-22	5/8	3/64	2-3/64	1-29/64	55/64	2-3/64	17/32	3-1/2	4-1/64	5-5/64	1-29/64	1-3/16	3-5/64	1.6890	0.6890	UC 207-22		1.59										
	UCST 207-23																UC 207-23		1.56										
40 1-1/2	UCST 208	19	16	83	49	29	83	17.5	101	114	144	49	33	88	49.2	19.0	UC 208	ST 208	2.30										
	UCST 208-24	3/4	5/8	3-17/64	1-59/64	1-9/64	3-17/64	11/16	3-31/32	4-31/64	5-43/64	1-59/64	1-19/64	3-15/32	1.9370	0.7480	UC 208-24	ST 208	2.34										
45 1-5/8 1-11/16 1-3/4	UCST 209	19	16	83	49	29	83	17.5	101	117	144	49	35	87	49.2	19.0	UC 209	ST 209	2.27										
	UCST 209-26																UC 209-26		2.37										
	UCST 209-27	3/4	5/8	3-17/64	1-59/64	1-9/64	3-17/64	11/16	3-31/32	4-39/64	5-43/64	1-59/64	1-3/8	3-27/64	1.9370	0.7480	UC 209-27	ST 209	2.33										
	UCST 209-28																UC 209-28		2.29										
50 1-7/8 1-15/16 2	UCST 210	19	16	83	49	29	86	17.5	101	117	149	49	37	90	51.6	19.0	UC 210	ST 210	2.49										
	UCST 210-30																UC 210-30		2.56										
	UCST 210-31	3/4	5/8	3-17/64	1-59/64	1-9/64	3-25/64	11/16	3-31/32	4-39/64	5-55/64	1-59/64	1-29/64	3-35/64	2.0315	0.7480	UC 210-31	ST 210	2.51										
	UCST 210-32																UC 210-32		2.47										
55 2 2-1/16 2-1/8 2-3/16	UCST 211	25	19	102	64	35	95	27.0	130	146	171	64	38	106	55.6	22.2	UC 211	ST 211	3.77										
	UCST 211-32																UC 211-32		3.92										
	UCST 211-33																UC 211-33	ST 211	3.87										
	UCST 211-34	63/64	3/4	4-1/64	2-3/64	1-3/8	3-47/64	1-1/16	5-1/8	5-3/4	6-47/64	2-3/64	1-1/2	4-11/64	2.1890	0.8740	UC 211-34		3.82										
	UCST 211-35																UC 211-35		3.75										



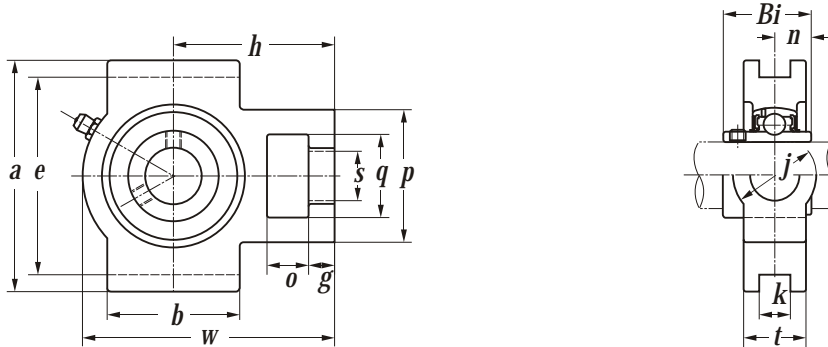
Shaft dia. mm inch	Unit number	Nominal dimensions															Bearing number	Housing number	Mass of unit Kg
		mm		inch															
		<i>o</i>	<i>g</i>	<i>p</i>	<i>q</i>	<i>s</i>	<i>b</i>	<i>k</i>	<i>e</i>	<i>a</i>	<i>w</i>	<i>j</i>	<i>t</i>	<i>h</i>	<i>Bi</i>	<i>n</i>			
60	UCST 212	32	19	102	64	35	102	27.0	130	146	194	64	42	119	65.1	25.4	UC 212	ST 212	4.77
2-1/4	UCST 212-36																UC 212-36		4.91
2-5/16	UCST 212-37	1-17/64	3/4	4-1/64	2-3/64	1-3/8	4-1/64	1-1/16	5-1/8	5-3/4	7-41/64	2-3/64	1-21/32	4-11/16	2.5630	1.0000	UC 212-37	ST 212	4.84
2-3/8	UCST 212-38																UC 212-38		4.75
2-7/16	UCST 212-39																UC 212-39		4.69
65	UCST 213	32	21	111	70	41	121	27.0	151	167	224	70	44	137	65.1	25.4	UC 213	ST 213	6.65
2-1/2	UCST 213-40	1-17/64	53/64	4-3/8	2-3/4	1-39/64	4-49/64	1-1/16	5-15/16	6-37/64	8-13/16	2-3/4	1-47/64	5-25/64	2.5630	1.0000	UC 213-40	ST 213	6.73
2-9/16	UCST 213-41																UC 213-41		6.57
70	UCST 214	32	21	111	70	41	121	27.0	151	167	224	70	46	137	74.6	30.2	UC 214	ST 214	6.74
2-5/8	UCST 214-42																UC 214-42		6.77
2-11/16	UCST 214-43	1-17/64	53/64	4-3/8	2-3/4	1-39/64	4-49/64	1-1/16	5-15/16	6-37/64	8-13/16	2-3/4	1-13/16	5-25/64	2.9370	1.1890	UC 214-43	ST 214	6.76
2-3/4	UCST 214-44																UC 214-44		6.75
75	UCST 215	32	21	111	70	41	121	27.0	151	167	232	70	48	140	77.8	33.3	UC 215	ST 215	7.10
2-13/16	UCST 215-45																UC 215-45		7.19
2-7/8	UCST 215-46	1-17/64	53/64	4-3/8	2-3/4	1-39/64	4-49/64	1-1/16	5-15/16	6-37/64	9-9/64	2-3/4	1-57/64	5-3/64	3.0630	1.3110	UC 215-46	ST 215	7.15
2-15/16	UCST 215-47																UC 215-47		7.13
1-7/16	UCST 215-48																UC 215-48		7.02



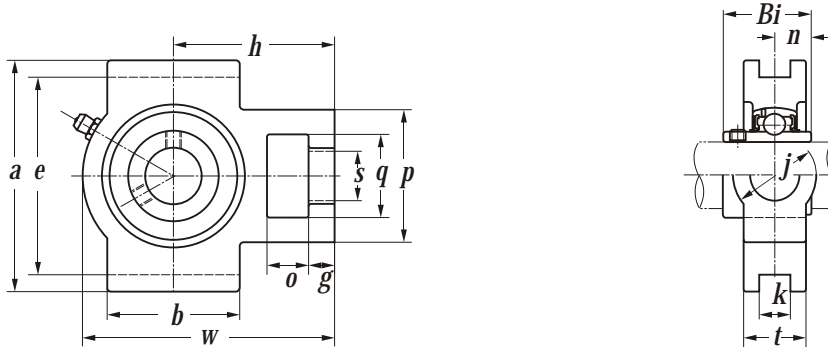
Technical Information



Shaft dia. mm inch	Unit number	Nominal dimensions															Bearing number	Housing number	Mass of unit Kg
		mm		inch															
		<i>o</i>	<i>g</i>	<i>p</i>	<i>q</i>	<i>s</i>	<i>b</i>	<i>k</i>	<i>e</i>	<i>a</i>	<i>w</i>	<i>j</i>	<i>t</i>	<i>h</i>	<i>Bi</i>	<i>n</i>			
12 1/2	UCT 201	16	10	51	32	19	51	12	76	89	94	32	21	61	31.0	12.7	UC 201	T 204	0.77
	UCT 201-8	5/8	25/64	2-1/64	1-17/64	3/4	2-1/64	15/32	2-63/64	3-1/2	3-45/64	1-17/64	53/64	2-13/32	1.2205	0.5000	UC 201-8	T 204	0.77
15 9/16 5/8	UCT 202	16	10	51	32	19	51	12	76	89	94	32	21	61	31.0	12.7	UC 202	T 204	0.76
	UCT 202-9	5/8	25/64	2-1/64	1-17/64	3/4	2-1/64	15/32	2-63/64	3-1/2	3-45/64	1-17/64	53/64	2-13/32	1.2205	0.5000	UC 202-9	T 204	0.76
	UCT 202-10	5/8	25/64	2-1/64	1-17/64	3/4	2-1/64	15/32	2-63/64	3-1/2	3-45/64	1-17/64	53/64	2-13/32	1.2205	0.5000	UC 202-10	T 204	0.76
17 11/16	UCT 203	16	10	51	32	19	51	12	76	89	94	32	21	61	31.0	12.7	UC 203	T 204	0.75
	UCT 203-11	5/8	25/64	2-1/64	1-17/64	3/4	2-1/64	15/32	2-63/64	3-1/2	3-45/64	1-17/64	53/64	2-13/32	1.2205	0.5000	UC 203-11	T 204	0.75
20 3/4	UCT 204	16	10	51	32	19	51	12	76	89	94	32	21	61	31.0	12.7	UC 204	T 204	0.73
	UCT 204-12	5/8	25/64	2-1/64	1-17/64	3/4	2-1/64	15/32	2-63/64	3-1/2	3-45/64	1-17/64	53/64	2-13/32	1.2205	0.5000	UC 204-12	T 204	0.74
25 13/16 7/8 15/16 1	UCT 205	16	10	51	32	19	51	12	76	89	97	32	24	62	34.0	14.3	UC 205	T 205	0.83
	UCT 205-13																UC 205-13		0.87
	UCT 205-14	5/8	25/64	2-1/64	1-17/64	3/4	2-1/64	15/32	2-63/64	3-1/2	3-13/16	1-17/64	15/16	2-7/16	1.3385	0.5630	UC 205-14	T 205	0.85
	UCT 205-15	5/8	25/64	2-1/64	1-17/64	3/4	2-1/64	15/32	2-63/64	3-1/2	3-13/16	1-17/64	15/16	2-7/16	1.3385	0.5630	UC 205-15	T 205	0.84
UCT 205-16	5/8	25/64	2-1/64	1-17/64	3/4	2-1/64	15/32	2-63/64	3-1/2	3-13/16	1-17/64	15/16	2-7/16	1.3385	0.5630	UC 205-16	T 205	0.82	
30 1-1/16 1-1/8 1-3/16 1-1/4	UCT 206	16	10	56	37	22	57	12	89	102	113	37	28	70	38.1	15.9	UC 206	T 206	1.26
	UCT 206-17																UC 206-17		1.30
	UCT 206-18	5/8	25/64	2-13/64	1-29/64	55/64	2-1/4	15/32	3-1/2	4-1/64	4-29/64	1-29/64	1-7/64	2-3/4	1.5000	0.6260	UC 206-18	T 206	1.28
	UCT 206-19	5/8	25/64	2-13/64	1-29/64	55/64	2-1/4	15/32	3-1/2	4-1/64	4-29/64	1-29/64	1-7/64	2-3/4	1.5000	0.6260	UC 206-19	T 206	1.25
	UCT 206-20	5/8	25/64	2-13/64	1-29/64	55/64	2-1/4	15/32	3-1/2	4-1/64	4-29/64	1-29/64	1-7/64	2-3/4	1.5000	0.6260	UC 206-20	T 206	1.24
35 1-1/4 1-5/16 1-3/8 1-7/16	UCT 207	16	13	64	37	22	64	12	89	102	129	37	30	78	42.9	17.5	UC 207	T 207	1.58
	UCT 207-20																UC 207-20		1.64
	UCT 207-21	5/8	3/64	2-3/64	1-29/64	55/64	2-3/64	15/32	3-1/2	4-1/64	5-5/64	1-29/64	1-3/16	3-5/64	1.6890	0.6890	UC 207-21	T 207	1.62
	UCT 207-22	5/8	3/64	2-3/64	1-29/64	55/64	2-3/64	15/32	3-1/2	4-1/64	5-5/64	1-29/64	1-3/16	3-5/64	1.6890	0.6890	UC 207-22	T 207	1.59
	UCT 207-23	5/8	3/64	2-3/64	1-29/64	55/64	2-3/64	15/32	3-1/2	4-1/64	5-5/64	1-29/64	1-3/16	3-5/64	1.6890	0.6890	UC 207-23	T 207	1.56
40 1-1/2	UCT 208	19	16	83	49	29	83	16	102	114	144	49	33	88	49.2	19.0	UC 208	T 208	2.31
	UCT 208-24	3/4	5/8	3-17/64	1-59/64	1-9/64	3-17/64	5/8	4-1/64	4-31/64	5-43/64	1-59/64	1-19/64	3-15/32	1.9370	0.7480	UC 208-24	T 208	2.35
45 1-5/8 1-11/16 1-3/4	UCT 209	19	16	83	49	29	83	16	102	117	144	49	35	87	49.2	19.0	UC 209	T 209	2.28
	UCT 209-26																UC 209-26		2.38
	UCT 209-27	3/4	5/8	3-17/64	1-59/64	1-9/64	3-17/64	5/8	4-1/64	4-39/64	5-43/64	1-59/64	1-3/8	3-27/64	1.9370	0.7480	UC 209-27	T 209	2.34
UCT 209-28	3/4	5/8	3-17/64	1-59/64	1-9/64	3-17/64	5/8	4-1/64	4-39/64	5-43/64	1-59/64	1-3/8	3-27/64	1.9370	0.7480	UC 209-28	T 209	2.30	
50 1-7/8 1-15/16 2	UCT 210	19	16	83	49	29	86	16	102	117	149	49	37	90	51.6	19.0	UC 210	T 210	2.50
	UCT 210-30																UC 210-30		2.57
	UCT 210-31	3/4	5/8	3-17/64	1-59/64	1-9/64	3-25/64	5/8	4-1/64	4-39/64	5-55/64	1-59/64	1-29/64	3-35/64	2.0315	0.7480	UC 210-31	T 210	2.52
UCT 210-32	3/4	5/8	3-17/64	1-59/64	1-9/64	3-25/64	5/8	4-1/64	4-39/64	5-55/64	1-59/64	1-29/64	3-35/64	2.0315	0.7480	UC 210-32	T 210	2.48	



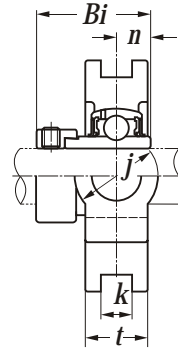
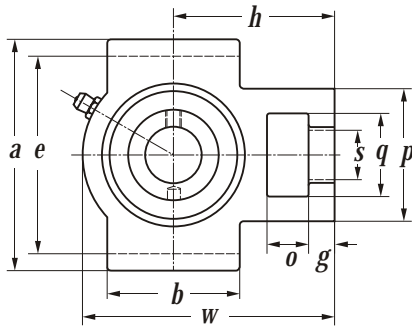
Shaft dia. mm inch	Unit number	Nominal dimensions															Bearing number	Housing number	Mass of unit Kg
		mm		inch															
		<i>o</i>	<i>g</i>	<i>p</i>	<i>q</i>	<i>s</i>	<i>b</i>	<i>k</i>	<i>e</i>	<i>a</i>	<i>w</i>	<i>j</i>	<i>t</i>	<i>h</i>	<i>Bi</i>	<i>n</i>			
55	UCT 211	25	19	102	64	35	95	22	130	146	171	64	38	106	55.6	22.2	UCT 211	T 211	3.79
2	UCT 211-32																UC 211-32		3.94
2-1/16	UCT 211-33	63/64	3/4	4-1/64	2-3/64	1-3/8	3-47/64	55/64	5-1/8	5-3/4	6-47/64	2-3/64	1-1/2	4-11/64	2.1890	0.8740	UC 211-33	T 211	3.89
2-1/8	UCT 211-34																UC 211-34		3.84
2-3/16	UCT 211-35																UC 211-35		3.77
60	UCT 212	32	19	102	64	35	102	22	130	146	194	64	42	119	65.1	25.4	UCT 212	T 212	4.79
2-1/4	UCT 212-36																UC 212-36		4.93
2-5/16	UCT 212-37	1-17/64	3/4	4-1/64	2-3/64	1-3/8	4-1/64	55/64	5-1/8	5-3/4	7-41/64	2-3/64	1-21/32	4-11/16	2.5630	1.0000	UC 212-37	T 212	4.86
2-3/8	UCT 212-38																UC 212-38		4.77
2-7/16	UCT 212-39																UC 212-39		4.71
65	UCT 213	32	21	111	70	41	121	26	151	167	224	70	44	137	65.1	25.4	UCT 213	T 213	6.66
2-1/2	UCT 213-40																UC 213-40		6.74
2-9/16	UCT 213-41	1-17/64	53/64	4-3/8	2-3/4	1-39/64	4-49/64	1-1/64	5-15/16	6-37/64	8-13/16	2-3/4	1-47/64	5-25/64	2.5630	1.0000	UC 213-41	T 213	6.58
70	UCT 214	32	21	111	70	41	121	26	151	167	224	70	46	137	74.6	30.2	UCT 214	T 214	6.75
2-5/8	UCT 214-42																UC 214-42		6.78
2-11/16	UCT 214-43	1-17/64	53/64	4-3/8	2-3/4	1-39/64	4-49/64	1-1/64	5-15/16	6-37/64	8-13/16	2-3/4	1-13/16	5-25/64	2.9370	1.1890	UC 214-43	T 214	6.77
2-3/4	UCT 214-44																UC 214-44		6.76
75	UCT 215	32	21	111	70	41	121	26	151	167	232	70	48	140	77.8	33.3	UCT 215	T 215	7.11
2-13/16	UCT 215-45																UC 215-45		7.20
2-7/8	UCT 215-46	1-17/64	53/64	4-3/8	2-3/4	1-39/64	4-49/64	1-1/64	5-15/16	6-37/64	9-9/64	2-3/4	1-57/64	5-3/64	3.0630	1.3110	UC 215-46	T 215	7.16
2-15/16	UCT 215-47																UC 215-47		7.14
3	UCT 215-48																UC 215-48		7.03
80	UCT 216	32	21	111	70	41	121	26	165	184	235	70	51	140	82.6	33.3	UCT 216	T 216	8.19
3-1/16	UCT 216-49																UC 216-49		8.28
3-1/8	UCT 216-50	1-17/64	53/64	4-3/8	2-3/4	1-39/64	4-49/64	1-1/64	6-1/2	7-1/4	9-1/4	2-3/4	2-1/64	5-3/64	3.2520	1.3110	UC 216-50	T 216	8.24
3-3/16	UCT 216-51																UC 216-51		8.11
85	UCT 217	38	29	124	73	48	157	30	173	198	260	73	54	162	85.7	34.1	UCT 217	T 217	10.58
3-1/4	UCT 217-52																UC 217-52		10.80
3-5/16	UCT 217-53	1-1/2	1-9/64	4-7/8	2-7/8	1-57/64	6-3/16	1-3/16	6-13/16	7-51/64	10-15/64	2-7/8	2-1/8	6-3/8	3.3740	1.3425	UC 217-53	T 217	10.66
3-7/16	UCT 217-55																UC 217-55		10.41



Shaft dia. mm inch	Unit number	Nominal dimensions															Bearing number	Housing number	Mass of unit Kg
		mm		inch															
		<i>o</i>	<i>g</i>	<i>p</i>	<i>q</i>	<i>s</i>	<i>b</i>	<i>k</i>	<i>e</i>	<i>a</i>	<i>w</i>	<i>j</i>	<i>t</i>	<i>h</i>	<i>Bi</i>	<i>n</i>			
55	UCT 211	25	19	102	64	35	95	22	130	146	171	64	38	106	55.6	22.2	UCT 211	T 211	3.79
2	UCT 211-32																UCT 211-32		3.94
2-1/16	UCT 211-33	63/64	3/4	4-1/64	2-3/64	1-3/8	3-47/64	55/64	5-1/8	5-3/4	6-47/64	2-3/64	1-1/2	4-11/64	2.1890	0.8740	UCT 211-33	T 211	3.89
2-1/8	UCT 211-34																UCT 211-34		3.84
2-3/16	UCT 211-35																UCT 211-35		3.77
60	UCT 212	32	19	102	64	35	102	22	130	146	194	64	42	119	65.1	25.4	UCT 212	T 212	4.79
2-1/4	UCT 212-36																UCT 212-36		4.93
2-5/16	UCT 212-37	1-17/64	3/4	4-1/64	2-3/64	1-3/8	4-1/64	55/64	5-1/8	5-3/4	7-41/64	2-3/64	1-21/32	4-11/16	2.5630	1.0000	UCT 212-37	T 212	4.86
2-3/8	UCT 212-38																UCT 212-38		4.77
2-7/16	UCT 212-39																UCT 212-39		4.71
65	UCT 213	32	21	111	70	41	121	26	151	167	224	70	44	137	65.1	25.4	UCT 213	T 213	6.66
2-1/2	UCT 213-40																UCT 213-40		6.74
2-9/16	UCT 213-41	1-17/64	53/64	4-3/8	2-3/4	1-39/64	4-49/64	1-1/64	5-15/16	6-37/64	8-13/16	2-3/4	1-47/64	5-25/64	2.5630	1.0000	UCT 213-41	T 213	6.58
70	UCT 214	32	21	111	70	41	121	26	151	167	224	70	46	137	74.6	30.2	UCT 214	T 214	6.75
2-5/8	UCT 214-42																UCT 214-42		6.78
2-11/16	UCT 214-43	1-17/64	53/64	4-3/8	2-3/4	1-39/64	4-49/64	1-1/64	5-15/16	6-37/64	8-13/16	2-3/4	1-13/16	5-25/64	2.9370	1.1890	UCT 214-43	T 214	6.77
2-3/4	UCT 214-44																UCT 214-44		6.76
75	UCT 215	32	21	111	70	41	121	26	151	167	232	70	48	140	77.8	33.3	UCT 215	T 215	7.11
2-13/16	UCT 215-45																UCT 215-45		7.20
2-7/8	UCT 215-46	1-17/64	53/64	4-3/8	2-3/4	1-39/64	4-49/64	1-1/64	5-15/16	6-37/64	9-9/64	2-3/4	1-57/64	5-3/64	3.0630	1.3110	UCT 215-46	T 215	7.16
2-15/16	UCT 215-47																UCT 215-47		7.14
3	UCT 215-48																UCT 215-48		7.03
80	UCT 216	32	21	111	70	41	121	26	165	184	235	70	51	140	82.6	33.3	UCT 216	T 216	8.19
3-1/16	UCT 216-49																UCT 216-49		8.28
3-1/8	UCT 216-50	1-17/64	53/64	4-3/8	2-3/4	1-39/64	4-49/64	1-1/64	6-1/2	7-1/4	9-1/4	2-3/4	2-1/64	5-3/64	3.2520	1.3110	UCT 216-50	T 216	8.24
3-3/16	UCT 216-51																UCT 216-51		8.11
85	UCT 217	38	29	124	73	48	157	30	173	198	260	73	54	162	85.7	34.1	UCT 217	T 217	10.58
3-1/4	UCT 217-52																UCT 217-52		10.80
3-5/16	UCT 217-53	1-1/2	1-9/64	4-7/8	2-7/8	1-57/64	6-3/16	1-3/16	6-13/16	7-51/64	10-15/64	2-7/8	2-1/8	6-3/8	3.3740	1.3425	UCT 217-53	T 217	10.66
3-7/16	UCT 217-55																UCT 217-55		10.41



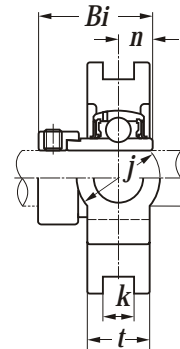
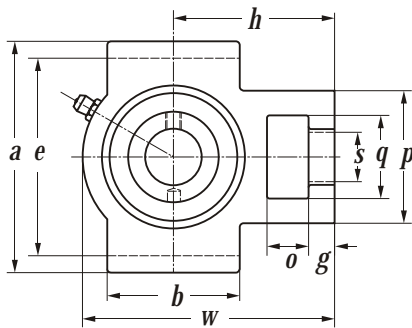
Technical Information



Shaft dia. mm inch	Unit number	Nominal dimensions															Bearing number	Housing number	Mass of unit Kg
		mm		inch															
		<i>o</i>	<i>g</i>	<i>p</i>	<i>q</i>	<i>s</i>	<i>b</i>	<i>k</i>	<i>e</i>	<i>a</i>	<i>w</i>	<i>j</i>	<i>t</i>	<i>h</i>	<i>Bi</i>	<i>n</i>			
20 3/4	SAST 204	16	10	51	32	19	51	13.5	76	89	94	32	21	61	29.5	7.0	SA 204	ST 204	0.74
	SAST 204-12	5/8	25/64	2-1/64	1-17/64	3/4	2-1/64	17/32	2-63/64	3-1/2	3-45/64	1-17/64	53/64	2-13/32	1.1614	0.2756	SA 204-12	ST 204	0.75
25 13/16 7/8 15/16 1	SAST 205	16	10	51	32	19	51	13.5	76	89	97	32	24	62	30.5	7.5	SA 205	ST 205	0.82
	SAST 205-13																SA 205-13		0.85
	SAST 205-14																SA 205-14	ST 205	0.84
	SAST 205-15	5/8	25/64	2-1/64	1-17/64	3/4	2-1/64	17/32	2-63/64	3-1/2	3-13/16	1-17/64	15/16	2-7/16	1.2008	0.2953	SA 205-15		0.83
SAST 205-16																SA 205-16		0.80	
30 1-1/16 1-1/8 1-3/16 1-1/4	SAST 206	16	10	56	37	22	57	13.5	89	102	113	37	28	70	33.9	8.0	SA 206	ST 206	1.27
	SAST 206-17																SA 206-17		1.31
	SAST 206-18																SA 206-18	ST 206	1.29
	SAST 206-19	5/8	25/64	2-13/64	1-29/64	55/64	2-1/4	17/32	3-1/2	4-1/64	4-29/64	1-29/64	1-7/64	2-3/4	1.3346	0.3150	SA 206-19		1.25
SAST 206-20																SA 206-20		1.22	
35 1-1/4 1-5/16 1-3/8 1-7/16	SAST 207	16	13	64	37	22	64	13.5	89	102	129	37	30	78	37.5	8.5	SA 207	ST 207	1.61
	SAST 207-20																SA 207-20		1.67
	SAST 207-21																SA 207-21	ST 207	1.64
	SAST 207-22	5/8	3/64	2-3/64	1-29/64	55/64	2-3/64	17/32	3-1/2	4-1/64	5-5/64	1-29/64	1-3/16	3-5/64	1.4764	0.3543	SA 207-22		1.62
SAST 207-23																SA 207-23		1.59	
40 1-1/2	SAST 208	19	16	83	49	29	83	17.5	101	114	144	49	33	88	40.5	9.5	SA 208	ST 208	2.31
	SAST 208-24	3/4	5/8	3-17/64	1-59/64	1-9/64	3-17/64	11/16	3-31/32	4-31/64	5-43/64	1-59/64	1-19/64	3-15/32	1.5945	0.3740	SA 208-24	ST 208	2.34
45 1-5/8 1-11/16 1-3/4	SAST 209	19	16	83	49	29	83	17.5	101	117	144	49	35	87	42.2	10.0	SA 209	ST 209	2.28
	SAST 209-26																SA 209-26		2.41
	SAST 209-27	3/4	5/8	3-17/64	1-59/64	1-9/64	3-17/64	11/16	3-31/32	4-39/64	5-43/64	1-59/64	1-3/8	3-27/64	1.6614	0.3937	SA 209-27	ST 209	2.35
SAST 209-28																SA 209-28		2.32	
50 1-7/8 1-15/16 2	SAST 210	19	16	83	49	29	86	17.5	101	117	149	49	37	90	43.7	10.5	SA 210	ST 210	2.49
	SAST 210-30																SA 210-30		2.54
	SAST 210-31	3/4	5/8	3-17/64	1-59/64	1-9/64	3-25/64	11/16	3-31/32	4-39/64	5-55/64	1-59/64	1-29/64	3-35/64	1.7205	0.4134	SA 210-31	ST 210	2.52
SAST 210-32																SA 210-32		2.46	
55 2 2-1/16 2-1/8 2-3/16	SAST 211	25	19	102	64	35	95	27.0	130	146	171	64	38	106	48.4	11.5	SA 211	ST 211	3.52
	SAST 211-32																SA 211-32		3.83
	SAST 211-33																SA 211-33	ST 211	3.78
	SAST 211-34	63/64	3/4	4-1/64	2-3/64	1-3/8	3-47/64	1-1/16	5-1/8	5-3/4	6-47/64	2-3/64	1-1/2	4-11/64	1.9055	0.4528	SA 211-34		3.61
	SAST 211-35																SA 211-35		3.46



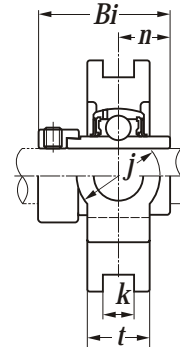
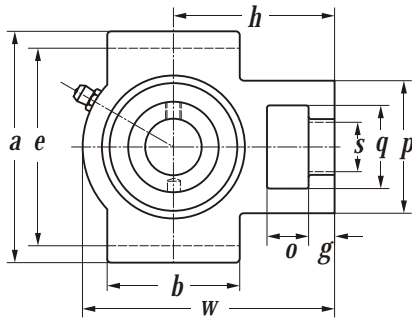
Technical Information



Shaft dia. mm inch	Unit number	Nominal dimensions															Bearing number	Housing number	Mass of unit Kg
		mm		inch															
		<i>o</i>	<i>g</i>	<i>p</i>	<i>q</i>	<i>s</i>	<i>b</i>	<i>k</i>	<i>e</i>	<i>a</i>	<i>w</i>	<i>j</i>	<i>t</i>	<i>h</i>	<i>Bi</i>	<i>n</i>			
20 3/4	SAT 204	16	10	51	32	19	51	12	76	89	94	32	21	61	29.5	7.0	SA 204	T 204	0.74
	SAT 204-12	5/8	25/64	2-1/64	1-17/64	3/4	2-1/64	15/32	2-63/64	3-1/2	3-45/64	1-17/64	53/64	2-13/32	1.1614	0.2756	SA 204-12	T 204	0.75
25 13/16 7/8 15/16 1	SAT 205	16	10	51	32	19	51	12	76	89	97	32	24	62	30.5	7.5	SA 205	T 205	0.82
	SAT 205-13																SA 205-13		0.85
	SAT 205-14																SA 205-14	T 205	0.84
	SAT 205-15	5/8	25/64	2-1/64	1-17/64	3/4	2-1/64	15/32	2-63/64	3-1/2	3-13/16	1-17/64	15/16	2-7/16	1.2008	0.2953	SA 205-15		0.83
SAT 205-16																	SA 205-16		0.80
30 1-1/16 1-1/8 1-3/16 1-1/4	SAT 206	16	10	56	37	22	57	12	89	102	113	37	28	70	33.9	8.0	SA 206	T 206	1.27
	SAT 206-17																SA 206-17		1.31
	SAT 206-18																SA 206-18	T 206	1.29
	SAT 206-19	5/8	25/64	2-13/64	1-29/64	55/64	2-1/4	15/32	3-1/2	4-1/64	4-29/64	1-29/64	1-7/64	2-3/4	1.3346	0.3150	SA 206-19		1.25
	SAT 206-20																SA 206-20		1.22
35 1-1/4 1-5/16 1-3/8 1-7/16	SAT 207	16	13	64	37	22	64	12	89	102	129	37	30	78	37.5	8.5	SA 207	T 207	1.61
	SAT 207-20																SA 207-20		1.67
	SAT 207-21																SA 207-21	T 207	1.64
	SAT 207-22	5/8	3/64	2-3/64	1-29/64	55/64	2-3/64	15/32	3-1/2	4-1/64	5-5/64	1-29/64	1-3/16	3-5/64	1.4764	0.3543	SA 207-22		1.62
	SAT 207-23																SA 207-23		1.59
40 1-1/2	SAT 208	19	16	83	49	29	83	16	102	114	144	49	33	88	40.5	9.5	SA 208	T 208	2.32
	SAT 208-24	3/4	5/8	3-17/64	1-59/64	1-9/64	3-17/64	5/8	4-1/64	4-31/64	5-43/64	1-59/64	1-19/64	3-15/32	1.5945	0.3740	SA 208-24	T 208	2.35
45 1-5/8 1-11/16 1-3/4	SAT 209	19	16	83	49	29	83	16	102	117	144	49	35	87	42.2	10.0	SA 209	T 209	2.29
	SAT 209-26																SA 209-26		2.42
	SAT 209-27	3/4	5/8	3-17/64	1-59/64	1-9/64	3-17/64	5/8	4-1/64	4-39/64	5-43/64	1-59/64	1-3/8	3-27/64	1.6614	0.3937	SA 209-27	T 209	2.36
	SAT 209-28																SA 209-28		2.33
50 1-7/8 1-15/16 2	SAT 210	19	16	83	49	29	86	16	102	117	149	49	37	90	43.7	10.5	SA 210	T 210	2.50
	SAT 210-30																SA 210-30		2.55
	SAT 210-31	3/4	5/8	3-17/64	1-59/64	1-9/64	3-25/64	5/8	4-1/64	4-39/64	5-55/64	1-59/64	1-29/64	3-35/64	1.7205	0.4134	SA 210-31	T 210	2.53
	SAT 210-32																SA 210-32		2.47
55 2 2-1/16 2-1/8 2-3/16	SAT 211	25	19	102	64	35	95	22	130	146	171	64	38	106	48.4	11.5	SA 211	T 211	3.54
	SAT 211-32																SA 211-32		3.85
	SAT 211-33																SA 211-33	T 211	3.80
	SAT 211-34	63/64	3/4	4-1/64	2-3/64	1-3/8	3-47/64	55/64	5-1/8	5-3/4	6-47/64	2-3/64	1-1/2	4-11/64	1.9055	0.4528	SA 211-34		3.63
	SAT 211-35																SA 211-35		3.48



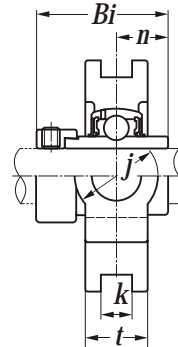
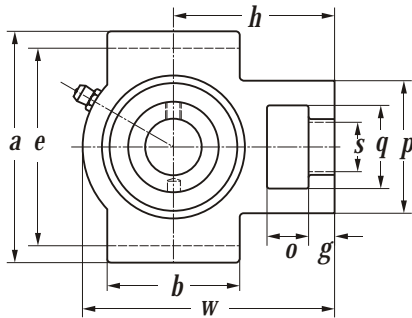
Technical Information



Shaft dia. mm inch	Unit number	Nominal dimensions															Bearing number	Housing number	Mass of unit Kg
		mm		inch															
		<i>o</i>	<i>g</i>	<i>p</i>	<i>q</i>	<i>s</i>	<i>b</i>	<i>k</i>	<i>e</i>	<i>a</i>	<i>w</i>	<i>j</i>	<i>t</i>	<i>h</i>	<i>Bi</i>	<i>n</i>			
20 3/4	UELST 204	16	10	51	32	19	51	13.5	76	89	94	32	21	61	43.5	17.0	UEL 204	ST 204	0.78
	UELST 204-12	5/8	25/64	2-1/64	1-17/64	3/4	2-1/64	17/32	2-63/64	3-1/2	3-45/64	1-17/64	53/64	2-13/32	1.7126	0.6693	UEL 204-12	ST 204	0.79
25 13/16 7/8 15/16 1	UELST 205	16	10	51	32	19	51	13.5	76	89	97	32	24	62	44.3	17.4	UEL 205	ST 205	0.87
	UELST 205-13																UEL 205-13		0.93
	UELST 205-14	5/8	25/64	2-1/64	1-17/64	3/4	2-1/64	17/32	2-63/64	3-1/2	3-13/16	1-17/64	15/16	2-7/16	1.7441	0.6850	UEL 205-14	ST 205	0.91
	UELST 205-15																UEL 205-15		0.89
	UELST 205-16																UEL 205-16		0.86
30 1-1/16 1-1/8 1-3/16 1-1/4	UELST 206	16	10	56	37	22	57	13.5	89	102	113	37	28	70	48.3	18.2	UEL 206	ST 206	1.35
	UELST 206-17																UEL 206-17		1.40
	UELST 206-18	5/8	25/64	2-13/64	1-29/64	55/64	2-1/4	17/32	3-1/2	4-1/64	4-29/64	1-29/64	1-7/64	2-3/4	1.9016	0.7165	UEL 206-18	ST 206	1.37
	UELST 206-19																UEL 206-19		1.34
	UELST 206-20																UEL 206-20		1.32
35 1-1/4 1-5/16 1-3/8 1-7/16	UELST 207	16	13	64	37	22	64	13.5	89	102	129	37	30	78	51.1	18.8	UEL 207	ST 207	1.71
	UELST 207-20																UEL 207-20		1.79
	UELST 207-21	5/8	3/64	2-3/64	1-29/64	55/64	2-3/64	17/32	3-1/2	4-1/64	5-5/64	1-29/64	1-3/16	3-5/64	2.0118	0.7402	UEL 207-21	ST 207	1.76
	UELST 207-22																UEL 207-22		1.72
	UELST 207-23																UEL 207-23		1.69
40 1-1/2	UELST 208	19	16	83	49	29	83	17.5	101	114	144	49	33	88	56.3	21.4	UEL 208	ST 208	2.44
	UELST 208-24	3/4	5/8	3-17/64	1-59/64	1-9/64	3-17/64	11/16	3-31/32	4-31/64	5-43/64	1-59/64	1-19/64	3-15/32	2.2165	0.8425	UEL 208-24	ST 208	2.49
45 1-5/8 1-11/16 1-3/4	UELST 209	19	16	83	49	29	83	17.5	101	117	144	49	35	87	56.3	21.4	UEL 209	ST 209	2.44
	UELST 209-26																UEL 209-26		2.55
	UELST 209-27	3/4	5/8	3-17/64	1-59/64	1-9/64	3-17/64	11/16	3-31/32	4-39/64	5-43/64	1-59/64	1-3/8	3-27/64	2.2165	0.8425	UEL 209-27	ST 209	2.50
	UELST 209-28																UEL 209-28		2.46
50 1-7/8 1-15/16 2	UELST 210	19	16	83	49	29	86	17.5	101	117	149	49	37	90	62.7	24.6	UEL 210	ST 210	2.70
	UELST 210-30																UEL 210-30		2.79
	UELST 210-31	3/4	5/8	3-17/64	1-59/64	1-9/64	3-25/64	11/16	3-31/32	4-39/64	5-55/64	1-59/64	1-29/64	3-35/64	2.4685	0.9685	UEL 210-31	ST 210	2.73
	UELST 210-32																UEL 210-32		2.67
55 2 2-1/16 2-1/8 2-3/16	UELST 211	25	19	102	64	35	95	27.0	130	146	171	64	38	106	71.3	27.7	UEL 211	ST 211	4.04
	UELST 211-32																UEL 211-32		4.23
	UELST 211-33	63/64	3/4	4-1/64	2-3/64	1-3/8	3-47/64	1-1/16	5-1/8	5-3/4	6-47/64	2-3/64	1-1/2	4-11/64	2.8071	1.0906	UEL 211-33	ST 211	4.17
	UELST 211-34																UEL 211-34		4.09
	UELST 211-35																UEL 211-35		4.01



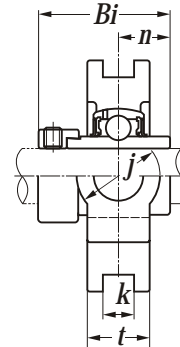
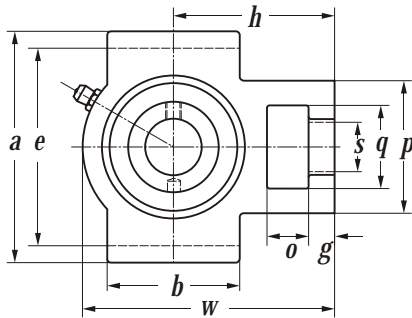
STANDARD DUTY TAKE - UP UNITS CAST HOUSING
ECCENTRIC LOCKING COLLAR TYPE



Shaft dia. mm inch	Unit number	Nominal dimensions															Bearing number	Housing number	Mass of unit Kg
		mm		inch															
		<i>o</i>	<i>g</i>	<i>p</i>	<i>q</i>	<i>s</i>	<i>b</i>	<i>k</i>	<i>e</i>	<i>a</i>	<i>w</i>	<i>j</i>	<i>t</i>	<i>h</i>	<i>Bi</i>	<i>n</i>			
60	UELST 212	32	19	102	64	35	102	27.0	130	146	194	64	42	119	77.7	30.9	UEL 212	ST 212	5.11
2-1/4	UELST 212-36																UEL 212-36		5.27
2-5/16	UELST 212-37	1-17/64	3/4	4-1/64	2-3/64	1-3/8	4-1/64	1-1/16	5-1/8	5-3/4	7-41/64	2-3/64	1-21/32	4-11/16	3.0591	1.2165	UEL 212-37	ST 212	5.18
2-3/8	UELST 212-38																UEL 212-38		5.09
2-7/16	UELST 212-39																UEL 212-39		5.00
65	UELST 213	32	21	111	70	41	121	27.0	151	167	224	70	44	137	85.7	34.1	UEL 213	ST 213	7.20
2-1/2	UELST 213-40	1-17/64	53/64	4-3/8	2-3/4	1-39/64	4-49/64	1-1/16	5-15/16	6-37/64	8-13/16	2-3/4	1-47/64	5-25/64	3.3740	1.3425	UEL 213-40	ST 213	7.30
2-9/16	UELST 213-41																UEL 213-41		7.19
70	UELST 214	32	21	111	70	41	121	27.0	151	167	224	70	46	137	85.7	34.1	UEL 214	ST 214	7.26
2-5/8	UELST 214-42																UEL 214-42		7.50
2-11/16	UELST 214-43	1-17/64	53/64	4-3/8	2-3/4	1-39/64	4-49/64	1-1/16	5-15/16	6-37/64	8-13/16	2-3/4	1-13/16	5-25/64	3.3740	1.3425	UEL 214-43	ST 214	7.39
2-3/4	UELST 214-44																UEL 214-44		7.27
75	UELST 215	32	21	111	70	41	121	27.0	151	167	232	70	48	140	92.1	37.3	UEL 215	ST 215	7.73
2-13/16	UELST 215-45																UEL 215-45		8.02
2-7/8	UELST 215-46	1-17/64	53/64	4-3/8	2-3/4	1-39/64	4-49/64	1-1/16	5-15/16	6-37/64	9-9/64	2-3/4	1-57/64	5-3/64	3.6260	1.4685	UEL 215-46	ST 215	7.89
2-15/16	UELST 215-47																UEL 215-47		7.76
1-7/16	UELST 215-48																UEL 215-48		7.63



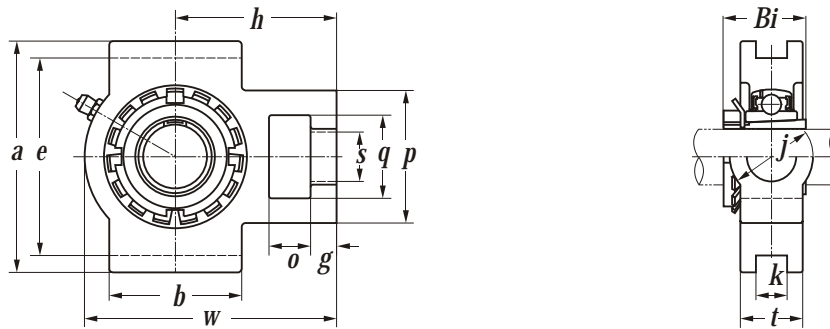
Technical Information



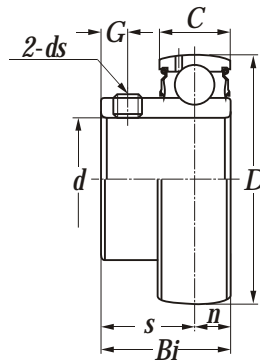
Shaft dia. mm inch	Unit number	Nominal dimensions															Bearing number	Housing number	Mass of unit Kg
		mm		inch															
		<i>o</i>	<i>g</i>	<i>p</i>	<i>q</i>	<i>s</i>	<i>b</i>	<i>k</i>	<i>e</i>	<i>a</i>	<i>w</i>	<i>j</i>	<i>t</i>	<i>h</i>	<i>Bi</i>	<i>n</i>			
55 2 2-1/16 2-1/8 2-3/16	UEL211	25	21	102	64	35	95	22	130	146	171	64	38	106	71.3	27.7	UEL211	T211	4.06
	UEL211-32																UEL211-32		4.25
	UEL211-33	63/64	3/4	4-1/64	2-3/64	1-3/8	3-47/64	55/64	5-1/8	5-3/4	6-47/64	2-3/64	1-1/2	4-11/64	2.8071	1.0906	UEL211-33	T211	4.19
	UEL211-34																UEL211-34		4.11
	UEL211-35																UEL211-35		4.03
60 2-1/4 2-5/16 2-3/8 2-7/16	UEL212	32	21	102	64	35	102	22	130	146	194	64	42	119	77.7	30.9	UEL212	T212	5.13
	UEL212-36																UEL212-36		5.29
	UEL212-37	1-17/64	3/4	4-1/64	2-3/64	1-3/8	4-1/64	55/64	5-1/8	5-3/4	7-41/64	2-3/64	1-21/32	4-11/16	3.0591	1.2165	UEL212-37	T212	5.20
	UEL212-38																UEL212-38		5.11
	UEL212-39																UEL212-39		5.02
65 2-1/2 2-9/16	UEL213	32	23	111	70	41	121	26	151	167	224	70	44	137	85.7	34.1	UEL213	T213	7.21
	UEL213-40	1-17/64	53/64	4-3/8	2-3/4	1-39/64	4-49/64	1-1/64	5-15/16	6-37/64	8-13/16	2-3/4	1-47/64	5-25/64	3.3740	1.3425	UEL213-40	T213	7.31
	UEL213-41																UEL213-41		7.20
70 2-5/8 2-11/16 2-3/4	UEL214	32	23	111	70	41	121	26	151	167	224	70	46	137	85.7	34.1	UEL214	T214	7.27
	UEL214-42																UEL214-42		7.51
	UEL214-43	1-17/64	53/64	4-3/8	2-3/4	1-39/64	4-49/64	1-1/64	5-15/16	6-37/64	8-13/16	2-3/4	1-13/16	5-25/64	3.3740	1.3425	UEL214-43	T214	7.40
	UEL214-44																UEL214-44		7.28
75 2-13/16 2-7/8 2-15/16 3	UEL215	32	23	111	70	41	121	26	151	167	232	70	48	140	92.1	37.3	UEL215	T215	7.74
	UEL215-45																UEL215-45		8.03
	UEL215-46	1-17/64	53/64	4-3/8	2-3/4	1-39/64	4-49/64	1-1/64	5-15/16	6-37/64	9-9/64	2-3/4	1-57/64	5-3/64	3.6260	1.4685	UEL215-46	T215	7.90
	UEL215-47																UEL215-47		7.77
	UEL215-48																UEL215-48		7.64



Technical Information



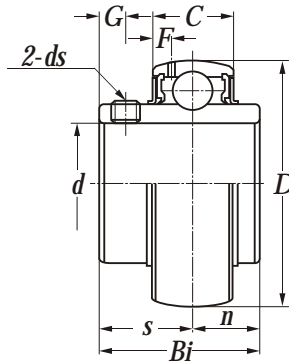
Shaft dia. mm	Unit number	Nominal dimensions mm														Bearing number	Housing number	Mass of unit Kg
		<i>o</i>	<i>g</i>	<i>p</i>	<i>q</i>	<i>s</i>	<i>b</i>	<i>k</i>	<i>e</i>	<i>a</i>	<i>w</i>	<i>j</i>	<i>t</i>	<i>h</i>	<i>Bi</i>			
20	UKT 205	16	12	51	32	19	51	12	76	89	97	32	24	62	35	UK 205	T 205	0.77
25	UKT 206	16	12	56	37	22	57	12	89	102	113	37	28	70	38	UK 206	T 206	1.19
30	UKT 207	16	15	64	37	22	64	12	89	102	129	37	30	78	43	UK 207	T 207	1.48
35	UKT 208	19	18	83	49	29	83	16	102	114	144	49	33	88	46	UK 208	T 208	2.15
40	UKT 209	19	18	83	49	29	83	16	102	117	144	49	35	87	50	UK 209	T 209	2.13
45	UKT 210	19	18	83	49	29	86	16	102	117	149	49	37	90	55	UK 210	T 210	2.29
50	UKT 211	25	21	102	64	35	95	22	130	146	171	64	38	106	59	UK 211	T 211	3.44
55	UKT 212	32	21	102	64	35	102	22	130	146	194	64	42	119	62	UK 212	T 212	4.29
60	UKT 213	32	23	111	70	41	121	26	151	167	224	70	44	137	65	UK 213	T 213	6.16


Technical Information


Shaft dia. mm inch	Bearing number	Nominal dimensions mm inch								Basic load ratings N		Weight Kg
		<i>d</i>	<i>D</i>	<i>Bi</i>	<i>C</i>	<i>n</i>	<i>s</i>	<i>G</i>	<i>ds</i>	dynamic <i>Cr</i>	static <i>Cor</i>	
12 1/2	SB 201 SB 201-8	12 0.5000	40 1.5748	22 0.8661	12 0.4724	6.0 0.2362	16.0 0.6299	4.0 0.1575	M 5X0.8 10#-32 UNF	9,600 9,600	4,600 4,600	0.10 0.10
15 9/16 5/8	SB 202 SB 202-9 SB 202-10	15 0.5625 0.6250	40 1.5748	22 0.8661	12 0.4724	6.0 0.2362	16.0 0.6299	4.0 0.1575	M 5X0.8 10#-32 UNF	9,600 9,600	4,600 4,600	0.09 0.09 0.09
17 11/16	SB 203 SB 203-11	17 0.6875	40 1.5748	22 0.8661	12 0.4724	6.0 0.2362	16.0 0.6299	4.0 0.1575	M 5X0.8 10#-32 UNF	9,600 9,600	4,600 4,600	0.08 0.08
20 3/4	SB 204 SB 204-12	20 0.7500	47 1.8504	25 0.9843	14 0.5512	7.0 0.2756	18.0 0.7087	5.0 0.1969	M 6X1 1/4-28 UNF	12,800 12,800	6,650 6,650	0.13 0.15
25 13/16 7/8 15/16 1	SB 205 SB 205-13 SB 205-14 SB 205-15 SB 205-16	25 0.8125 0.8750 0.9375 1.0000	52 2.0472	27 1.0630	15 0.5906	7.5 0.2953	19.5 0.7677	5.5 0.2165	M 6X1 1/4-28 UNF	14,000 14,000	7,850 7,850	0.17 0.20 0.19 0.18 0.16
30 1-1/16 1-1/8 1-3/16 1-1/4	SB 206 SB 206-17 SB 206-18 SB 206-19 SB 206-20	30 1.0625 1.1250 1.1875 1.2500	62 2.4409	29 1.1417	16 0.6299	8.0 0.3150	21.0 0.8268	6.0 0.2362	M 6X1 1/4-28 UNF	19,500 19,500	11,300 11,300	0.26 0.28 0.27 0.25 0.24
35 1-1/4 1-5/16 1-3/8 1-7/16	SB 207 SB 207-20 SB 207-21 SB 207-22 SB 207-23	35 1.2500 1.3125 1.3750 1.4375	72 2.8346	32 1.2598	17 0.6693	8.5 0.3346	23.5 0.9252	6.5 0.2559	M 6X1 1/4-28 UNF	25,700 25,700	15,300 15,300	0.38 0.43 0.42 0.41 0.37
40 1-1/2 1-9/16	SB 208 SB 208-24 SB 208-25	40 1.5000 1.5625	80 3.1496	34 1.3386	19 0.7480	9.5 0.3740	24.5 0.9646	7.0 0.2756	M 8X1 5/16-24 UNF	29,100 29,100	17,800 17,800	0.50 0.54 0.51



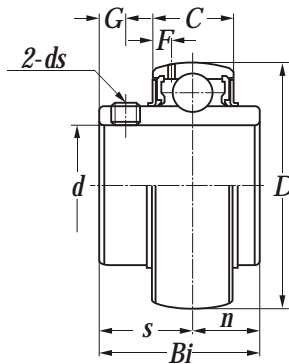
Technical Information



Shaft dia. mm inch	Bearing number	Nominal dimensions mm inch									Basic load ratings N		Weight Kg
		<i>d</i>	<i>D</i>	<i>Bi</i>	<i>C</i>	<i>n</i>	<i>s</i>	<i>G</i>	<i>F</i>	<i>ds</i>	dynamic Cr	static Cor	
12 1/2	UC 201 UC 201-8	12 0.5000	47 1.8504	31.0 1.2205	16 0.6299	12.7 0.5000	18.3 0.7205	5.0 0.1969	3.5 0.1378	M 5X0.8 10#-32 UNF	12,800 12,800	6,650 6,650	0.21 0.21
15 9/16 5/8	UC 202 UC 202-9 UC 202-10	15 0.5625 0.6250	47 1.8504	31.0 1.2205	16 0.6299	12.7 0.5000	18.3 0.7205	5.0 0.1969	3.5 0.1378	M 5X0.8 10#-32 UNF	12,800 12,800	6,650 6,650	0.20 0.20 0.20
17 11/16	UC 203 UC 203-11	17 0.6875	47 1.8504	31.0 1.2205	16 0.6299	12.7 0.5000	18.3 0.7205	5.0 0.1969	3.5 0.1378	M 5X0.8 10#-32 UNF	12,800 12,800	6,650 6,650	0.19 0.19
20 3/4	UC 204 UC 204-12	20 0.7500	47 1.8504	31.0 1.2205	16 0.6299	12.7 0.5000	18.3 0.7205	5.0 0.1969	3.5 0.1378	M 6X1 1/4-28 UNF	12,800 12,800	6,650 6,650	0.17 0.18
25 13/16 7/8 15/16 1	UC 205 UC 205-13 UC 205-14 UC 205-15 UC 205-16	25 0.8125 0.8750 0.9375 1.0000	52 2.0472	34.0 1.3386	17 0.6693	14.3 0.5630	19.7 0.7756	5.5 0.2165	4.0 0.1575	M 6X1 1/4-28 UNF	14,000 14,000	7,850 7,850	0.21 0.25 0.23 0.22 0.20
30 1-1/16 1-1/8 1-3/16 1-1/4	UC 206 UC 206-17 UC 206-18 UC 206-19 UC 206-20	30 1.0625 1.1250 1.1875 1.2500	62 2.4409	38.1 1.5000	19 0.7480	15.9 0.6260	22.2 0.8740	6.0 0.2362	4.2 0.1654	M 6X1 1/4-28 UNF	19,500 19,500	11,300 11,300	0.32 0.36 0.34 0.31 0.30
35 1-1/4 1-5/16 1-3/8 1-7/16	UC 207 UC 207-20 UC 207-21 UC 207-22 UC 207-23	35 1.2500 1.3125 1.3750 1.4375	72 2.8346	42.9 1.6890	20 0.7874	17.5 0.6890	25.4 1.0000	6.5 0.2559	4.3 0.1693	M 8X1 5/16-24 UNF	25,700 25,700	15,300 15,300	0.47 0.53 0.51 0.48 0.45
40 1-1/2	UC 208 UC 208-24	40 1.5000	80 3.1496	49.2 1.9370	21 0.8268	19.0 0.7480	30.2 1.1890	8.0 0.3150	4.2 0.1654	M 8X1 5/16-24 UNF	29,100 29,100	17,800 17,800	0.64 0.68
45 1-5/8 1-11/16 1-3/4	UC 209 UC 209-26 UC 209-27 UC 209-28	45 1.6250 1.6875 1.7500	85 3.3465	49.2 1.9370	22 0.8661	19.0 0.7480	30.2 1.1890	8.0 0.3150	4.2 0.1654	M 8X1 5/16-24 UNF	32,500 32,500	20,400 20,400	0.68 0.78 0.74 0.70
50 1-7/8 1-15/16 2	UC 210 UC 210-30 UC 210-31 UC 210-32	50 1.8750 1.9375 2.0000	90 3.5433	51.6 2.0315	23 0.9055	19.0 0.7480	32.6 1.2835	9.0 0.3543	4.8 0.1890	M 10X1.25 3/8-24 UNF	35,000 35,000	23,200 23,200	0.80 0.87 0.82 0.78



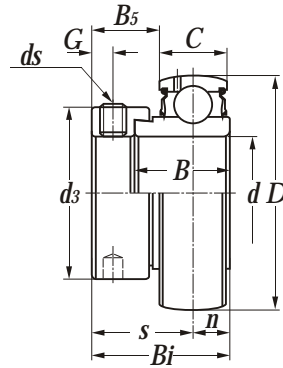
STANDARD DUTY SPHERICAL OUTSIDE SURFACE BALL BEARINGS
SET SCREWS TYPE



Shaft dia. mm inch	Bearing number	Nominal dimensions mm inch									Basic load ratings N		Weight Kg
		<i>d</i>	<i>D</i>	<i>Bi</i>	<i>C</i>	<i>n</i>	<i>s</i>	<i>G</i>	<i>F</i>	<i>ds</i>	dynamic Cr	static Cor	
55	UC 211	55	100	55.6	25	22.2	33.4	9.0	5.3	M 10X1.25	43,500	29,200	1.12
2	UC 211-32	2.0000											1.27
2-1/16	UC 211-33	2.0625	3.9370	2.1890	0.9843	0.8740	1.3150	0.3543	0.2087	3/8-24 UNF	43,500	29,200	1.22
2-1/8	UC 211-34	2.1250											1.17
2-3/16	UC 211-35	2.1875											1.10
60	UC 212	60	110	65.1	27	25.4	39.7	10.5	5.3	M 10X1.25	52,500	36,000	1.53
2-1/4	UC 212-36	2.2500											1.67
2-5/16	UC 212-37	2.3125	4.3307	2.5630	1.0630	1.0000	1.5630	0.4134	0.2087	3/8-24 UNF	52,500	36,000	1.60
2-3/8	UC 212-38	2.3750											1.51
2-7/16	UC 212-39	2.4375											1.45
65	UC 213	65	120	65.1	28	25.4	39.7	12.0	6.0	M 12X1.25	57,500	40,000	1.86
2-1/2	UC 213-40	2.5000											1.94
2-9/16	UC 213-41	2.5625	4.7244	2.5630	1.1024	1.0000	1.5630	0.4724	0.2362	7/16-20 UNF	57,500	40,000	1.78
70	UC 214	70	125	74.6	30	30.2	44.4	12.0	6.0	M 12X1.25	62,000	44,000	2.05
2-5/8	UC 214-42	2.6250											2.08
2-11/16	UC 214-43	2.6875	4.9213	2.9370	1.1811	1.1890	1.7480	0.4724	0.2362	7/16-20 UNF	62,000	44,000	2.07
2-3/4	UC 214-44	2.7500											2.06
75	UC 215	75	130	77.8	30	33.3	44.5	12.0	6.0	M 12X1.25	66,000	49,500	2.21
2-13/16	UC 215-45	2.8125											2.30
2-7/8	UC 215-46	2.8750	5.1181	3.0630	1.1811	1.3110	1.7520	0.4724	0.2362	7/16-20 UNF	66,000	49,500	2.26
2-15/16	UC 215-47	2.9375											2.24
3	UC 215-48	3.0000											2.13
80	UC 216	80	140	82.6	33	33.3	49.3	14.0	6.3	M 12X1.25	72,500	53,000	2.79
3-1/16	UC 216-49	3.0625											2.88
3-1/8	UC 216-50	3.1250	5.5118	3.2520	1.2992	1.3110	1.9409	0.5512	0.2480	7/16-20 UNF	72,500	53,000	2.84
3-3/16	UC 216-51	3.1875											2.71
85	UC 217	85	150	85.7	35	34.1	51.6	14.0	6.5	M 12X1.25	83,500	64,000	3.38
3-1/4	UC 217-52	3.2500											3.60
3-5/16	UC 217-53	3.3125	5.9055	3.3740	1.3780	1.3425	2.0315	0.5512	0.2559	7/16-20 UNF	83,500	64,000	3.46
3-7/16	UC 217-55	3.4375											3.21
90	UC 218	90	160	96.0	37	39.7	56.3	14.0	6.5	M 12X1.25	96,000	71,500	4.45
3-1/2	UC 218-56	3.5000	6.2992	3.7795	1.4567	1.5630	2.2165	0.5512	0.2559	7/16-20 UNF	96,000	71,500	4.56



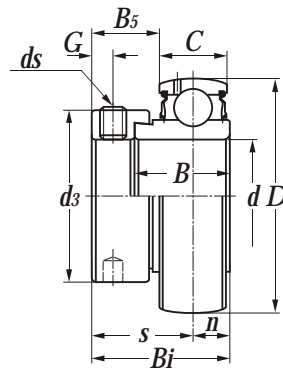
Technical Information



Shaft dia. mm inch	Bearing number	Nominal dimensions mm inch											Basic load ratings N		Weight Kg
		d	D	Bi	B	C	n	s	G	ds	d3	B5	Cr	Cor	
12 1/2	SA 201 SA 201-8	12 0.5000	40 1.5748	28.5 1.1220	19.0 0.7480	12 0.4724	6.0 0.2362	22.5 0.8858	4.8 0.1890	M 6X1 1/4-28 UNF	28.6 1.1260	13.5 0.5315	9,600 9,600	4,600 4,600	0.14 0.14
15 9/16 5/8	SA 202 SA 202-9 SA 202-10	15 0.5625 0.6250	40 1.5748	28.5 1.1220	19.0 0.7480	12 0.4724	6.0 0.2362	22.5 0.8858	4.8 0.1890	M 6X1 1/4-28 UNF	28.6 1.1260	13.5 0.5315	9,600 9,600	4,600 4,600	0.13 0.13 0.13
17 11/16	SA 203 SA 203-11	17 0.6875	40 1.5748	28.5 1.1220	19.0 0.7480	12 0.4724	6.0 0.2362	22.5 0.8858	4.8 0.1890	M 6X1 1/4-28 UNF	28.6 1.1260	13.5 0.5315	9,600 9,600	4,600 4,600	0.12 0.12
20 3/4	SA 204 SA 204-12	20 0.7500	47 1.8504	29.5 1.1614	20.0 0.7874	14 0.5512	7.0 0.2756	22.5 0.8858	4.8 0.1890	M 6X1 1/4-28 UNF	33.3 1.3110	13.5 0.5315	12,800 12,800	6,650 6,650	0.18 0.19
25 13/16 7/8 15/16 1	SA 205 SA 205-13 SA 205-14 SA 205-15 SA 205-16	25 0.8125 0.8750 0.9375 1.0000	52 2.0472	30.5 1.2008	21.0 0.8268	15 0.5906	7.5 0.2953	23.0 0.9055	4.8 0.1890	M 6X1 1/4-28 UNF	38.1 1.5000	13.5 0.5315	14,000 14,000	7,850 7,850	0.20 0.23 0.22 0.21 0.18
30 1-1/16 1-1/8 1-3/16 1-1/4	SA 206 SA 206-17 SA 206-18 SA 206-19 SA 206-20	30 1.0625 1.1250 1.1875 1.2500	62 2.4409	33.9 1.3346	22.0 0.8661	16 0.6299	8.0 0.3150	25.9 1.0197	6.0 0.2362	M 6X1 1/4-28 UNF	44.5 1.7520	15.9 0.6260	19,500 19,500	11,300 11,300	0.33 0.37 0.35 0.31 0.28
35 1-1/4 1-5/16 1-3/8 1-7/16	SA 207 SA 207-20 SA 207-21 SA 207-22 SA 207-23	35 1.2500 1.3125 1.3750 1.4375	72 2.8346	37.5 1.4764	24.0 0.9449	17 0.6693	8.5 0.3346	29.0 1.1417	6.8 0.2677	M 8X1 5/16-24 UNF	55.6 2.1890	17.5 0.6890	25,700 25,700	15,300 15,300	0.50 0.56 0.53 0.51 0.48
40 1-1/2	SA 208 SA 208-24	40 1.5000	80 3.1496	40.5 1.5945	27.0 1.0630	19 0.7480	9.5 0.3740	31.0 1.2205	6.8 0.2677	M 8X1 5/16-24 UNF	60.3 2.3740	18.3 0.7205	29,100 29,100	17,800 17,800	0.65 0.68
45 1-5/8 1-11/16 1-3/4	SA 209 SA 209-26 SA 209-27 SA 209-28	45 1.6250 1.6875 1.7500	85 3.3465	42.2 1.6614	28.7 1.1299	20 0.7874	10.0 0.3937	32.2 1.2677	6.8 0.2677	M 8X1 5/16-24 UNF	63.5 2.5000	18.3 0.7205	32,500 32,500	20,400 20,400	0.69 0.82 0.76 0.73
50 1-7/8 1-15/16 2	SA 210 SA 210-30 SA 210-31 SA 210-32	50 1.8750 1.9375 2.0000	90 3.5433	43.7 1.7205	30.2 1.1890	21 0.8268	10.5 0.4134	33.2 1.3071	6.8 0.2677	M 8X1 5/16-24 UNF	69.9 2.7520	18.3 0.7205	35,000 35,000	23,200 23,200	0.80 0.85 0.83 0.77



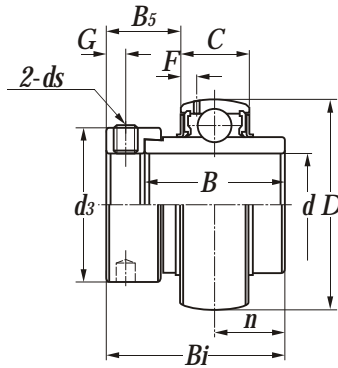
STANDARD DUTY SPHERICAL OUTSIDE SURFACE BALL BEARINGS
ECCENTRIC LOCKING COLLAR TYPE



Shaft dia. mm inch	Bearing number	Nominal dimensions mm inch											Basic load ratings N		Weight Kg
		<i>d</i>	<i>D</i>	<i>Bi</i>	<i>B</i>	<i>C</i>	<i>n</i>	<i>s</i>	<i>G</i>	<i>ds</i>	<i>d3</i>	<i>B5</i>	dynamic <i>Cr</i>	static <i>Cor</i>	
55	SA 211	55	100	48.4	32.4	23	11.5	36.9	8.0	M 10X1.25	76.2	18.3	43,500	29,200	0.87
2	SA 211-32	2.0000													1.18
2-1/16	SA 211-33	2.0625	3.9370	1.9055	1.2756	0.9055	0.4528	1.4528	0.3150	3/8-24 UNF	3.0000	0.7205	43,500	29,200	1.13
2-1/8	SA 211-34	2.1250													0.96
2-3/16	SA 211-35	2.1875													0.81



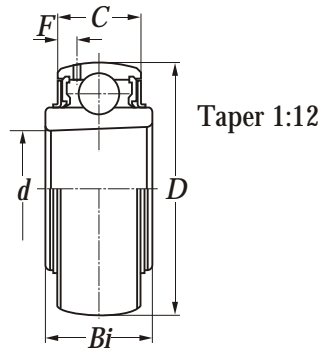
Technical Information



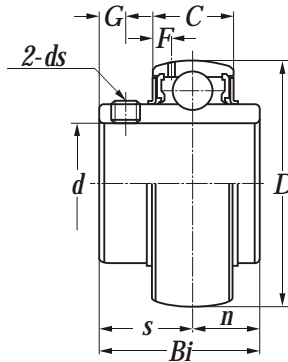
Shaft dia. mm inch	Bearing number	Nominal dimensions mm inch											Basic load ratings N		Weight Kg
		d	D	Bi	C	n	B	G	ds	B5	F	ds	dynamic Cr	static Cor	
12 1/2	UEL 201	12	47	43.5	16	17.0	34.0	4.8	33.3	13.5	3.5	M 6X1	12,800	6,650	0.27
	UEL 201-8	0.5000	1.8504	1.7126	0.6299	0.6693	1.3386	0.1890	1.3110	0.5315	0.1378	1/4-28 UNF	12,800	6,650	0.27
15 9/16 5/8	UEL 202	15	47	43.5	16	17.0	34.0	4.8	33.3	13.5	3.5	M 6X1	12,800	6,650	0.25
	UEL 202-9 UEL 202-10	0.5625 0.6250	1.8504	1.7126	0.6299	0.6693	1.3386	0.1890	1.3110	0.5315	0.1378	1/4-28 UNF	12,800	6,650	0.25 0.25
17 11/16	UEL 203	17	47	43.5	16	17.0	34.0	4.8	33.3	13.5	3.5	M 6X1	12,800	6,650	0.24
	UEL 203-11	0.6875	1.8504	1.7126	0.6299	0.6693	1.3386	0.1890	1.3110	0.5315	0.1378	1/4-28 UNF	12,800	6,650	0.24
20 3/4	UEL 204	20	47	43.5	16	17.0	34.0	4.8	33.3	13.5	3.5	M 6X1	12,800	6,650	0.22
	UEL 204-12	0.7500	1.8504	1.7126	0.6299	0.6693	1.3386	0.1890	1.3110	0.5315	0.1378	1/4-28 UNF	12,800	6,650	0.23
25 13/16 7/8 15/16 1	UEL 205	25	52	44.3	17	17.4	34.8	4.8	38.1	13.5	4.0	M 6X1	14,000	7,850	0.25
	UEL 205-13	0.8125													0.31
	UEL 205-14	0.8750	2.0472	1.7441	0.6693	0.6850	1.3701	0.1890	1.5000	0.5315	0.1575	1/4-28 UNF	14,000	7,850	0.29
	UEL 205-15 UEL 205-16	0.9375 1.0000													0.27 0.24
30 1-1/16 1-1/8 1-3/16 1-1/4	UEL 206	30	62	48.3	19	18.2	36.4	6.0	44.5	15.9	4.2	M 8X1	19,500	11,300	0.41
	UEL 206-17	1.0625													0.46
	UEL 206-18	1.1250	2.4409	1.9016	0.7480	0.7165	1.4331	0.2362	1.7520	0.6260	0.1654	5/16-24 UNF	19,500	11,300	0.43
	UEL 206-19 UEL 206-20	1.1875 1.2500													0.40 0.38
35 1-1/4 1-5/16 1-3/8 1-7/16	UEL 207	35	72	51.1	20	18.8	37.6	6.8	55.6	17.5	4.3	M 8X1	25,700	15,300	0.60
	UEL 207-20	1.2500													0.68
	UEL 207-21	1.3125	2.8346	2.0118	0.7874	0.7402	1.4803	0.2677	2.1890	0.6890	0.1693	5/16-24 UNF	25,700	15,300	0.65
	UEL 207-22 UEL 207-23	1.3750 1.4375													0.61 0.58
40 1-1/2	UEL 208	40	80	56.3	21	21.4	42.8	6.8	60.3	18.3	4.2	M 8X1	29,100	17,800	0.78
	UEL 208-24	1.5000	3.1496	2.2165	0.8268	0.8425	1.6850	0.2677	2.3740	0.7205	0.1654	5/16-24 UNF	29,100	17,800	0.83
45 1-5/8 1-11/16 1-3/4	UEL 209	45	85	56.3	22	21.4	42.8	6.8	63.5	18.3	4.2	M 8X1	32,500	20,400	0.85
	UEL 209-26	1.6250													0.96
	UEL 209-27 UEL 209-28	1.6875 1.7500	3.3464	2.2165	0.8661	0.8425	1.6850	0.2677	2.5000	0.7205	0.1654	5/16-24 UNF	32,500	20,400	0.91 0.87
50 1-7/8 1-15/16 2	UEL 210	50	90	62.7	23	24.6	49.2	6.8	69.9	18.3	4.8	M 8X1	35,000	23,200	1.01
	UEL 210-30	1.8750													1.10
	UEL 210-31 UEL 210-32	1.9375 2.0000	3.5433	2.4685	0.9055	0.9685	1.9370	0.2677	2.7520	0.7205	0.1890	5/16-24 UNF	35,000	23,200	1.04 0.98



Technical Information



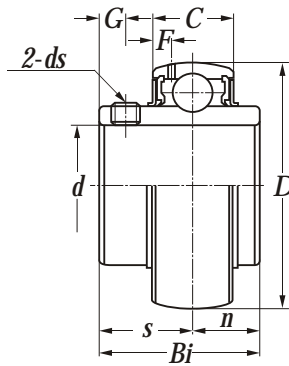
Shaft dia. mm	Bearing number	Nominal dimensions mm					Basic load ratings N		Weight Kg
		<i>d</i>	<i>D</i>	<i>B</i>	<i>C</i>	<i>F</i>	dynamic <i>C_r</i>	static <i>C_{or}</i>	
20	UK 205	25	52	21	17	4.2	14,000	7,850	0.15
25	UK 206	30	62	25	19	4.5	19,500	11,300	0.25
30	UK 207	35	72	27	20	4.2	25,700	15,300	0.37
35	UK 208	40	80	29	21	4.2	29,100	17,800	0.48
40	UK 209	45	85	30	22	4.2	32,500	20,400	0.53
45	UK 210	50	90	31	23	5.0	35,000	23,200	0.59
50	UK 211	55	100	33	27	6.3	43,500	29,200	0.77
55	UK 212	60	110	36	27	5.3	52,500	36,000	1.03
60	UK 213	65	120	36	28	6.0	57,500	40,000	1.36


Technical Information


Shaft dia. mm inch	Bearing number	Nominal dimensions mm inch									Basic load ratings N		Weight Kg
		<i>d</i>	<i>D</i>	<i>Bi</i>	<i>C</i>	<i>n</i>	<i>s</i>	<i>G</i>	<i>F</i>	<i>ds</i>	dynamic <i>Cr</i>	static <i>Cor</i>	
25	UC X05	25	62	38.1	19	15.9	22.2	6.0	5.0	M 6X1	19,500	11,300	0.39
13/16	UC X05-13	0.8125											0.44
7/8	UC X05-14	0.8750	2.4409	1.5000	0.7480	0.6260	0.8740	0.2362	0.1969	1/4-28 UNF	19,500	11,300	0.42
15/16	UC X05-15	0.9375											0.40
1	UC X05-16	1.0000											0.38
30	UC X06	30	72	42.9	22	17.5	25.4	6.5	5.8	M 8X1	25,700	15,300	0.58
1-1/16	UC X06-17	1.0625											0.60
1-1/8	UC X06-18	1.1250	2.8346	1.6890	0.8661	0.6890	1.0000	0.2559	0.2283	5/16-24 UNF	25,700	15,300	0.59
1-3/16	UC X06-19	1.1875											0.56
1-1/4	UC X06-20	1.2500											0.55
35	UC X07	35	80	49.2	21	19.0	30.2	8.0	6.3	M 8X1	29,100	17,800	0.74
1-1/4	UC X07-20	1.2500											0.78
1-5/16	UC X07-21	1.3125	3.1496	1.9370	0.8268	0.7480	1.1890	0.3150	0.2480	5/16-24 UNF	29,100	17,800	0.77
1-3/8	UC X07-22	1.3750											0.76
1-7/16	UC X07-23	1.4375											0.72
40	UC X08	40	85	49.2	22	19.0	30.2	8.0	6.8	M 8X1	32,500	20,400	0.83
1-1/2	UC X08-24	1.5000	3.3465	1.9370	0.8661	0.7480	1.1890	0.3150	0.2677	5/16-24 UNF	32,500	20,400	0.87
45	UC X09	45	90	51.6	23	19.0	32.6	9.0	6.5	M 10X1.25	35,000	23,200	0.95
1-5/8	UC X09-26	1.6250											1.10
1-11/16	UC X09-27	1.6875	3.5433	2.0315	0.9055	0.7480	1.2835	0.3543	0.2559	3/8-24 UNF	35,000	23,200	1.01
1-3/4	UC X09-28	1.7500											0.97
50	UC X10	50	100	55.6	25	22.2	33.4	9.0	7.2	M 10X1.25	43,500	29,200	1.29
1-7/8	UC X10-30	1.8750											1.43
1-15/16	UC X10-31	1.9375	3.9370	2.1890	0.9843	0.8740	1.3150	0.3543	0.2835	3/8-24 UNF	43,500	29,200	1.32
2	UC X10-32	2.0000											1.26
55	UC X11	55	110	65.1	27	25.4	39.7	10.5	8.2	M 10X1.25	52,500	36,000	1.80
2	UC X11-32	2.0000											2.01
2-1/16	UC X11-33	2.0625	4.3307	2.5630	1.0630	1.0000	1.5630	0.4134	0.3228	3/8-24 UNF	52,500	36,000	1.98
2-1/8	UC X11-34	2.1250											1.95
2-3/16	UC X11-35	2.1875											1.78



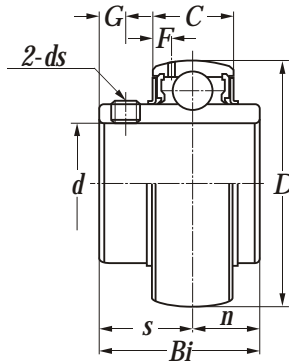
MEDIUM DUTY SPHERICAL OUTSIDE SURFACE BALL BEARINGS
SET SCREWS TYPE



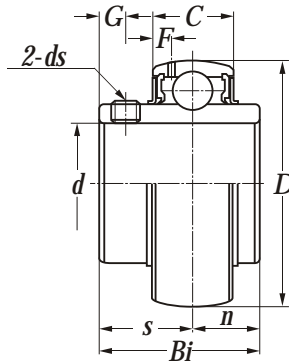
Shaft dia. mm inch	Bearing number	Nominal dimensions mm inch									Basic load ratings N		Weight Kg
		<i>d</i>	<i>D</i>	<i>Bi</i>	<i>C</i>	<i>n</i>	<i>s</i>	<i>G</i>	<i>F</i>	<i>ds</i>	dynamic <i>Cr</i>	static <i>Cor</i>	
60	UC X12	60	120	65.1	28	25.4	39.7	12	8.0	M 12X1.25	57,500	40,000	2.05
2-1/4	UC X12-36	2.2500											2.11
2-5/16	UC X12-37	2.3125	4.7244	2.5630	1.1024	1.0000	1.5630	0.4724	0.3150	7/16-20 UNF	57,500	40,000	2.08
2-3/8	UC X12-38	2.3750											2.03
2-7/16	UC X12-39	2.4375											1.95
65	UC X13	65	125	74.6	30	30.2	44.4	12	9.0	M 12X1.25	62,000	44,000	2.52
2-1/2	UC X13-40	2.5000	4.9213	2.9370	1.1811	1.1890	1.7480	0.4724	0.3543	7/16-20 UNF	62,000	44,000	2.61
2-9/16	UC X13-41	2.5625											2.47
70	UC X14	70	130	77.8	30	33.3	44.5	12	9.0	M 12X1.25	66,000	49,500	2.74
2-5/8	UC X14-42	2.6250											2.78
2-11/16	UC X14-43	2.6875	5.1181	3.0630	1.1811	1.3110	1.7520	0.4724	0.3543	7/16-20 UNF	66,000	49,500	2.76
2-3/4	UC X14-44	2.7500											2.75
75	UC X15	75	140	82.6	33	33.3	49.3	14	10.3	M 12X1.25	72,500	53,000	3.41
2-13/16	UC X15-45	2.8125											3.50
2-7/8	UC X15-46	2.8750	5.5118	3.2520	1.2992	1.3110	1.9409	0.5512	0.4055	7/16-20 UNF	72,500	53,000	3.47
2-15/16	UC X15-47	2.9375											3.44
3	UC X15-48	3.0000											3.32
80	UC X16	80	150	85.7	35	34.1	51.6	14	11.0	M 12X1.25	83,200	63,800	3.87
3-1/16	UC X16-49	3.0625	5.9055	3.3740	1.3780	1.3425	2.0315	0.5512	0.4331	7/16-20 UNF	83,200	63,800	3.93
3-1/8	UC X16-50	3.1250											3.90



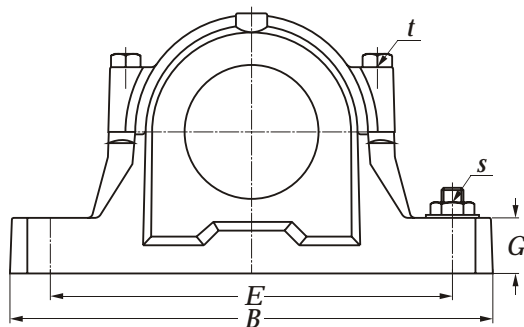
Technical Information



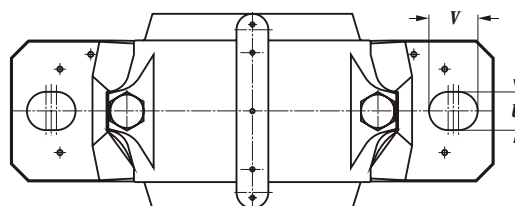
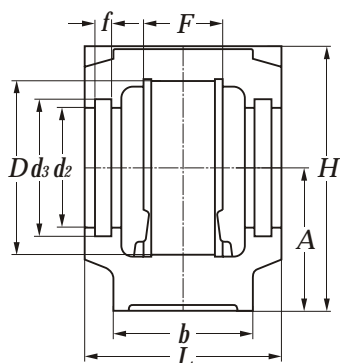
Shaft dia. mm inch	Bearing number	Nominal dimensions mm inch									Basic load ratings N		Weight Kg
		<i>d</i>	<i>D</i>	<i>Bi</i>	<i>C</i>	<i>n</i>	<i>s</i>	<i>G</i>	<i>F</i>	<i>ds</i>	dynamic <i>Cr</i>	static <i>Cor</i>	
25	UC 305	25	62	38	21	15	23	6	4.3	M 6X1	21,200	10,900	0.35
13/16	UC 305-13	0.8125											0.39
7/8	UC 305-14	0.8750	2.4409	1.4961	0.8268	0.5906	0.9055	0.2362	0.1693	1/4-28 UNF	21,200	10,900	0.38
15/16	UC 305-15	0.9375											0.36
1	UC 305-16	1.0000											0.34
30	UC 306	30	72	43	24	17	26	6	5.5	M 6X1	26,700	15,000	0.56
1-1/16	UC 306-17	1.0625											0.59
1-1/8	UC 306-18	1.1250	2.8346	1.6929	0.9449	0.6693	1.0236	0.2362	0.2165	1/4-28 UNF	26,700	15,000	0.58
1-3/16	UC 306-19	1.1875											0.55
1-1/4	UC 306-20	1.2500											0.54
35	UC 307	35	80	48	25	19	29	8	5.3	M 8X1	33,500	19,100	0.71
1-1/4	UC 307-20	1.2500											0.77
1-5/16	UC 307-21	1.3125	3.1496	1.8898	0.9843	0.7480	1.1417	0.3150	0.2087	5/16-24 UNF	33,500	19,100	0.74
1-3/8	UC 307-22	1.3750											0.73
1-7/16	UC 307-23	1.4375											0.70
40	UC 308	40	90	52	28	19	33	10	5.5	M 10X1.25	40,500	24,000	0.96
1-1/2	UC 308-24	1.5000	3.5433	2.0472	1.1024	0.7480	1.2992	0.3937	0.2165	3/8-24 UNF	40,500	24,000	1.00
45	UC 309	45	100	57	30	22	35	10	6.0	M 10X1.25	53,000	32,000	1.28
1-5/8	UC 309-26	1.6250											1.36
1-11/16	UC 309-27	1.6875	3.9370	2.2441	1.1811	0.8661	1.3780	0.3937	0.2362	3/8-24 UNF	53,000	32,000	1.33
1-3/4	UC 309-28	1.7500											1.30
50	UC 310	50	110	61	32	22	39	12	6.1	M 12X1.25	62,000	38,500	1.65
1-7/8	UC 310-30	1.8750											1.74
1-15/16	UC 310-31	1.9375	4.3307	2.4016	1.2598	0.8661	1.5354	0.4724	0.2402	7/16-20 UNF	62,000	38,500	1.68
2	UC 310-32	2.0000											1.64
55	UC 311	55	120	66	34	25	41	12	6.4	M 12X1.25	71,500	45,000	1.90
2	UC 311-32	2.0000											2.08
2-1/16	UC 311-33	2.0625	4.7244	2.5984	1.3386	0.9843	1.6142	0.4724	0.2520	7/16-20 UNF	71,500	45,000	1.94
2-1/8	UC 311-34	2.1250											1.92
2-3/16	UC 311-35	2.1875											1.87


 HEAVY DUTY SPHERICAL OUTSIDE SURFACE BALL BEARINGS
 SET SCREWS TYPE


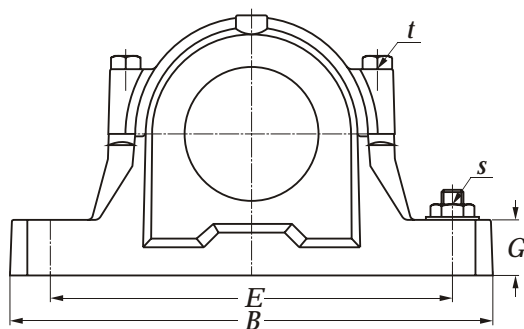
Shaft dia. mm inch	Bearing number	Nominal dimensions mm inch									Basic load ratings N		Weight Kg
		<i>d</i>	<i>D</i>	<i>Bi</i>	<i>C</i>	<i>n</i>	<i>s</i>	<i>G</i>	<i>F</i>	<i>ds</i>	dynamic <i>Cr</i>	static <i>Cor</i>	
60	UC 312	60	130	71	36	26	45	12	6.7	M 12X1.25	82,000	52,000	2.60
2-1/4	UC 312-36	2.2500											2.65
2-5/16	UC 312-37	2.3125	5.1181	2.7953	1.4173	1.0236	1.7717	0.4724	0.2638	7/16-20 UNF	82,000	52,000	2.63
2-3/8	UC 312-38	2.3750											2.57
2-7/16	UC 312-39	2.4375											2.50
65	UC 313	65	140	75	38	30	45	12	6.9	M 12X1.25	92,500	60,000	3.25
2-1/2	UC 313-40	2.5000	5.5118	2.9528	1.4961	1.1811	1.7717	0.4724	0.2717	7/16-20 UNF	92,500	60,000	3.30
2-9/16	UC 313-41	2.5625											3.20
70	UC 314	70	150	78	40	33	47	12	7.2	M 12X1.25	104,000	68,000	3.95
2-5/8	UC 314-42	2.6250											3.98
2-11/16	UC 314-43	2.6875	5.9055	3.0709	1.5748	1.2992	1.8504	0.4724	0.2835	7/16-20 UNF	104,000	68,000	3.97
2-3/4	UC 314-44	2.7500											3.96
75	UC 315	75	160	82	42	32	50	14	7.5	M 14X1.5	113,000	77,000	4.33
2-13/16	UC 315-45	2.8125											4.42
2-7/8	UC 315-46	2.8750	6.2992	3.2283	1.6535	1.2598	1.9685	0.5512	0.2953	1/2-20 UNF	113,000	77,000	4.39
2-15/16	UC 315-47	2.9375											4.36
3	UC 315-48	3.0000											4.24
80	UC 316	80	170	86	44	34	52	14	7.5	M 14X1.5	122,000	86,000	5.57
3-1/16	UC 316-49	3.0625	6.6929	3.3858	1.7323	1.3386	2.0472	0.5512	0.2953	1/2-20 UNF	122,000	86,000	5.63
3-1/8	UC 316-50	3.1250											5.60



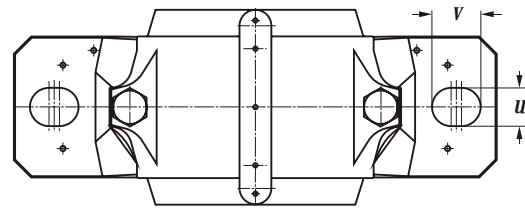
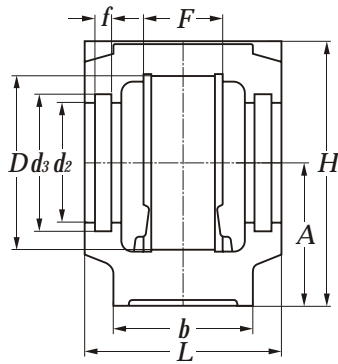
HOUSING SIZE	SHAFT DIAMETER d (mm)	PLUMMER BLOCK HOUSING	PLUMMER BLOCK HOUSING DIMENSIONS (mm)										
			D (H8)	B	b	G	F (H13)	A (h13)	L	H	E	d_2 (H12)	d_3 (H13)
SNU 505	20	SNU 505	52	165	46	19	25	40	67	73	130	31.5	39.5
SNU 605	20	SNU 506-605	62	185	52	22	32	50	77	88	150	36.5	44.5
SNU 506	25	SNU 506-605	62	185	52	22	32	50	77	88	150	36.5	44.5
SNU 606	25	SNU 507-606	72	185	52	22	34	50	82	93	150	46.5	54.5
SNU 507	30	SNU 507-606	72	185	52	22	34	50	82	93	150	46.5	54.5
SNU 607	30	SNU 508-607	80	205	60	25	39	60	85	107	170	51.5	59.5
SNU 508	35	SNU 508-607	80	205	60	25	39	60	85	107	170	51.5	59.5
SNU 608	35	SNU 510-608	90	205	60	25	41	60	90	112	170	62.0	70.5
SNU 509	40	SNU 509	85	205	60	25	30	60	85	109	170	56.5	64.5
SNU 609	40	SNU 511-609	100	255	70	28	44	70	95	127	210	67.0	75.5
SNU 510	45	SNU 510-608	90	205	60	25	41	60	90	112	170	62.0	70.5
SNU 610	45	SNU 512-610	110	255	70	30	48	70	105	133	210	72.0	80.5
SNU 511	50	SNU 511-609	100	255	70	28	44	70	95	127	210	67.0	75.5
SNU 611	50	SNU 513-611	120	275	80	30	51	80	110	148	230	77.0	85.5
SNU 512	55	SNU 512-610	110	255	70	30	48	70	105	133	210	72.0	80.5
SNU 612	55	SNU 515-612	130	280	80	30	56	80	115	154	230	87.0	95.5
SNU 513	60	SNU 513-611	120	275	80	30	51	80	110	148	230	77.0	85.5
SNU 613	60	SNU 516-613	140	315	90	32	58	95	120	175	260	92.5	101.0
SNU 515	65	SNU 515-612	130	280	80	30	56	80	115	154	230	87.0	95.5
SNU 615	65	SNU 518-615	160	345	100	35	65	100	140	191	290	102.5	111.0



PLUMMER BLOCK HOUSING DIMENSIONS (mm)						APPROPRIATE APARTMENT						
f	u	v	s	t	WEIGHT Kg	BEARING NUMBER		ADAPTER	LOCATING RING		SEAL	END
								SLEEVE	NUMBER	QTY	NUMBER	COVER
5	15	20	M 12	M 8	1.4	1205 K		H 205	SR 52X5	2	U 505	505 UA
						2205 K	22205 K	H 305	SR 52X7	1		
5	15	20	M 12	M 8	1.9	1305 K		H 305	SR 62X7.5	2	U 605	506 UA
						2305 K		H 2305	SR 62X8	1		
5	15	20	M 12	M 8	1.9	1206 K		H 206	SR 62X8	2	U 506	506 UA
						2206 K	22206 K	H 306	SR 62X6	2		
5	15	20	M 12	M 10	2.0	1306 K		H 306	SR 72X7.5	2	U 606	507 UA
						2306 K		H 2306	SR 72X7	1		
5	15	20	M 12	M 10	2.0	1207 K		H 207	SR 72X8.5	2	U 507	507 UA
						2207 K	22207 K	H 307	SR 72X5.5	2		
5	15	20	M 12	M 10	2.7	1307 K		H 307	SR 80X9	2	U 607	508 UA
						2307 K		H 2307	SR 80X8	1		
5	15	20	M 12	M 10	2.7	1208 K		H 208	SR 80X10.5	2	U 508	508 UA
						2208 K	22208 K	H 308	SR 80X8	2		
5	15	20	M 12	M 10	2.9	1308 K	21308 K	H 308	SR 90X9	2	U 608	511 NA-510 UA
						2308 K	22308 K	H 2308	SR 90X8	1		
5	15	20	M 12	M 10	2.8	1209 K		H 209	SR 85X5.5	2	U 509	509 UA
						2209 K	22209 K	H 309	SR 85X7	1		
5	18	24	M 16	M 12	4.5	1309 K	21309 K	H 309	SR 100X9.5	2	U 609	512 NA-511 UA
						2309 K	22309 K	H 2309	SR 100X8	1		
5	15	20	M 12	M 10	2.9	1210 K		H 210	SR 90X10.5	2	U 510	511 NA-510 UA
						2210 K	22210 K	H 310	SR 90X9	2		
5	18	24	M 16	M 12	5.0	1310 K	21310 K	H 310	SR 110X10.5	2	U 610	513 NA-512 UA
						2310 K	22310 K	H 2310	SR 110X8	1		
5	18	24	M 16	M 12	4.5	1211 K		H 211	SR 100X11.5	2	U 511	512 NA-511 UA
						2211 K	22211 K	H 311	SR 100X9.5	2		
5	18	24	M 16	M 12	6.3	1311 K	21311 K	H 311	SR 120X11	2	U 611	515 NA-513 UA
						2311 K	22311 K	H 2311	SR 120X8	1		
5	18	24	M 16	M 12	5.0	1212 K		H 212	SR 110X13	2	U 512	513 NA-512 UA
						2212 K	22212 K	H 312	SR 110X10	2		
5	18	24	M 16	M 12	6.6	1312 K	21312 K	H 312	SR 130X12.5	2	U 612	517 NA-515 UA
						2312 K	22312 K	H 2312	SR 130X10	1		
5	18	24	M 16	M 12	6.3	1213 K		H 213	SR 120X14	2	U 513	515 NA-513 UA
						2213 K	22213 K	H 313	SR 120X10	2		
5	22	28	M 20	M 16	9.4	1313 K	21313 K	H 313	SR 140X12.5	2	U 613	518 NA-516 UA
						2313 K	22313 K	H 2313	SR 140X10	1		
5	18	24	M 16	M 12	6.6	1215 K		H 215	SR 130X15.5	2	U 515	517 NA-515 UA
						2215 K	22215 K	H 315	SR 130X12.5	2		
5	22	28	M 20	M 16	12.3	1315 K	21315 K	H 315	SR 160X14	2	U 615	520 NA-518 UA
						2315 K	22315 K	H 2315	SR 160X10	1		



HOUSING SIZE	SHAFT DIAMETER	PLUMMER BLOCK HOUSING	PLUMMER BLOCK HOUSING DIMENSIONS (mm)										
	d (mm)		D (H8)	B	b	G	F (H13)	A (h13)	L	H	E	d_2 (H12)	d_3 (H13)
SNU 516	70	SNU 516-613	140	315	90	32	58	95	120	175	260	92.5	101.0
SNU 616	70	SNU 519-616	170	345	100	35	68	112	145	208	290	131.0	141.0
SNU 517	75	SNU 517	150	320	90	32	61	95	125	181	260	97.5	106.0
SNU 617	75	SNU 520-617	180	380	110	40	70	112	160	214	320	137.5	147.5
SNU 518	80	SNU 518-615	160	345	100	35	65	100	140	191	290	102.5	111.0
SNU 519	85	SNU 519-616	170	345	100	35	68	112	145	208	290	131.0	141.0
SNU 619	85	SNU 522-619	200	410	120	45	80	125	175	237	350	147.5	157.5
SNU 520	90	SNU 520-617	180	380	110	40	70	112	160	214	320	137.5	147.5
SNU 620	90	SNU 524-620	215	410	120	45	86	140	185	271	350	157.5	167.5
SNU 522	100	SNU 522-619	200	410	120	45	80	125	175	237	350	147.5	157.5
SNU 524	110	SNU 524-620	215	410	120	45	86	140	185	271	350	157.5	167.5
SNU 526	115	SNU 526	230	445	130	50	90	150	190	290	380	167.5	177.5
SNU 528	125	SNU 528	250	500	150	50	98	150	205	302	420	177.5	187.5
SNU 530	135	SNU 530	270	530	160	60	106	160	220	323	450	192.5	202.5
SNU 532	140	SNU 532	290	550	160	60	114	170	235	344	470	202.5	212.5

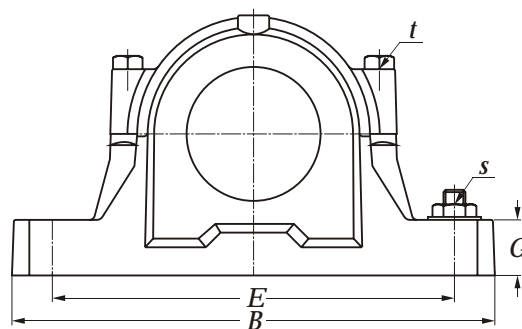


PLUMMER BLOCK HOUSING DIMENSIONS (mm)						APPROPRIATE APARTMENT						
f	u	v	s	t	WEIGHT Kg	BEARING NUMBER		ADAPTER	LOCATING RING		SEAL	END
								SLEEVE	NUMBER	QTY	NUMBER	COVER
5	22	28	M 20	M 16	9.4	1216 K		H 216	SR 140X16	2	U 516	518 NA-516 UA
						2216 K	22216 K	H 316	SR 140X12.5	2		
6	22	28	M 20	M 16	13.5	1316 K	21316 K	H 316	SR 170X14.5	2	U 616	526 NA-519 UA
						2316 K	22316 K	H 2316	SR 170X10	1		
5	22	28	M 20	M 16	9.8	1217 K		H 217	SR 150X16.5	2	U 517	519 NA-517 UA
						2217 K	22217 K	H 317	SR 150X12.5	2		
6	26	32	M 24	M 20	16.6	1317 K	21317 K	H 317	SR 180X14.5	2	U 617	520 UA
						2317 K	22317 K	H 2317	SR 180X10	1		
5	22	28	M 20	M 16	12.3	1218 K		H 218	SR 160X17.5	2	U 518	520 NA-518 UA
						2218 K	22218 K	H 318	SR 160X12.5	2		
6	22	28	M 20	M 16	13.5	1219 K		H 219	SR 170X18	2	U 519	526 NA-519 UA
						2219 K	22219 K	H 319	SR 170X12.5	2		
6	26	32	M 24	M 20	20.4	1319 K	21319 K	H 319	SR 200X17.5	2	U 619	528 NA-522 UA
						2319 K	22319 K	H 2319	SR 200X13	1		
6	26	32	M 24	M 20	16.6	1220 K		H 220	SR 180X18	2	U 520	520 UA
						2220 K	22220 K	H 320	SR 180X12	2		
6	26	32	M 24	M 20	25.0	1320 K	21320 K	H 320	SR 215X19.5	2	U 620	530 NA-524 UA
						2320 K	22320 K	H 2320	SR 215X13	1		
6	26	32	M 24	M 20	20.4	1222 K		H 222	SR 200X21	2	U 522	528 NA-522 UA
						2222 K	22222 K	H 322	SR 200X13.5	2		
6	26	32	M 24	M 20	25.0	2224 K		H 3124	SR 215X14	2	U 524	530 NA-524 UA
						2324 K	22324 K	H 2324	SR 215X10	1		
6	28	35	M 24	M 24	29.8	2226 K		H 3126	SR 230X13	2	U 526	532 NA-526 UA
						2326 K	22326 K	H 2326	SR 230X10	1		
6	35	42	M 30	M 24	37.5	2228 K		H 3128	SR 250X15	2	U 528	528 UA
						2328 K	22328 K	H 2328	SR 250X10	1		
6	35	42	M 30	M 24	46.0	22230 K		H 3130	SR 270X16.5	2	U 530	530 UA
						23230 K	223230 K	H 2330	SR 270X10	1		
6	35	42	M 30	M 24	51.0	22232 K		H 3132	SR 290X17	2	U 532	532 UA
						23232 K	223232 K	H 2332	SR 290X10	1		

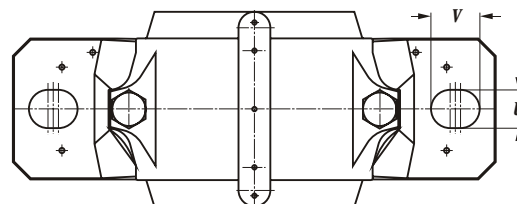
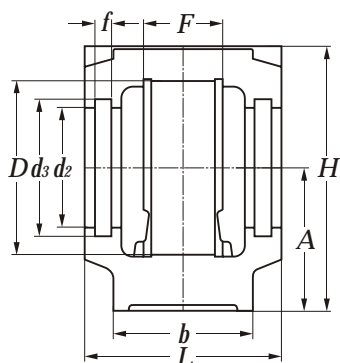


Technical Information

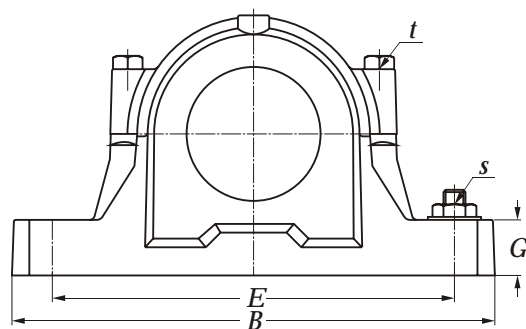
PLUMMER BLOCK HOUSINGS



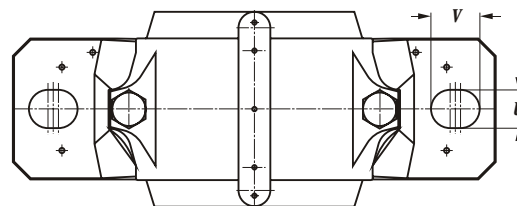
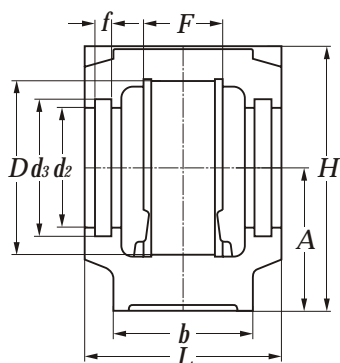
HOUSING SIZE	SHAFT DIAMETER		PLUMMER BLOCK HOUSING	PLUMMER BLOCK HOUSING DIMENSIONS (mm)									
	d (mm)	d_i (mm)		D	B	b	G	F	A	L	H	E	d_2
				(H8)				(H13)	(h13)				
SNU 205	25	30	SNU 205	52	165	46	19	25	40	67	73	130	36.5
SNU 205/FS	25	30	SNU 505	52	165	46	19	25	40	67	73	130	31.5
SNU 305	25	30	SNU 206	62	185	52	22	32	50	77	88	150	46.5
SNU 206	30	35	SNU 206	62	185	52	22	32	50	77	88	150	46.5
SNU 206/FS	30	35	SNU 506-605	62	185	52	22	32	50	77	88	150	36.5
SNU 306	30	35	SNU 507-606	72	185	52	22	34	50	82	93	150	46.5
SNU 207	35	45	SNU 207	72	185	52	22	34	50	82	93	150	56.5
SNU 207/FS	35	45	SNU 507-606	72	185	52	22	34	50	82	93	150	46.5
SNU 307	35	45	SNU 208	80	205	60	25	39	60	85	107	170	62.0
SNU 208	40	50	SNU 208	80	205	60	25	39	60	85	107	170	62.0
SNU 208/FS	40	50	SNU 508-607	80	205	60	25	39	60	85	107	170	51.5
SNU 308	40	50	SNU 510-608	90	205	60	25	41	60	90	112	170	62.0
SNU 209	45	55	SNU 209	85	205	60	25	30	60	85	109	170	67.0
SNU 209/FS	45	55	SNU 509	85	205	60	25	30	60	85	109	170	56.5
SNU 309	45	55	SNU 511-609	100	255	70	28	44	70	95	127	210	67.0
SNU 210	50	60	SNU 210	90	205	60	25	41	60	90	112	170	72.0
SNU 210/FS	50	60	SNU 510-608	90	205	60	25	41	60	90	112	170	62.0
SNU 310	50	60	SNU 512-610	110	255	70	30	48	70	105	133	210	72.0



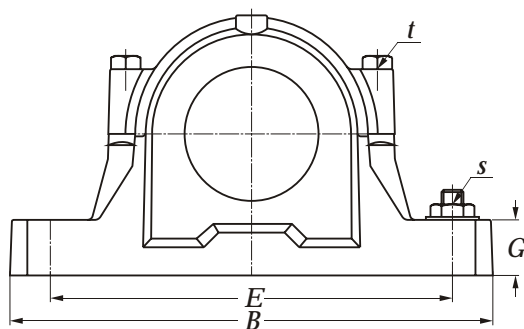
PLUMMER BLOCK HOUSING DIMENSIONS (mm)							APPROPRIATE APARTMENT					
d_3 (H13)	f	u	v	s	t	WEIGHT Kg	BEARING NUMBER		LOCATING RING		SEAL	END
									NUMBER	QTY	NUMBER	COVER
44.5	5	15	20	M 12	M 8	1.4	1205 2205	22205	SR 52X5 SR 52X7	2 1	U 205	506 UA
39.5	5	15	20	M 12	M 8	1.4	1205 2205	22205	SR 52X5 SR 52X7	2 1	FS 6X6X115	505 UA
54.5	5	15	20	M 12	M 8	1.8	1305 2305		SR 62X7.5 SR 62X8	2 1	U 305	507 UA
54.5	5	15	20	M 12	M 8	1.8	1206 2206	22206	SR 62X8 SR 62X6	2 2	U 206	507 UA
44.5	5	15	20	M 12	M 8	1.9	1206 2206	22206	SR 62X8 SR 62X6	2 2	FS 6X6X130	506 UA
54.5	5	15	20	M 12	M 10	2.0	1306 2306		SR 72X7.5 SR 72X7	2 1	U 206	507 UA
64.5	5	15	20	M 12	M 10	1.9	1207 2207	22207	SR 72X8.5 SR 72X5.5	2 2	U 207	509 UA
54.5	5	15	20	M 12	M 10	2.0	1207 2207	22207	SR 72X8.5 SR 72X5.5	2 2	FS 6X6X160	507 UA
70.5	5	15	20	M 12	M 10	2.6	1307 2307		SR 80X9 SR 80X8	2 1	U 510	511 NA-510 UA
70.5	5	15	20	M 12	M 10	2.6	1208 2208	22208	SR 80X10.5 SR 80X8	2 2	U 208	511 NA-510 UA
59.5	5	15	20	M 12	M 10	2.7	1208 2208	22208	SR 80X10.5 SR 80X8	2 2	FS 6X6X175	508 UA
70.5	5	15	20	M 12	M 10	2.9	1308 2308	21308 22308	SR 90X9 SR 90X8	2 1	U 208	511 NA-510 UA
75.5	5	15	20	M 12	M 10	2.7	1209 2209	22209	SR 85X5.5 SR 85X7	2 1	U 209	512 NA-511 UA
64.5	5	15	20	M 12	M 10	2.8	1209 2209	22209	SR 85X5.5 SR 85X7	2 1	FS 6X6X190	509 UA
75.5	5	18	24	M 16	M 12	4.5	1309 2309	21309 22309	SR 100X9.5 SR 100X8	2 1	U 209	512 NA-511 UA
80.5	5	15	20	M 12	M 10	2.7	1210 2210	22210	SR 90X10.5 SR 90X9	2 2	U 210	513 NA-512 UA
70.5	5	15	20	M 12	M 10	2.9	1210 2210	22210	SR 90X10.5 SR 90X9	2 2	FS 6X6X210	511 NA-510 UA
80.5	5	18	24	M 16	M 12	5.0	1310 2310	22310 22310	SR 110X10.5 SR 110X8	2 1	U 210	513 NA-512 UA



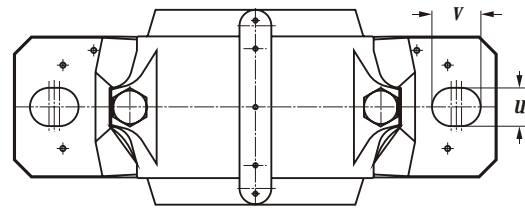
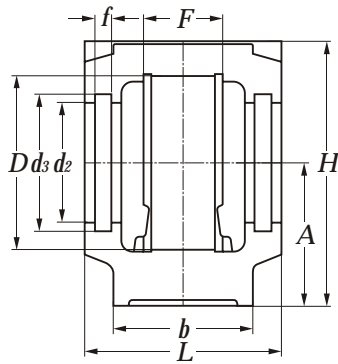
HOUSING SIZE	SHAFT DIAMETER		PLUMMER BLOCK HOUSING	PLUMMER BLOCK HOUSING DIMENSIONS (mm)									
	d (mm)	d_i (mm)		D	B	b	G	F	A	L	H	E	d_2
				(H8)				(H13)	(h13)				
SNU 211	55	65	SNU 211	100	255	70	28	44	70	95	127	210	77.0
SNU 211/FS	55	65	SNU 511-609	100	255	70	28	44	70	95	127	210	67.0
SNU 311	55	65	SNU 513-611	120	275	80	30	51	80	110	148	230	77.0
SNU 212	60	70	SNU 212	110	255	70	30	48	70	105	133	210	87.0
SNU 212/FS	60	70	SNU 512-610	110	255	70	30	48	70	105	133	210	72.0
SNU 312	60	70	SNU 515-612	130	280	80	30	56	80	115	154	230	87.0
SNU 213	65	75	SNU 213	120	275	80	30	51	80	110	148	230	92.5
SNU 213/FS	65	75	SNU 513-611	120	275	80	30	51	80	110	148	230	77.0
SNU 313	65	75	SNU 516-613	140	315	90	32	58	95	120	175	260	92.5
SNU 314	70	80	SNU 517	150	320	90	32	61	95	125	181	260	97.5
SNU 215	75	85	SNU 215	130	280	80	30	56	80	115	154	230	102.5
SNU 215/FS	75	85	SNU 515-612	130	280	80	30	56	80	115	154	230	87.0
SNU 315	75	85	SNU 518-615	160	345	100	35	65	100	140	191	290	102.5
SNU 216	80	90	SNU 216	140	315	90	32	58	95	120	175	260	108.0
SNU 216/FS	80	90	SNU 516-613	140	315	90	32	58	95	120	175	260	92.5
SNU 316	80	90	SNU 519-616	170	345	100	35	68	112	145	208	290	131.0
SNU 217	85	95	SNU 217	150	320	90	32	61	95	125	181	260	112.0
SNU 217/FS	85	95	SNU 517	150	320	90	32	61	95	125	181	260	97.5
SNU 317	85	95	SNU 520-617	180	380	110	40	70	112	160	214	320	137.5



PLUMMER BLOCK HOUSING DIMENSIONS (mm)							APPROPRIATE APARTMENT					
d_3 (H13)	f	u	v	s	t	WEIGHT Kg	BEARING NUMBER		LOCATING RING		SEAL NUMBER	END COVER
									NUMBER	QTY		
85.5	5	18	24	M 16	M 12	4.3	1211	SR 100X11.5	2	U 211	515 NA-513 UA	
							2211 22211	SR 100X9.5	2			
75.5	5	18	24	M 16	M 12	4.5	1211	SR 100X11.5	2	FS 6X6X225	512 NA-511 UA	
							2211 22211	SR 100X9.5	2			
85.5	5	18	24	M 16	M 12	6.3	1311	SR 120X11	2	U 211	515 NA-513 UA	
							2311 21311	SR 120X8	1			
95.5	5	18	24	M 16	M 12	4.7	1212	SR 110X13	2	U 212	517 NA-515 UA	
							2212 22212	SR 110X10	2			
80.5	5	18	24	M 16	M 12	5.0	1212	SR 110X13	2	FS 6X6X240	513 NA-512 UA	
							2212 22212	SR 110X10	2			
95.5	5	18	24	M 16	M 12	6.6	1312	SR 130X12.5	2	U 212	517 NA-515 UA	
							2312 21312	SR 130X10	1			
101.0	5	18	24	M 16	M 12	5.9	1213	SR 120X14	2	U 213	518 NA-516 UA	
							2213 22213	SR 120X10	2			
85.5	5	18	24	M 16	M 12	6.3	1213	SR 120X14	2	FS 6X6X255	515 NA-513 UA	
							2213 22213	SR 120X10	2			
101.0	5	22	28	M 20	M 16	9.4	1313	SR 140X12.5	2	U 213	518 NA-516 UA	
							2313 21313	SR 140X10	1			
106.0	5	22	28	M 20	M 16	9.8	1314	SR 150X13	2	U 314	519 NA-517 UA	
							2314 21314	SR 150X10	1			
111.0	5	18	24	M 16	M 12	6.2	1215	SR 130X15.5	2	U 215	520 NA-518 UA	
							2215 22215	SR 130X12.5	2			
95.5	5	18	24	M 16	M 12	6.6	1215	SR 130X15.5	2	FS 6X6X290	517 NA-515 UA	
							2215 22215	SR 130X12.5	2			
111.0	5	22	28	M 20	M 16	12.3	1315	SR 160X14	2	U 215	520 NA-518 UA	
							2315 21315	SR 160X10	1			
116.5	5	22	28	M 20	M 16	8.9	1216	SR 140X16	2	U 216	216 UA	
							2216 22216	SR 140X12.5	2			
101.0	5	22	28	M 20	M 16	9.4	1216	SR 140X16	2	FS 6X6X305	518 NA-516 UA	
							2216 22216	SR 140X12.5	2			
141.0	6	22	28	M 20	M 16	13.5	1316	SR 170X14.5	2	U 316	526 NA-519 UA	
							2316 21316	SR 170X10	1			
120.5	5	22	28	M 20	M 16	9.3	1217	SR 150X16.5	2	U 217	217 UA	
							2217 22217	SR 150X12.5	2			
106.0	5	22	28	M 20	M 16	9.8	1217	SR 150X16.5	2	FS 6X6X320	519 NA-517 UA	
							2217 22217	SR 150X12.5	2			
147.5	6	26	32	M 24	M 20	16.6	1317	SR 180X14.5	2	U 317	520 UA	
							2317 21317	SR 180X10	1			



HOUSING SIZE	SHAFT DIAMETER		PLUMMER BLOCK HOUSING	PLUMMER BLOCK HOUSING DIMENSIONS (mm)									
	d (mm)	d_1 (mm)		D	B	b	G	F	A	L	H	E	d_2
				(H8)				(H13)	(h13)				
SNU 218	90	100	SNU 218	160	345	100	35	65	100	140	191	290	120.0
SNU 218/FS	90	100	SNU 518-615	160	345	100	35	65	100	140	191	290	102.5
SNU 319	95	110	SNU 522-619	200	410	120	45	80	125	175	237	350	147.5
SNU 220	100	115	SNU 520-617	180	380	110	40	70	112	160	214	320	137.5
SNU 320	100	115	SNU 524-620	215	410	120	45	86	140	185	271	350	157.5
SNU 222	110	125	SNU 522-619	200	410	120	45	80	125	175	237	350	147.5
SNU 224	120	135	SNU 524-620	215	410	120	45	86	140	185	271	350	157.5
SNU 226	130	145	SNU 526	230	445	130	50	90	150	190	290	380	167.5
SNU 228	140	155	SNU 528	250	500	150	50	98	150	205	302	420	177.5
SNU 230	150	165	SNU 530	270	530	160	60	106	160	220	323	450	192.5
SNU 232	160	175	SNU 532	290	550	160	60	114	170	235	344	470	202.5

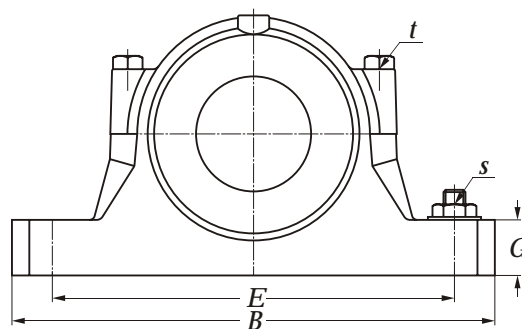


PLUMMER BLOCK HOUSING DIMENSIONS (mm)							APPROPRIATE APARTMENT					
d_3 (H13)	f	u	v	s	t	WEIGHT Kg	BEARING NUMBER		LOCATING RING		SEAL	END
									NUMBER	QTY	NUMBER	COVER
128.5	5	22	28	M 20	M 16	12.3	1218 2218 23218	22218	SR 160X17.5 SR 160X12.5 SR 160X12.5	2 2 1	U 218	218 UA
111.0	5	22	28	M 20	M 16	12.3	1218 2218 23218	22218	SR 160X17.5 SR 160X12.5 SR 160X12.5	2 2 1	FS 6X6X340	520 NA-518 UA
157.5	6	26	32	M 24	M 20	20.4	1319 2319	21319 22319	SR 200X17.5 SR 200X13	2 1	U 319	528 NA-522 UA
147.5	6	26	32	M 24	M 20	16.6	1220 2220	22220 23220	SR 180X18 SR 180X12 SR 180X9.7	2 2 1	U 220	520 UA
167.5	6	26	32	M 24	M 20	25.0	1320 2320	21320 22320	SR 215X19.5 SR 215X13	2 1	U 320	530 NA-524 UA
157.5	6	26	32	M 24	M 20	20.4	1222 2222	22222 23222	SR 200X21 SR 200X13.5 SR 200X10.2	2 2 1	U 222	528 NA-522 UA
167.5	6	26	32	M 24	M 20	25.0		22224 23224	SR 215X14 SR 215X10	2 1	U 224	530 NA-524 UA
177.5	6	28	35	M 24	M 24	29.8		22226 23226	SR 230X13 SR 230X10	2 1	U 226	532 NA-526 UA
187.5	6	35	42	M 30	M 24	37.5		22228 23228	SR 250X15 SR 250X10	2 1	U 228	528 UA
202.5	6	35	42	M 30	M 24	46.0		22230 23230	SR 270X16.5 SR 270X10	2 1	U 230	530 UA
212.5	6	35	42	M 30	M 24	51.0		22232 23232	SR 290X17 SR 290X10	2 1	U 232	532 UA

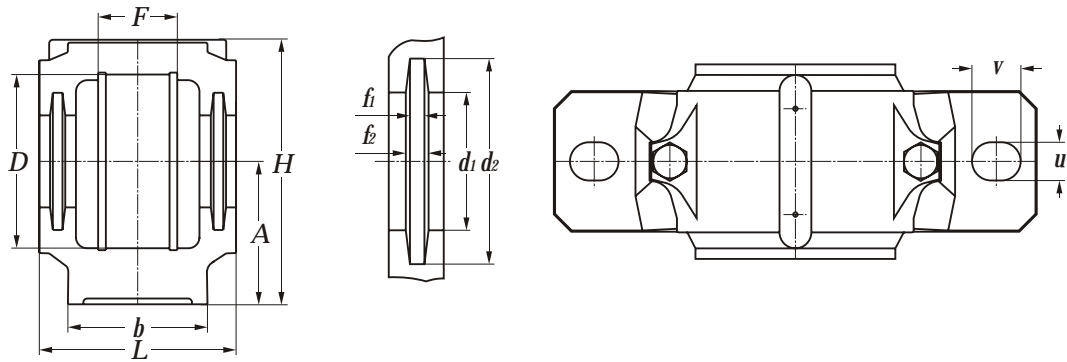


Technical Information

PLUMMER BLOCK HOUSINGS



HOUSING SIZE	SHAFT DIAMETER	PLUMMER BLOCK HOUSING	PLUMMER BLOCK HOUSING DIMENSIONS (mm)										
	d (mm)		D (H8)	B	b	G	F (H13)	A (h13)	L	H	E	d_1 (H12)	d_2 (H13)
SN 506	25	SN 506	62	185	52	22	30.0	50	77	90	150	26.5	38
SN 507	30	SN 507	72	185	52	22	33.0	50	82	95	150	31.5	43
SN 508	35	SN 508	80	205	60	25	33.0	60	85	112	170	36.5	48
SN 509	40	SN 509	85	205	60	25	31.0	60	85	112	170	41.5	53
SN 510	45	SN 510	90	205	60	25	33.0	60	90	115	170	46.5	58
SN 511	50	SN 511	100	255	70	28	33.0	70	95	130	210	51.5	67
SN 512	55	SN 512	110	255	70	30	38.0	70	105	135	210	56.5	72
SN 513	60	SN 513	120	275	80	30	43.0	80	110	150	230	62.0	77
SN 515	65	SN 515	130	280	80	30	41.0	80	115	155	230	67.0	82
SN 516	70	SN 516	140	315	90	32	43.0	95	120	175	260	72.0	89
SN 517	75	SN 517	150	320	90	32	46.0	95	125	185	260	77.0	94
SN 518	80	SN 518	160	345	100	35	62.4	100	145	195	290	82.0	99
SN 519	85	SN 519	170	345	100	35	53.0	112	140	210	290	87.0	104
SN 520	90	SN 520	180	380	110	40	70.3	112	160	215	320	92.0	111
SN 522	100	SN 522	200	410	120	45	80.0	125	175	239	350	102.0	125
SN 524	110	SN 524	215	410	120	45	86.0	140	185	270	350	113.0	135
SN 526	115	SN 526	230	445	130	50	90.0	150	190	290	380	118.0	140
SN 528	125	SN 528	250	500	150	50	98.0	150	205	305	420	128.0	154
SN 530	135	SN 530	270	530	160	60	106.0	160	220	325	450	138.0	164
SN 532	140	SN 532	290	550	160	60	114.0	170	235	340	470	143.0	173

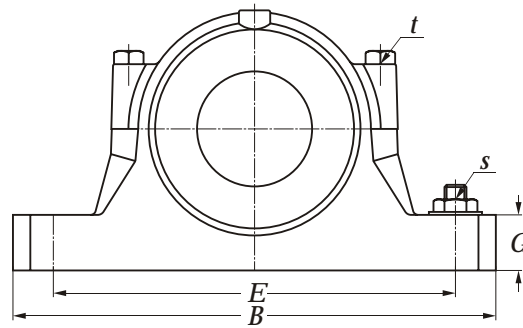


PLUMMER BLOCK HOUSING DIMENSIONS (mm)							APPROPRIATE APARTMENT					
f_i	f_e	u	v	s	t	WEIGHT	BEARING NUMBER	ADAPTER SLEEVE	LOCATING RING		FELT SEAL	END COVER
					Kg	NUMBER			QTY			
4	5.4	15	20	M 12	M 8	2.3	1206 K	H 206	SR 62X7	2	FS 6X6X105	506 NA
							2206 K	H 306	SR 62X10	1		
4	5.4	15	20	M 12	M 10	2.5	1207 K	H 207	SR 72X8	2	FS 6X6X120	507 NA
							2207 K	H 307	SR 72X10	1		
4	5.4	15	20	M 12	M 10	3.4	1208 K	H 208	SR 80X7.5	2	FS 6X6X135	508 NA
							2208 K	H 308	SR 80X10	1		
4	5.4	15	20	M 12	M 10	3.4	1209 K	H 209	SR 85X6	2	FS 6X6X150	509 NA
							2209 K	H 309	SR 85X8	1		
4	5.4	15	20	M 12	M 10	3.6	1210 K	H 210	SR 90X6.5	2	FS 6X6X165	510 NA
							2210 K	H 310	SR 90X10	1		
5	6.9	18	23	M 16	M 12	4.8	1211 K	H 211	SR 100X6	2	FS 6X9X190	511 NA-510 UA
							2211 K	H 311	SR 100X8	1		
5	6.9	18	23	M 16	M 12	5.4	1212 K	H 212	SR 110X8	2	FS 6X9X205	512 NA-511 UA
							2212 K	H 312	SR 110X10	1		
5	6.8	18	23	M 16	M 12	6.3	1213 K	H 213	SR 120X10	2	FS 6X9X220	513 NA-512 UA
							2213 K	H 313	SR 120X12	1		
5	6.8	18	23	M 16	M 12	7.4	1215 K	H 215	SR 130X8	2	FS 6X9X235	515 NA-513 UA
							2215 K	H 315	SR 130X10	1		
6	8.1	22	27	M 20	M 16	9.6	1216 K	H 216	SR 140X8.5	2	FS 8X10X255	516 NA
							2216 K	H 316	SR 140X10	1		
6	8.1	22	27	M 20	M 16	9.8	1217 K	H 217	SR 150X9	2	FS 8X10X270	517 NA-515 UA
							2217 K	H 317	SR 150X10	1		
6	8.1	22	27	M 20	M 16	14.2	1218 K	H 218	SR 160X16.2	2	FS 8X10X285	518 NA-516 UA
							2218 K	H 318	SR 160X11.2	2		
							23218 K	H 2318	SR 160X10	1		
6	8.1	22	27	M 20	M 16	15.2	1219 K	H 219	SR 170X10.5	2	FS 8X10X300	519 NA-517 UA
							22219 K	H 319	SR 170X10	1		
7	9.3	26	32	M 24	M 20	19.0	2220 K	H 320	SR 180X12.1	2	FS 9X10X320	520 NA-518 UA
							22320 K	H 2320	SR 180X10	1		
8	10.8	26	32	M 24	M 20	23.1	2222 K	H 322	SR 200X13.5	2	FS 10X13X360	522 NA
							23222 K	H 2322	SR 200X10	1		
8	10.7	26	32	M 24	M 20	26.0	22224 K	H 3124	SR 215X14	2	FS 10X13X390	524 NA
							23224 K	H 2324	SR 215X10	1		
8	10.7	28	36	M 24	M 24	32.7	22226 K	H 3126	SR 230X13	2	FS 10X13X410	526 NA-519 UA
							23226 K	H 2326	SR 230X10	1		
9	12.2	33	42	M 30	M 24	43.5	22228 K	H 3128	SR 250X15	2	FS 12X14X445	528 NA-522 UA
							23228 K	H 2328	SR 250X10	1		
9	12.2	33	42	M 30	M 24	48.7	22230 K	H 3130	SR 270X16.5	2	FS 12X14X475	530 NA-524 UA
							23230 K	H 2330	SR 270X10	1		
10	13.7	33	42	M 30	M 24	60.7	22232 K	H 3132	SR 290X17	2	FS 12X14X500	532 NA-526 UA
							23232 K	H 2332	SR 290X10	1		

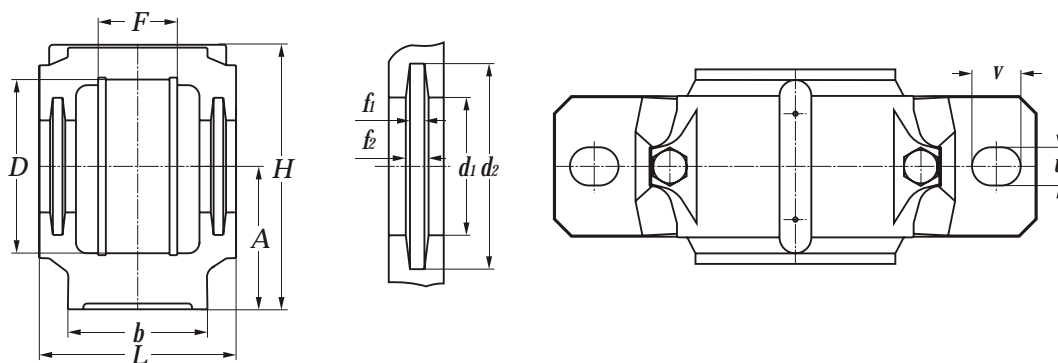


Technical Information

PLUMMER BLOCK HOUSINGS



HOUSING SIZE	SHAFT DIAMETER	PLUMMER BLOCK HOUSING	PLUMMER BLOCK HOUSING DIMENSIONS (mm)										
	d (mm)		D (H8)	B	b	G	F (H13)	A (h13)	L	H	E	d_1 (H12)	d_2 (H13)
SN 606	25	SN 606	72	185	52	22	37	50	82	95	150	26.5	38
SN 607	30	SN 607	80	205	60	25	41	60	90	110	170	31.5	43
SN 608	35	SN 608	90	205	60	25	43	60	95	115	170	36.5	48
SN 609	40	SN 609	100	255	70	28	46	70	105	130	210	41.5	53
SN 610	45	SN 610	110	255	70	30	50	70	115	135	210	46.5	58
SN 611	50	SN 611	120	275	80	30	53	80	120	150	230	51.5	67
SN 612	55	SN 612	130	280	80	30	56	80	125	155	230	56.5	72
SN 613	60	SN 613	140	315	90	32	58	95	130	175	260	62.0	77
SN 615	65	SN 615	160	345	100	35	65	100	140	195	290	67.0	82
SN 616	70	SN 616	170	345	100	35	68	112	145	215	290	72.0	89
SN 617	75	SN 617	180	380	110	40	70	112	155	218	320	77.0	94
SN 618	80	SN 618	190	400	110	33	74	112	160	230	320	82.0	99
SN 619	85	SN 619	200	420	120	36	77	125	170	245	350	87.0	104
SN 620	90	SN 620	215	420	120	38	83	140	175	280	350	92.0	111

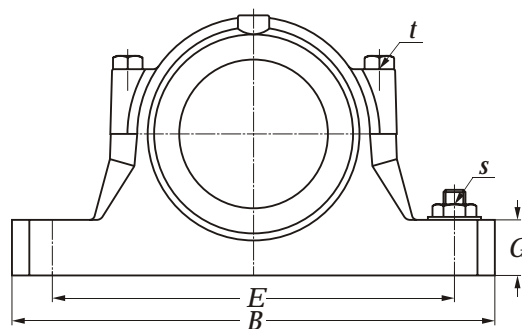


PLUMMER BLOCK HOUSING DIMENSIONS (mm)							APPROPRIATE APARTMENT						
f_i	f_e	u	v	s	t	WEIGHT	BEARING NUMBER	ADAPTER SLEEVE	LOCATING RING		FELT SEAL	END COVER	
						Kg			NUMBER	QTY			
4	5.4	15	20	M 12	M 10	2.2	1306 K 2306 K	H 306 H 2306	SR 72X9 SR 72X10	2 1	FS 6X6X105	506 NA	
4	5.4	15	20	M 12	M 10	3.4	1307 K 2307 K	H 307 H 2307	SR 80X10 SR 80X10	2 1	FS 6X6X120	507 NA	
4	5.4	15	20	M 12	M 12	3.4	1308 K 2308 K	21308 K 22308 K	H 308 H 2308	SR 90X10 SR 90X10	2 1	FS 6X6X135	508 NA
4	5.4	18	23	M 16	M 12	5.0	1309 K 2309 K	21309 K 22309 K	H 309 H 2309	SR 100X10.5 SR 100X10	2 1	FS 6X6X150	509 NA
4	5.4	18	23	M 16	M 12	5.4	1310 K 2310 K	21310 K 22310 K	H 310 H 2310	SR 110X11.5 SR 110X10	2 1	FS 6X6X165	510 NA
5	6.9	18	23	M 16	M 12	6.8	1311 K 2311 K	21311 K 22311 K	H 311 H 2311	SR 120X12 SR 120X10	2 1	FS 6X9X190	511 NA-510 UA
5	6.9	18	23	M 16	M 12	7.1	1312 K 2312 K	21312 K 22312 K	H 312 H 2312	SR 130X12.5 SR 130X10	2 1	FS 6X9X205	512 NA-511 UA
5	6.8	22	27	M 20	M 16	10.0	1313 K 2313 K	21313 K 22313 K	H 313 H 2313	SR 140X12.5 SR 140X10	2 1	FS 6X9X220	513 NA-512 UA
5	6.8	22	27	M 20	M 16	13.8	1315 K 2315 K	21315 K 22315 K	H 315 H 2315	SR 160X14 SR 160X10	2 1	FS 6X9X235	515 NA-513 UA
6	8.1	22	27	M 20	M 16	16.9	1316 K 2316 K	21316 K 22316 K	H 316 H 2316	SR 170X14.5 SR 170X10	2 1	FS 8X10X255	516 NA
6	8.1	26	32	M 24	M 20	18.9	1317 K 2317 K	21317 K 22317 K	H 317 H 2317	SR 180X14.5 SR 180X10	2 1	FS 8X10X270	517 NA-515 UA
6	8.1	26	35	M 24	M 20	19.8	1318 K 2318 K	22318 K	H 318 H 2318	SR 190X15.5 SR 190X10	2 1	FS 8X10X285	518 NA-516 UA
6	8.1	26	35	M 24	M 20	24.7	1319 K 2319 K	22319 K	H 319 H 2319	SR 200X16 SR 200X10	2 1	FS 8X10X300	519 NA-517 UA
7	9.3	26	35	M 24	M 20	27.0	1320 K 2320 K	22320 K	H 320 H 2320	SR 215X18 SR 215X10	2 1	FS 9X10X320	520 NA-518 UA

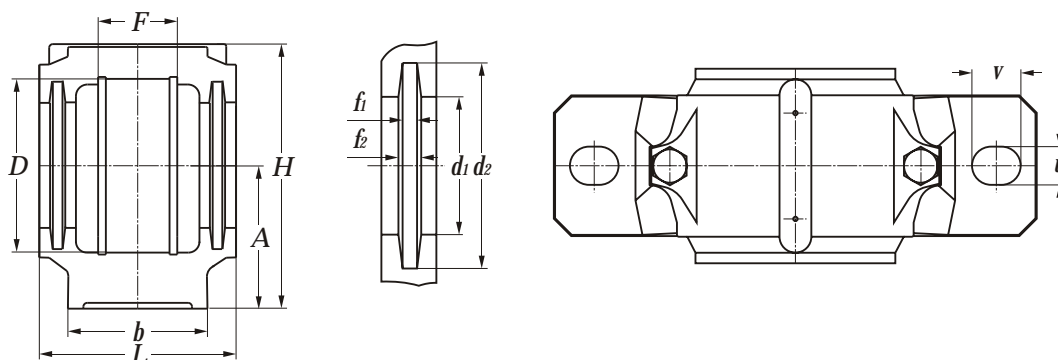


Technical Information

PLUMMER BLOCK HOUSINGS



HOUSING SIZE	SHAFT DIAMETER d (mm)	PLUMMER BLOCK HOUSING	PLUMMER BLOCK HOUSING DIMENSIONS (mm)										
			D (H8)	B	b	G	F (H13)	A (h13)	L	H	E	d_t (H12)	d_2 (H13)
SN 206	30	SN 206	62	185	52	22	30.0	50	77	90	150	36.5	48
SN 207	35	SN 207	72	185	52	22	33.0	50	82	95	150	46.5	58
SN 208	40	SN 208	80	205	60	25	33.0	60	85	112	170	51.5	67
SN 209	45	SN 209	85	205	60	25	31.0	60	85	112	170	56.5	72
SN 210	50	SN 210	90	205	60	25	33.0	60	90	115	170	62.0	77
SN 211	55	SN 211	100	255	70	28	33.0	70	95	130	210	67.0	82
SN 212	60	SN 212	110	255	70	30	38.0	70	105	135	210	72.0	89
SN 213	65	SN 213	120	275	80	30	43.0	80	110	150	230	77.0	94
SN 215	75	SN 215	130	280	80	30	41.0	80	115	155	230	87.0	104
SN 216	80	SN 216	140	315	90	32	43.0	95	120	175	260	92.0	111
SN 217	85	SN 217	150	320	90	32	46.0	95	125	185	260	97.0	120
SN 218	90	SN 218	160	345	100	35	62.4	100	145	195	290	102.0	125
SN 220	100	SN 220	180	380	110	40	70.3	112	160	215	320	118.0	140
SN 222	110	SN 222	200	410	120	45	80.0	125	175	239	350	128.0	154
SN 224	120	SN 224	215	410	120	45	86.0	140	185	270	350	138.0	164
SN 226	130	SN 226	230	445	130	50	90.0	150	190	290	380	148.0	178
SN 228	140	SN 228	250	500	150	50	98.0	150	205	305	420	158.0	188
SN 230	150	SN 230	270	530	160	60	106.0	160	220	325	450	168.0	198
SN 232	160	SN 232	290	550	160	60	114.0	170	235	340	470	178.0	208

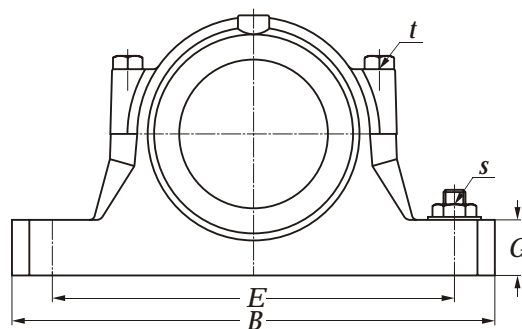


PLUMMER BLOCK HOUSING DIMENSIONS (mm)							APPROPRIATE APARTMENT					
fi	f2	u	v	s	t	WEIGHT Kg	BEARING NUMBER		LOCATING RING		FELT SEAL	END COVER
									NUMBER	QTY		
4	5.4	15	20	M 12	M 8	2.3	1206		SR 62X7	2	FS 6X6X135	508 NA
							2206	22206	SR 62X10	1		
4	5.4	15	20	M 12	M 10	2.3	1207		SR 72X8	2	FS 6X6X165	510 NA
							2207	22207	SR 72X10	1		
5	6.9	15	20	M 12	M 10	3.2	1208		SR 80X7.5	2	FS 6X9X190	511 NA-510 UA
							2208	22208	SR 80X10	1		
5	6.9	15	20	M 12	M 10	3.2	1209		SR 85X6	2	FS 6X9X205	512 NA-511 UA
							2209	22209	SR 85X8	1		
5	6.8	15	20	M 12	M 10	3.3	1210		SR 90X6.5	2	FS 6X9X220	513 NA-512 UA
							2210	22210	SR 90X10	1		
5	6.8	18	23	M 16	M 12	4.4	1211		SR 100X6	2	FS 6X9X235	515 NA-513 UA
							2211	22211	SR 100X8	1		
6	8.1	18	23	M 16	M 12	5.0	1212		SR 110X8	2	FS 8X10X255	516 NA
							2212	22212	SR 110X10	1		
6	8.1	18	23	M 16	M 12	5.9	1213		SR 120X10	2	FS 8X10X270	517 NA-515 UA
							2213	22213	SR 120X12	1		
6	8.1	18	23	M 16	M 12	7.0	1215		SR 130X8	2	FS 8X10X300	519 NA-517 UA
							2215	22215	SR 130X10	1		
7	9.3	22	27	M 20	M 16	8.9	1216		SR 140X8.5	2	FS 9X10X320	520 NA-518 UA
							2216	22216	SR 140X10	1		
8	10.8	22	27	M 20	M 16	9.1	1217		SR 150X9	2	FS 10X13X340	217 NA
							2217	22217	SR 150X10	1		
8	10.8	22	27	M 20	M 16	13.1	1218		SR 160X16.2	2	FS 10X13X360	522 NA
							2218	22218	SR 160X11.2	2		
							23218		SR 160X10	1		
8	10.7	26	32	M 24	M 20	17.5	2220		SR 180X12.1	2	FS 10X13X410	526 NA-519 UA
							22320		SR 180X10	1		
9	12.2	26	32	M 24	M 20	21.6	2222		SR 200X13.5	2	FS 12X14X445	528 NA-522 UA
							23222		SR 200X10	1		
9	12.2	26	32	M 24	M 20	24.2	22224		SR 215X14	2	FS 12X14X475	530 NA-524 UA
							23224		SR 215X10	1		
10	13.7	28	36	M 24	M 24	30.2	22226		SR 230X13	2	FS 12X17X515	226 NA
							23226		SR 230X10	1		
10	13.7	33	42	M 30	M 24	41.0	22228		SR 250X15	2	FS 12X17X545	228 NA
							23228		SR 250X10	1		
10	13.7	33	42	M 30	M 24	46.0	22230		SR 270X16.5	2	FS 12X17X580	230 NA
							23230		SR 270X10	1		
10	13.7	33	42	M 30	M 24	57.5	22232		SR 290X17	2	FS 12X17X610	232 NA
							23232		SR 290X10	1		

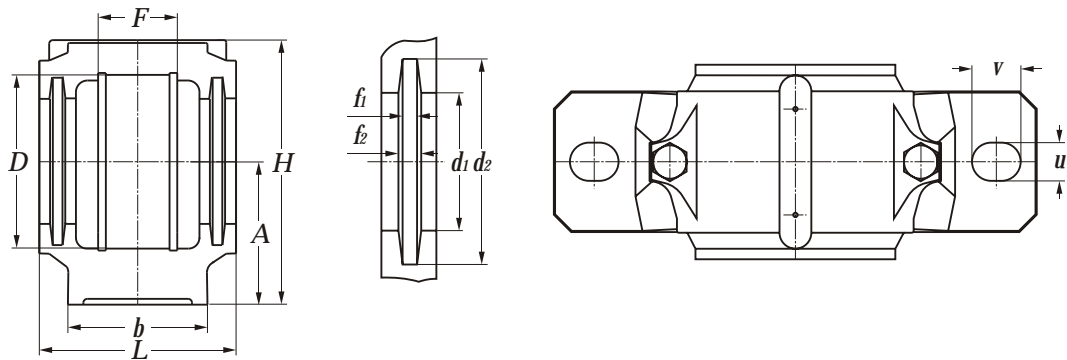


Technical Information

PLUMMER BLOCK HOUSINGS



HOUSING SIZE	SHAFT DIAMETER	PLUMMER BLOCK HOUSING	PLUMMER BLOCK HOUSING DIMENSIONS (mm)										
	d (mm)		D (H8)	B	b	G	F (H13)	A (h13)	L	H	E	d_1 (H12)	d_2 (H13)
SN 306	30	SN 306	72	185	52	22	37	50	82	95	150	36.5	48
SN 307	35	SN 307	80	205	60	25	41	60	90	110	170	46.5	58
SN 308	40	SN 308	90	205	60	25	43	60	95	115	170	51.5	67
SN 309	45	SN 309	100	255	70	28	46	70	105	130	210	56.5	72
SN 310	50	SN 310	110	255	70	30	50	70	115	135	210	62.0	77
SN 311	55	SN 311	120	275	80	30	53	80	120	150	230	67.0	82
SN 312	60	SN 312	130	280	80	30	56	80	125	155	230	72.0	89
SN 313	65	SN 313	140	315	90	32	58	95	130	175	260	77.0	94
SN 315	75	SN 315	160	345	100	35	65	100	140	195	290	87.0	104
SN 316	80	SN 316	170	345	100	35	68	112	145	215	290	92.0	111
SN 317	85	SN 317	180	380	110	40	70	112	155	218	320	97.0	120
SN 318	90	SN 318	190	400	110	33	74	112	160	230	320	102.0	125
SN 319	95	SN 319	200	420	120	36	77	125	170	245	350	113.0	135
SN 320	100	SN 320	215	420	120	38	83	140	175	280	350	118.0	140

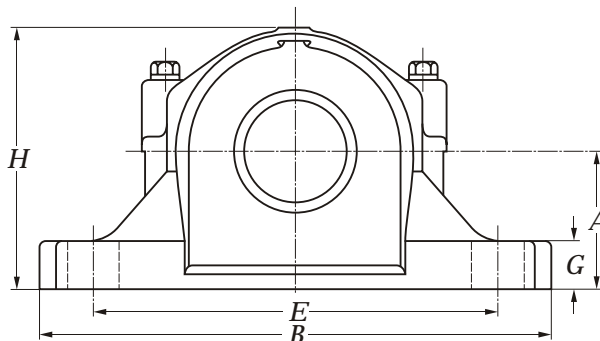


PLUMMER BLOCK HOUSING DIMENSIONS (mm)							APPROPRIATE APARTMENT				
fi	f2	u	v	s	t	WEIGHT Kg	BEARING NUMBER	LOCATING RING		FELT SEAL	END COVER
								NUMBER	QTY		
4	5.4	15	20	M 12	M 10	2.2	1306	SR 72X9	2	FS 6X6X135	306 NA
							2306	SR 72X10	1		
4	5.4	15	20	M 12	M 10	3.2	1307	SR 80X10	2	FS 6X6X165	510 NA
							2307	SR 80X10	1		
5	6.9	15	20	M 12	M 12	3.2	1308	SR 90X10	2	FS 6X9X190	511 NA-510 UA
							2308	SR 90X10	1		
5	6.9	18	23	M 16	M 12	4.8	1309	SR 100X10.5	2	FS 6X9X205	512 NA-511 UA
							2309	SR 100X10	1		
5	6.8	18	23	M 16	M 12	5.1	1310	SR 110X11.5	2	FS 6X9X220	513 NA-512 UA
							2310	SR 110X10	1		
5	6.8	18	23	M 16	M 12	6.4	1311	SR 120X12	2	FS 6X9X235	515 NA-513 UA
							2311	SR 120X10	1		
5	8.1	18	23	M 16	M 12	6.7	1312	SR 130X12.5	2	FS 8X10X255	516 NA
							2312	SR 130X10	1		
6	8.1	22	27	M 20	M 16	9.6	1313	SR 140X12.5	2	FS 8X10X270	517 NA-515 UA
							2313	SR 140X10	1		
6	8.1	22	27	M 20	M 16	13.4	1315	SR 160X14	2	FS 8X10X300	519 NA-517 UA
							2315	SR 160X10	1		
6	9.3	22	27	M 20	M 16	16.2	1316	SR 170X14.5	2	FS 9X10X320	520 NA-518 UA
							2316	SR 170X10	1		
7	10.8	26	32	M 24	M 20	18.2	1317	SR 180X14.5	2	FS 10X13X340	317 NA
							2317	SR 180X10	1		
8	10.8	26	35	M 24	M 20	18.7	1318	SR 190X15.5	2	FS 10X13X360	522 NA
							2318	SR 190X10	1		
8	10.7	26	35	M 24	M 20	23.6	1319	SR 200X16	2	FS 10X13X390	524 NA
							2319	SR 200X10	1		
8	10.7	26	35	M 24	M 20	25.7	1320	SR 215X18	2	FS 10X13X410	526 NA-519 UA
							2320	SR 215X10	1		

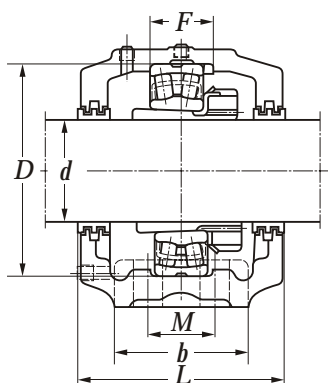


Technical Information

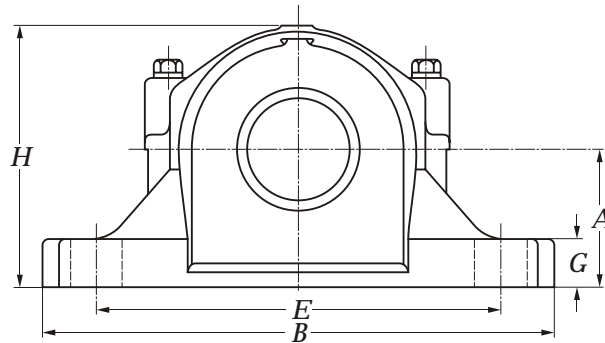
PLUMMER BLOCK HOUSINGS



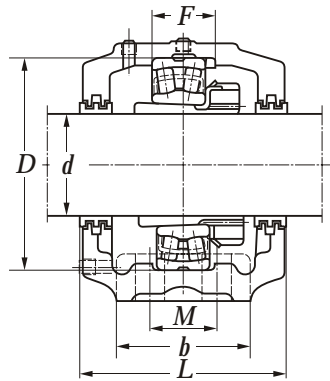
HOUSING SIZE	SHAFT DIAMETER		PLUMMER BLOCK HOUSING	PLUMMER BLOCK HOUSING DIMENSIONS (in.)							
	d (in.)			D (G7)	B	b	G	F	A	L	H
	Standard	Optional		mm				mm			
SAF 1507 SAF 22507	1-3/16	--	SAF 507	72	7-1/4	2	13/16	27	2	3-3/16	4-3/8
SAF 1509 SAF 22509	1-7/16	1-3/8, 1-1/2	SAF 509	85	8-1/4	2-3/8	13/16	29	2-1/4	3-5/8	4-3/8
SAF 1510 SAF 22510	1-11/16	1-5/8, 1-3/4	SAF 510	90	8-1/4	2-3/8	15/16	30	2-1/2	3-5/8	4-3/4
SAF 1511 SAF 22511	1-15/16	1-7/8, 2	SAF 511	100	9-5/8	2-3/4	15/16	31	2-3/4	3-7/8	5-1/32
SAF 1513 SAF 22513	2-3/16	2-1/8, 2-1/4	SAF 513	120	11	3-1/8	1	39	3	4-1/2	5-21/32
SAF 1515 SAF 22515	2-7/16	2-3/8, 2-1/2	SAF 515	130	11-1/4	3-1/8	1-1/4	37	3-1/4	4-11/16	6-1/8
SAF 1516 SAF 22516	2-11/16	2-5/8, 2-3/4	SAF 516	140	13	3-1/2	1/1/4	43	3-1/2	5-5/16	6-19/32
SAF 1517 SAF 22517	2-15/16	2-13/16, 2-7/8, 3	SAF 517	150	13	3-1/2	1-1/4	46	3-3/4	5	7-1/8
SAF 22518	3-3/16	3-1/16, 3-1/8, 3-1/4	SAF 518	160	13-3/4	3-7/8	1-5/8	50	4	5-7/8	7-9/16
SAF 22520	3-7/16	3-5/16, 3-3/8, 3-1/2	SAF 520	180	15-1/4	4-3/8	1-3/4	56	4-1/2	6-1/8	8-15/32
SAF 22522	3-15/16	3-13/16, 3-7/8, 4	SAF 522	200	16-1/2	4-3/4	2	63	4-15/16	6-1/2	9-11/32
SAF 22524	4-3/16	4-1/16, 4-1/8, 4-1/4	SAF 524	215	16-1/2	4-3/4	2-1/8	68	5-1/4	7-3/8	10-3/16
SAF 22526	4-7/16	4-5/16, 4-3/8, 4-1/2	SAF 526	230	18-3/8	5-1/4	2-3/8	74	6	8-1/8	11-5/16
SAF 22528	4-15/16	4-13/16, 4-7/8, 5	SAF 528	250	20-1/8	5-7/8	2-3/8	78	6	7-5/8	11-3/4
SAF 22530	5-3/16	5-1/8, 5-1/4	SAF 530	270	21-1/4	6-1/4	2-1/2	83	6-5/16	8-3/8	12-1/2
SAF 22532	5-7/16	5-3/8, 5-1/2	SAF 532	290	22	6-1/4	2-5/8	90	6-11/16	8-3/4	13-5/16



PLUMMER BLOCK HOUSING DIMENSIONS (in.)					APPROPRIATE APARTMENT				
<i>E</i>	<i>E</i>	<i>M</i>	Bolts	WEIGHT	BEARING NUMBER	ADAPTER	STAB	TRIPLE RING	END
Max.	Min.		(No. Req'd)	Kgs		SLEEVE	RING	SEAL	COVER
6-1/8	5-5/8	-	(2)-3/8	4.1	1207 K 22207 K	SNW 7	SR 72X10 X1 SR 72X4 X1	LER 14	EPR 3
7	6-1/4	-	(2)-1/2	5.0	1209 K 22209 K	SNW 9	SR 85X10 X1 SR 85X6 X1	LER 17	EPR 3
7	6-1/2	-	(2)-1/2	5.4	1210 K 22210 K	SNW 10	SR 90X10 X1 SR 90X7 X1	LER 20	EPR 4
7-7/8	7-3/8	-	(2)-5/8	6.4	1211 K 22211 K	SNW 11	SR 100X10 X1 SR 100X6 X1	LER 24	EPR 5
9-1/2	8-1/8	-	(2)-5/8	9.5	1213 K 22213 K	SNW 13	SR 120X8 X2 SR 120X8 X1	LER 29	EPR 6
9-5/8	8-5/8	1-7/8	(2)-5/8, (4)-1/2	10.9	1215 K 22215 K	SNW 15	SR 130X6 X2 SR 130X6 X1	LER 37	EPR 7
11	9-5/8	2-1/8	(2)-3/4, (4)-5/8	14.5	1216 K 22216 K	SNW 16	SR 140X8.5 X2 SR 140X10 X1	LER 44	EPR 8
11	9-7/8	2-1/8	(2)-3/4, (4)-5/8	15.9	1217 K 22217 K	SNW 17	SR 150X9 X2 SR 150X10 X1	LER 53	EPR 9
11-5/8	10-3/8	2-1/8	(2)-3/4, (4)-5/8	20.0	22218 K	SNW 18	SR 160X10 X1	LER 188	EPR 11
13-1/8	11-5/8	2-3/8	(2)-7/8, (4)-3/4	33.6	22220 K	SNW 20	SR 180X10 X1	LER 102	EPR 12
14-1/2	12-5/8	2-3/4	(4)-3/4	44.0	22222 K	SNW 22	SR 200X10 X1	LER 109	EPR 13
14-1/2	13-1/4	2-3/4	(4)-3/4	54.4	22224 K	SNW 24	SR 215X10 X1	LER 113	EPR 14
16	14-5/8	3-1/4	(4)-7/8	72.6	22226 K	SNW 26	SR 230X10 X1	LER 117	EPR 15
17-1/8	16	3-3/8	(4)-1	79.4	22228 K	SNW 28	SR 250X10 X1	LER 122	EPR 27
18-1/4	17	3-3/4	(4)-1	99.8	22230 K	SNW 30	SR 270X10 X1	LER 125	EPR 16
19-1/4	17-3/8	3-3/4	(4)-1	111.1	22232 K	SNW 32	SR 290X10 X1	LER 130	EPR 16

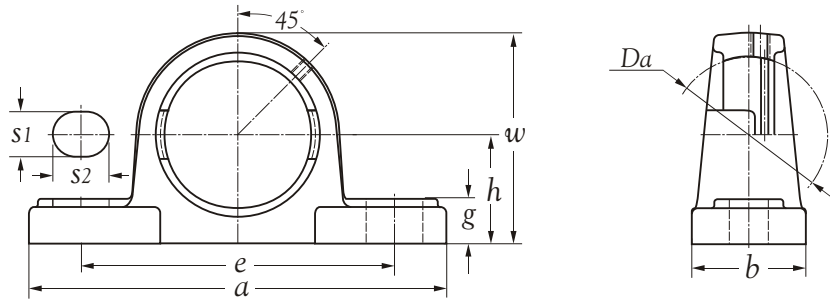


HOUSING SIZE	SHAFT DIAMETER		PLUMMER BLOCK HOUSING	PLUMMER BLOCK HOUSING DIMENSIONS (in.)							
	d (in.)			D (G7)	B	b	G	F	A	L	H
	Standard	Optional		mm				mm			
SAF 1609 SAF 22609	1-7/16	1-3/8,1-1/2	SAF 609	100	9-5/8	2-3/4	1	46	2-3/4	4-1/4	5-5/16
SAF 1610 SAF 22610	1-11/16	1-5/8,1-3/4	SAF 610	110	10-5/8	2-3/4	1-1/8	51	3	4-5/8	5-13/16
SAF 1611 SAF 22611	1-15/16	1-7/8,2	SAF 611	120	11	3-1/8	1-3/16	53	3-1/4	4-7/8	6-3/16
SAF 1613 SAF 22613	2-3/16	2-1/8,2-1/4	SAF 613	140	13	3-1/2	1-1/4	58	3-1/2	5-5/16	6-19/32
SAF 1615 SAF 22615	2-7/16	2-3/8,2-1/2	SAF 615	160	13-3/4	3-7/8	1-5/8	65	4	5-7/8	7-9/16
SAF 1616 SAF 22616	2-11/16	2-5/8,2-3/4	SAF 616	170	14-1/4	3-7/8	1-3/4	68	4-1/4	6-1/2	8-1/4
SAF 1617 SAF 22617	2-15/16	2-13/16,2-7/8,3	SAF 617	180	15-1/4	4-3/8	1-3/4	70	4-1/2	6-3/4	8-3/4
SAF 1618 SAF 22618	3-3/16	3-1/16,3-1/8,3-1/4	SAF 618	190	15-1/2	4-3/8	2	74	4-3/4	6-7/8	9-1/4
SAF 1619 SAF 22620	3-7/16	3-5/16,3-3/8,3-1/2	SAF 620	215	16-1/2	4-3/4	2-1/8	83	5-1/4	7-5/16	10-3/16
SAF 1621 SAF 22622	3-15/16	3-13/16,3-7/8,4	SAF 622	240	18-3/8	5-1/4	2-3/8	90	6	8-1/8	11-5/16



PLUMMER BLOCK HOUSING DIMENSIONS (in.)					APPROPRIATE APARTMENT				
<i>E</i> Max.	<i>E</i> Min.	<i>M</i>	Bolts (No. Req'd)	WEIGHT Kgs	BEARING NUMBER	ADAPTER SLEEVE	STAB RING	TRIPLE RING SEAL	END COVER
7-7/8	7-3/8	-	(2)-5/8	7.7	1309 K 22309 K	SNW 109	SR 100X10.5 X2 SR 100X10 X1	LER 17	EPR 2
9	7-3/4	-	(2)-5/8	10.0	1310 K 22310 K	SNW 110	SR 110X12 X2 SR 110X11 X1	LER 20	EPR 4
9-1/2	8-1/8	2	(2)-5/8,(4)-1/2	12.2	1311 K 22311 K	SNW 111	SR 120X12 X2 SR 120X10 X1	LER 24	EPR 5
11	9-5/8	2-1/8	(2)-3/4,(4)-5/8	17.7	1313 K 22313 K	SNW 113	SR 140X12.5 X2 SR 140X10 X1	LER 32	EPR 7
11-5/8	10-3/8	2-1/8	(2)-3/4,(4)-5/8	24.9	1315 K 22315 K	SNW 115	SR 160X14 X2 SR 160X10 X1	LER 37	EPR 7
12-5/8	10-5/8	2-1/8	(2)-3/4,(4)-5/8	29.9	1316 K 22316 K	SNW 116	SR 170X14.5 X2 SR 170X10 X1	LER 44	EPR 8
13-1/8	11-5/8	2-3/8	(2)-7/8,(4)-3/4	39.5	1317 K 22317 K	SNW 117	SR 180X14.5 X2 SR 180X10 X1	LER 184	EPR 10
13-1/2	12	2-1/4	(4)-3/4	44.0	1318 K 22318 K	SNW 118	SR 190X15.5 X2 SR 190X10 X1	LER 188	EPR 11
14-1/2	13-1/4	2-3/4	(4)-3/4	56.7	1320 K 22320 K	SNW 120	SR 215X18 X2 SR 215X10 X1	LER 102	EPR 12
16	14-5/8	3-1/4	(4)-7/8	74.8	1322 K 22322 K	SNW 122	SR 240X20 X2 SR 240X10 X1	LER 109	EPR 13

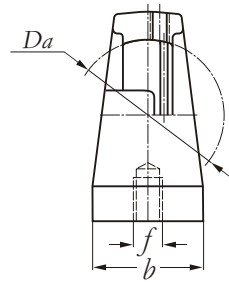
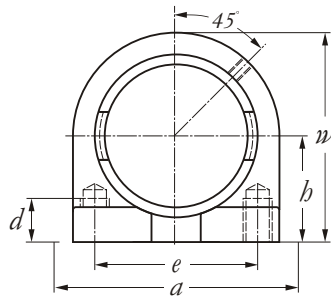
Technical Information



Inner bore Da mm	Housing number	Nominal dimensions mm								Available Bearing No.	Mass kg
		h	a	e	b	s_1	s_2	g	w		
47	SP 204	33.3	126	95.0	38	11.0	18	15.1	65.1	SUC 204	0.69
52	SP 205	36.5	141	105.0	38	13.0	18	16.0	70.0	SUC 205	0.74
62	SP 206	42.9	165	121.0	48	14.5	21	18.0	83.0	SUC 206	1.29
72	SP 207	47.6	167	127.0	48	14.5	22	19.0	94.0	SUC 207	1.42
80	SP 208	49.2	184	136.5	54	14.5	22	19.0	100.0	SUC 208	1.82
85	SP 209	54.0	191	146.0	54	15.0	21	20.0	109.0	SUC 209	2.09
90	SP 210	57.2	206	159.0	60	18.0	24	22.0	114.0	SUC 210	2.38



Technical Information

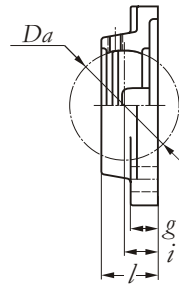
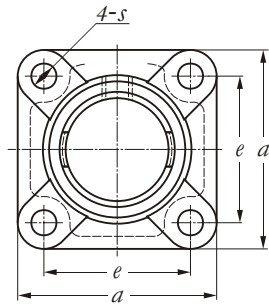


Inner bore <i>Da</i> mm	Housing number	Nominal dimensions mm							Available Bearing No.	Mass kg
		<i>b</i>	<i>a</i>	<i>e</i>	<i>b</i>	<i>w</i>	<i>f</i>	<i>d</i>		
47	SPA 204	33.3	73	50.8	38	65	3/8"-16	13	SUC 204	0.69
52	SPA 205	36.5	76	50.8	38	70	3/8"-16	13	SUC 205	0.74
62	SPA 206	42.9	102	76.2	38	86	7/16"-14	16	SUC 206	1.29
72	SPA 207	47.6	108	82.6	48	95	1/2"-13	19	SUC 207	1.42
80	SPA 208	49.2	117	88.9	48	100	1/2"-13	19	SUC 208	1.82
85	SPA 209	54.0	127	95.3	51	108	1/2"-13	19	SUC 209	2.09
90	SPA 210	57.2	140	102.0	51	117	5/8"-11	22	SUC 210	2.38



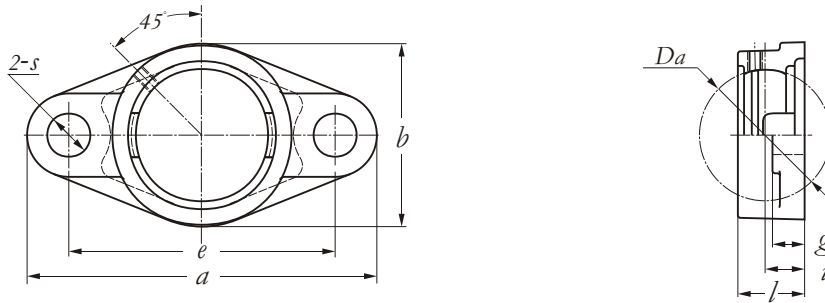


Technical Information



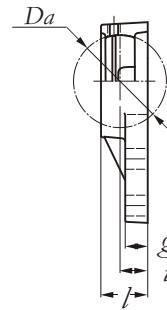
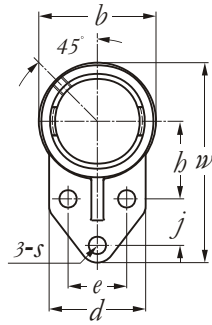
Inner bore D_a mm	Housing number	Nominal dimensions mm						Available Bearing No.	Mass kg
		a	e	i	l	g	s		
47	SF 204	86	64	15.1	25.4	12.0	11.1	SUC 204	0.47
52	SF 205	95	70	15.9	27.0	14.0	11.5	SUC 205	0.65
62	SF 206	108	83	17.9	30.0	14.0	13.1	SUC 206	0.85
72	SF 207	118	92	19.1	33.0	14.3	13.1	SUC 207	1.03
80	SF 208	130	102	21.0	36.0	14.3	14.0	SUC 208	1.38
85	SF 209	137	105	21.8	38.0	14.3	16.0	SUC 209	1.50
90	SF 210	143	111	21.8	39.0	15.1	16.0	SUC 210	1.63

Technical Information



Inner bore D_a mm	Housing number	Nominal dimensions mm							Available Bearing No.	Mass kg
		a	e	i	b	l	g	s		
47	SFL 204	112	90.0	15.1	60	25.4	11.5	10	SUC 204	0.32
52	SFL 205	125	99.0	15.9	68	27.0	13.0	12	SUC 205	0.44
62	SFL 206	141	117.0	17.9	80	30.0	13.0	12	SUC 206	0.58
72	SFL 207	156	130.2	19.1	90	33.0	14.3	13	SUC 207	0.74
80	SFL 208	170	144.0	21.0	100	36.0	14.3	13	SUC 208	0.99
85	SFL 209	180	148.4	21.8	108	38.0	14.3	15	SUC 209	1.16
90	SFL 210	190	157.2	21.8	115	39.0	15.1	15	SUC 210	1.36

Technical Information

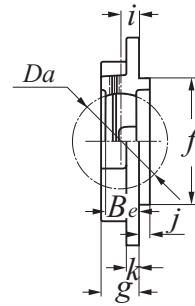
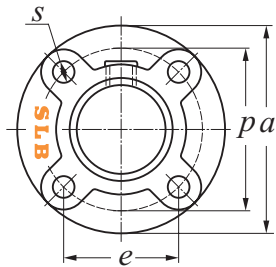


Inner bore <i>Da</i> mm	Housing number	Nominal dimensions mm										Available Bearing No.	Mass kg
		<i>w</i>	<i>b</i>	<i>d</i>	<i>l</i>	<i>i</i>	<i>g</i>	<i>s</i>	<i>e</i>	<i>j</i>	<i>b</i>		
47	SFB 204	108	63	60	25.4	16	8.0	9.9	38.1	22.2	42.9	SUC 204	0.39
52	SFB 205	121	70	64	29.0	17	9.5	9.9	41.3	28.6	46.0	SUC 205	0.54
62	SFB 206	137	83	70	32.0	19	9.5	9.9	47.6	31.8	52.4	SUC 206	0.77
72	SFB 207	156	95	83	37.0	21	13.5	13.1	50.8	31.8	60.3	SUC 207	1.16
80	SFB 208	164	100	78	34.0	21	16.0	11.1	50.0	41.0	60.0	SUC 208	1.65
85	SFB 209	174	106	80	34.0	21	18.0	11.1	54.0	42.9	65.0	SUC 209	1.91
90	SFB 210	191	118	102	38.0	21	13.0	13.1	69.9	41.3	74.6	SUC 210	2.34





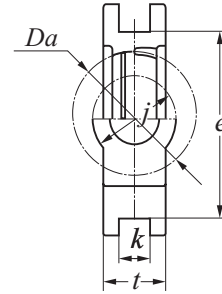
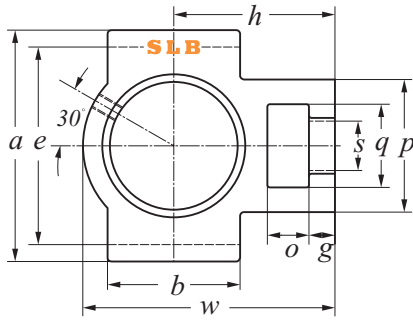
Technical Information



Inner bore <i>Da</i> mm	Housing number	Nominal dimensions mm										Available Bearing No.	Mass kg
		<i>a</i>	<i>e</i>	<i>p</i>	<i>s</i>	<i>i</i>	<i>f</i>	<i>g</i>	<i>j</i>	<i>k</i>	<i>Be</i>		
47	SFC 204	100	55.1	78	12	10	62	20.5	5	7	17	SUC 204	0.84
52	SFC 205	115	63.6	90	12	10	70	21.0	6	7	19	SUC 205	1.10
62	SFC 206	125	70.7	100	12	10	80	23.0	8	8	20	SUC 206	1.45
72	SFC 207	135	77.8	110	14	11	90	26.0	8	9	21	SUC 207	1.71
80	SFC 208	145	84.8	120	14	11	100	26.0	10	9	22	SUC 208	1.87
85	SFC 209	160	93.3	132	16	10	105	26.0	12	14	23	SUC 209	2.86
90	SFC 210	165	97.6	138	16	10	110	28.0	12	14	24	SUC 210	3.08



Technical Information

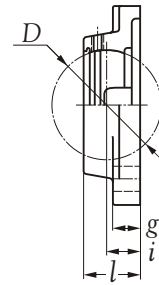
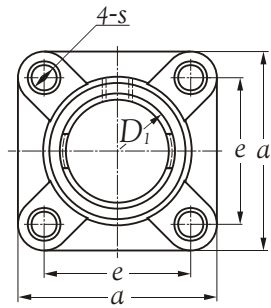


Inner bore Da mm	Housing number	Nominal dimensions mm													Available Bearing No.	Mass kg
		a	e	p	q	s	g	o	b	h	w	k	l	j		
47	ST 204	89	76	51	32	19	10	16	51	61	94	12	21	32	SUC 204	0.70
52	ST 205	89	76	51	32	19	10	16	51	62	97	12	24	32	SUC 205	0.81
62	ST 206	102	89	56	37	22	10	16	57	70	113	12	28	37	SUC 206	1.16
72	ST 207	102	89	64	37	22	13	16	64	78	129	12	30	37	SUC 207	1.38
80	ST 208	114	102	83	49	29	16	19	83	88	144	16	33	49	SUC 208	2.09
85	ST 209	117	102	83	49	29	16	19	83	87	144	16	35	49	SUC 209	2.23
90	ST 210	117	102	83	49	29	16	19	86	90	149	16	37	49	SUC 210	2.42





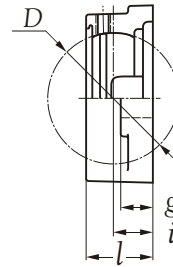
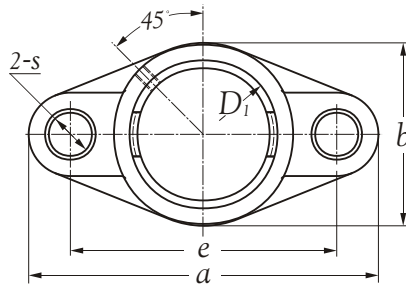
Technical Information



Inner bore D mm	Housing number	Nominal dimensions mm						
		a	e	g	I	S	I	D_i
47	F 204	86	64	13	28	11	16.7	50.0
52	F 205	95	70	14	28	11	17.0	55.0
62	F 206	108	83	14	32	11	19.0	64.0
72	F 207	118	92	16	35	13	21.0	74.5
80	F 208	130	102	17	37	14	23.0	84.0



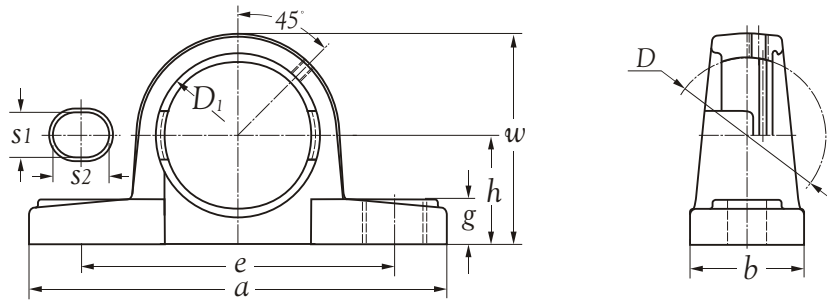
Technical Information



Inner bore D mm	Housing number	Nominal dimensions mm							
		a	e	b	g	L	S	I	D_1
47	SFL 204	113	89.7	64	11	26	11	15	50.0
52	SFL 205	130	98.8	70	13	29	11	17	55.0
62	SFL 206	148	116.7	80	13	31	11	19	64.0
72	SFL 207	164	130.2	90	16	33	13	18	74.5
80	SFL 208	175	143.7	100	20	37	14	21	84.0



Technical Information

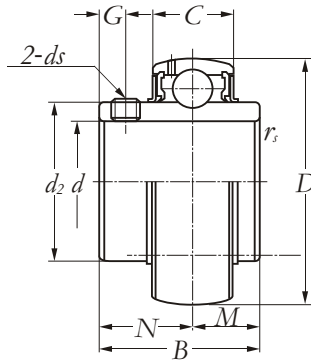


Inner bore <i>D</i> mm	Housing number	Nominal dimensions mm								
		<i>h</i>	<i>a</i>	<i>e</i>	<i>b</i>	<i>S</i> ₁	<i>S</i> ₂	<i>g</i>	<i>c</i>	<i>D</i> ₁
47	P 204	33.3	127	95	38	11	14	14	66	50.0
52	P 205	36.5	140	105	38	11	14	14	71	55.0
62	P 206	42.9	163	119	46	14	18	18	84	64.0
72	P 207	47.6	168	127	48	14	18	18	94	74.5
80	P 208	49.2	184	137	54	14	20	20	99	84.0



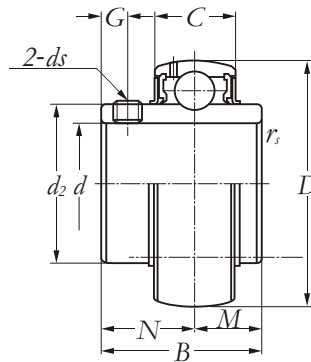


Technical Information



Shaft dia. mm inch	Bearing number	Nominal dimensions										Basic load ratings		Weight Kg
		mm		inch		mm		inch		mm		dynamic Cr	static Cor	
		d	D	B	C	d ₂	r _s	N	M	G	d _s			
12 1/2	SUC 201	12	47	31.0	17	28.3	1.5	12.7	18.3	5	M6x0.75	12.84	6.65	0.21
	SUC 201-8	0.5000	1.8504	1.2205	0.6693	1.1142	0.0591	0.5000	0.7205	0.1969	1/4-28	12.84	6.65	0.21
15 9/16	SUC 202	15	47	31.0	17	28.3	1.5	12.7	18.3	5	M6x0.75	12.84	6.65	0.20
	SUC 202-10	0.5625	1.8504	1.2205	0.6693	1.1142	0.0591	0.5000	0.7205	0.1969	1/4-28	12.84	6.65	0.20
17 11/16	SUC 203	17	47	31.0	17	28.3	1.5	12.7	18.3	5	M6x0.75	12.84	6.65	0.19
	SUC 203-11	0.6875	1.8504	1.2205	0.6693	1.1142	0.0591	0.5000	0.7205	0.1969	1/4-28	12.84	6.65	0.19
20 3/4	SUC 204	20	47	31.0	17	28.3	1.5	12.7	18.3	5	M6x0.75	12.84	6.65	0.17
	SUC 204-12	0.7500	1.8504	1.2205	0.6693	1.1142	0.0591	0.5000	0.7205	0.1969	1/4-28	12.84	6.65	0.18
25 13/16 7/8 1	SUC 205	25	52	34.1	17	34.0	1.5	14.3	19.8	5	M6x0.75	14.02	7.88	0.21
	SUC 205-14	0.8125												0.23
	SUC 205-15	0.8750	2.0472	1.3425	0.6693	1.3386	0.0591	0.5630	0.7795	0.1969	1/4-28	14.02	7.88	0.22
30 1-1/16 1-1/8 1-3/16 1-1/4	SUC 205-16	1.0000												0.20
	SUC 206	30	62	38.1	19	40.3	1.5	15.9	22.2	5	M6x0.75	19.46	11.31	0.32
	SUC 206-17	1.0625												0.36
	SUC 206-18	1.1250	2.4409	1.5000	0.7480	1.5866	0.0591	0.6260	0.8740	0.1969	1/4-28	19.46	11.31	0.34
35 1-1/4 1-7/16 1-3/8 1-7/16	SUC 206-19	1.1875												0.31
	SUC 206-20	1.2500												0.30
	SUC 207	35	72	42.9	20	46.9	2.0	17.5	25.4	6.5	M8x1	25.67	15.30	0.47
	SUC 207-20	1.2500												0.53
40 1-1/2 1-9/16	SUC 207-21	1.4375	2.8346	1.6890	0.7874	1.8465	0.0787	0.6890	1.0000	0.3150	5/16-24	25.67	15.30	0.51
	SUC 207-22	1.3750												0.48
	SUC 207-23	1.4375												0.45
	SUC 208	40	80	49.2	21	52.4	2.0	19.0	30.2	8	M8x1	29.52	18.14	0.64
45 1-5/8 1-11/16 1-3/4	SUC 208-24	1.5000	3.1496	1.9370	0.8268	2.0630	0.0787	0.7480	1.1890	0.3150	5/16-24	29.52	18.14	0.68
	SUC 208-25	1.5625												0.65
50 1-13/16 1-7/8 1-15/16 2	SUC 209	45	85	49.2	22	57.4	2.0	19.0	30.2	8	M8x1	31.67	20.68	0.68
	SUC 209-26	1.6250												0.78
	SUC 209-27	1.6875	3.3465	1.9370	0.8661	2.2598	0.0787	0.7480	1.1890	0.3150	5/16-24	31.67	20.68	0.74
50 1-13/16 1-7/8 1-15/16 2	SUC 209-28	1.7500												0.70
	SUC 210	50	90	51.6	24	61.8	2.0	19.0	32.6	10	M10x1.25	35.07	23.18	0.80
	SUC 210-29	1.8125												0.91
50 1-13/16 1-7/8 1-15/16 2	SUC 210-30	1.8750	3.5433	2.0315	0.9449	2.4331	0.0787	0.7480	1.2835	0.3937	3/8-24	35.07	23.18	0.87
	SUC 210-31	1.9375												0.82
	SUC 210-32	2.0000												0.78





Shaft dia. mm inch	Bearing number	Nominal dimensions										Basic load ratings		Weight Kg
		mm		inch		mm		inch		mm		kN		
		<i>d</i>	<i>D</i>	<i>B</i>	<i>C</i>	<i>d</i> ₂	<i>r</i> _s	<i>N</i>	<i>M</i>	<i>G</i>	<i>d</i> _s	dynamic <i>C</i> _r	static <i>C</i> _{or}	
55	SUC 211	55	100	55.6	25	68.7	2.0	22.2	33.4	10	M10x1.25	43.38	29.23	1.12
2	SUC 211-32	2.0000												1.27
2-1/16	SUC 211-33	2.0625	3.9370	2.1890	0.9843	2.7047	0.0787	0.8740	1.3150	0.3937	3/8-24	43.38	29.23	1.22
2-1/8	SUC 211-34	2.1250												1.17
2-3/16	SUC 211-35	2.1875												1.10
60	SUC 212	60	110	65.1	27	75.7	2.5	25.4	39.7	10	M10x1.25	47.76	32.93	1.53
2-1/4	SUC 212-36	2.2500												1.67
2-5/16	SUC 212-37	2.3125	4.3307	2.5630	1.0630	2.9803	0.0984	1.0000	1.5630	0.3937	3/8-24	47.76	32.93	1.60
2-3/8	SUC 212-38	2.3750												1.51
2-7/16	SUC 212-39	2.4375												1.45